

Pallet Stoppers

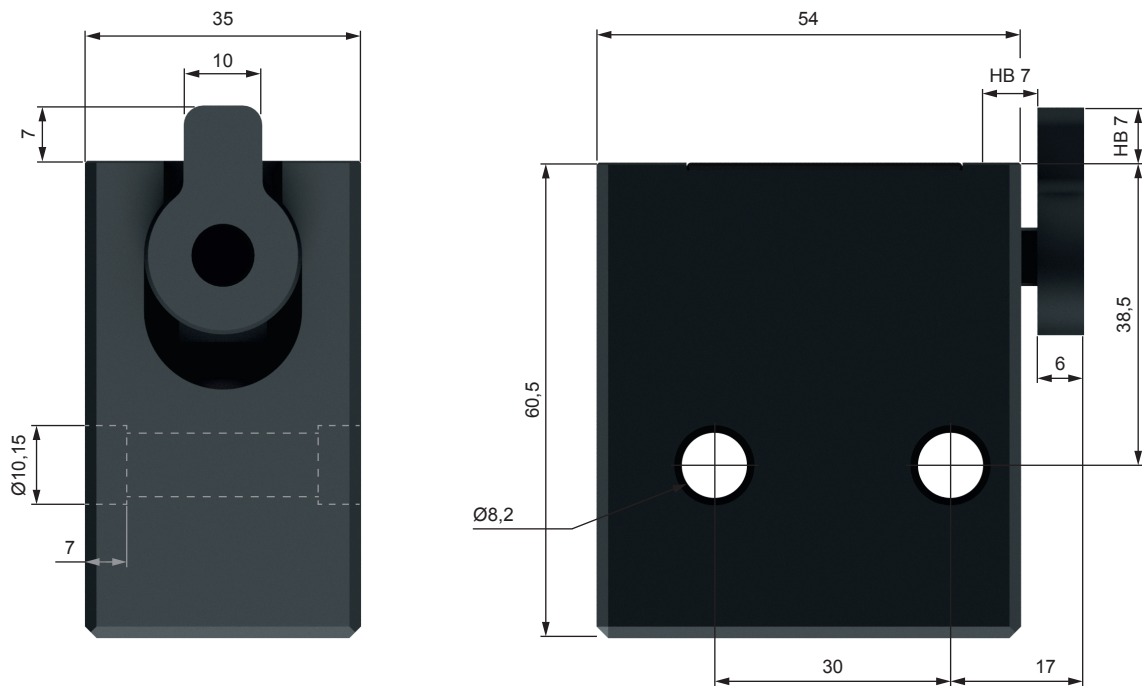
with pneumatic damping

WPS-A 15



ONLINE
2D / 3D CAD Download





PERFORMANCE

Speed		6 m/min	9 m/min	12 m/min	18 m/min	24 m/min	30 m/min	36 m/min	50 m/min
WPS-A 15	Mass (kg)	0,25 - 15	0,25 - 10	0,25 - 9	0,25 - 7	0,25 - 6	0,25 - 4	0,25 - 2	0,25 - 1

FRICION

	Mass	Friction	Propelling force
WPS-A 15	0,25 - 15 kg	0,07 μ	min. 3 N

MASS SPECIFICATIONS

Masses are based on the total weight (pallet and workpieces), these are determined at a belt friction of 0,07 μ .

Benefits

- Precise deceleration and singulation of pallets
- Adjustable pneumatic deceleration with pneumatic piston return
- Masses up to 60kg and speeds up to 50 m/min
- Housing: aluminium, black anodized, guide rod: hard anodized
- Hardened stop
- Sensor for end position (optional)
- Special version: pallet stopper for clean room Cl. 5 (ISO), Cl. 100 (US), Cl. 3 (VDI)
- RoHS compliant Directive 2002/95/EC

Technical Data

Working Pressure	4 - 8 bar
Compressed Air	treated
Tube Diameter	6 - 8 mm
Stroke horizontal:	7 mm
Stroke vertical:	7 mm

Function: single-active
open: pneumatic
close: spring force

Pull down force (- spring force): 140 N at 6 bar

Air consumption: ca. 0,01air/min per stroke

Operation - Air
Pneumatic, filtered air: dry, oiled or unoled
Pressurized air according ISO in 8573-1: Grade 4

Temperature
-10 °C bis +80 °C

Technical Data

Maximum traffic jam pressure

- Depending on friction between pallet and transfer system
- Depending on friction between pallet and the poster
- Depending on the position of the pallet's poster
- Depending on the surroundings conditions

Enquiry options

The WPS-A 15 has mounting holes for various electronic queries. These query options identify the positions of the stop.

Maintenance

No maintenance works must be carried out.

Compressed air: dry, oiled or unoled; after ISO in 8573-1: Grade 4.

The area around the pallet stopper must be cleaned and free from shavings, to be able to guarantee exact positioning of the tool bearer.

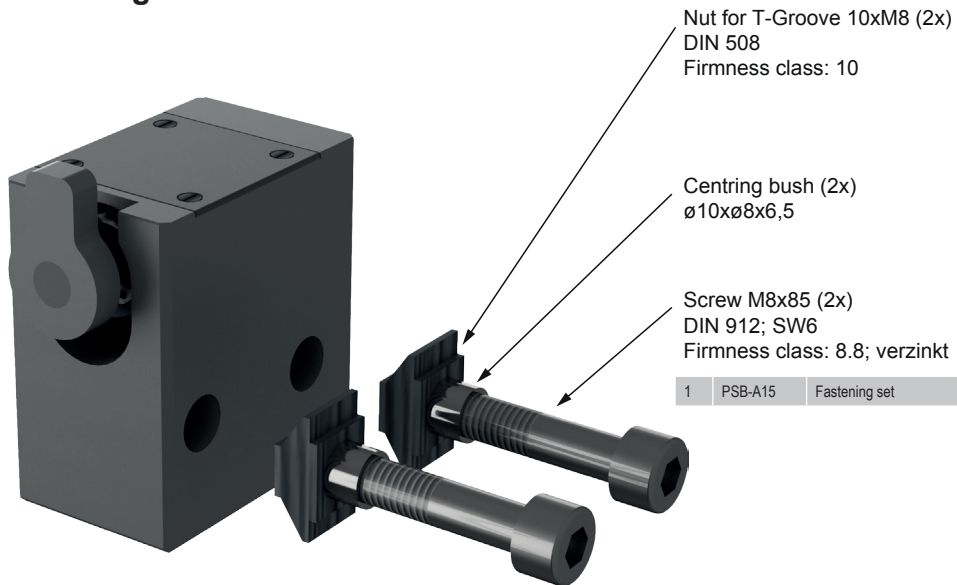
Piston diameter (for lowering)

WPS-A 15 Piston Ø20

Accessories

Mounting

Connection clause PSB-A 15



Nut for T-Groove 10xM8 (2x)
DIN 508
Firmness class: 10

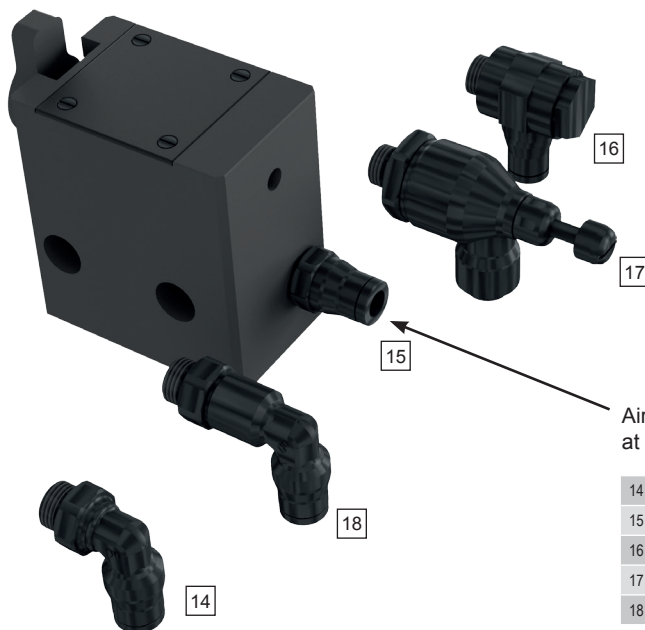
Centring bush (2x)
ø10xø8x6,5

Screw M8x85 (2x)
DIN 912; SW6
Firmness class: 8.8; verzinkt

1	PSB-A15	Fastening set
---	---------	---------------

-The palette stopper is
on both sides mountable

Air Connection

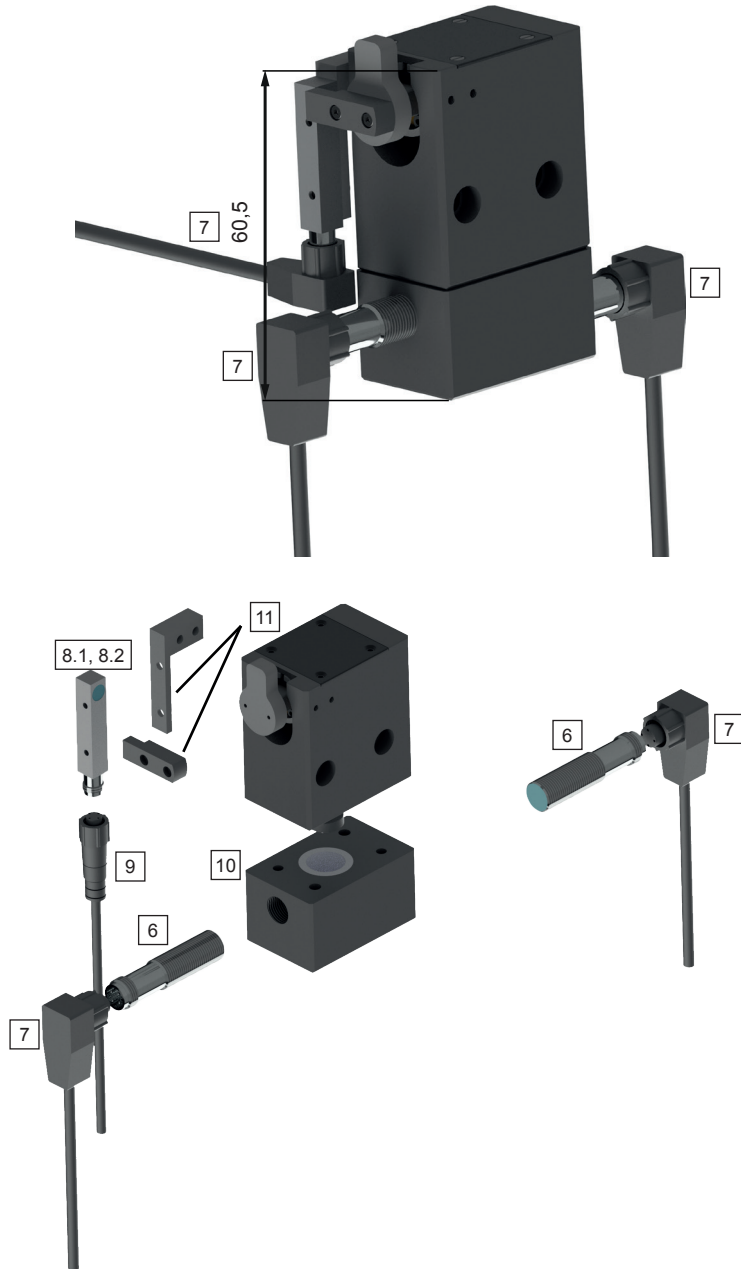


Air Connection G1/8
at the back side

14	VW1/8-6	G1/8-6 Stud elbow
15	VGR1/8-6	G1/8-6 Male stud
16	VWS1/8-6	G1/8-6 Single banjo
17	VDR1/8-6	G1/8-6 Flow control regulator
18	VWL1/8-6	G1/8-6 Stud elbo, extended

Accessories

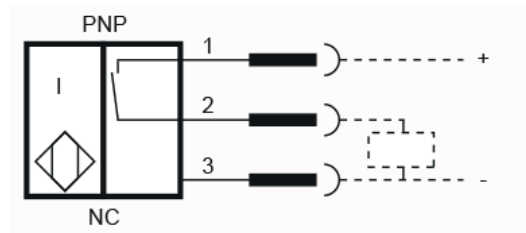
Sensors



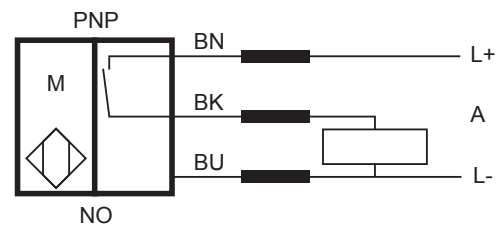
6	N 20	Sensor with plug M12x1, induktiv
7	KS60	Cable with angle plug, Ø12mm
8.1	N 31	Sensor with plug, induktiv
8.2	N 30	Sensor with cable 2,5m, induktiv
9	KS50	Cable with plug Ø8mm
10	PSA15-15	Position bracket WPS-A15
11	PSA15-16	Position bracket WPS-A15

Accessories

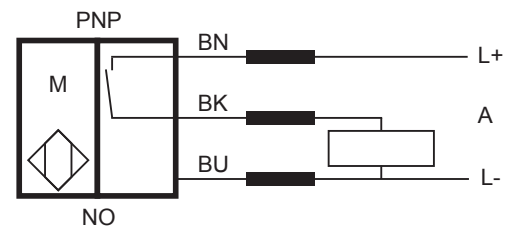
Proximity switch N20



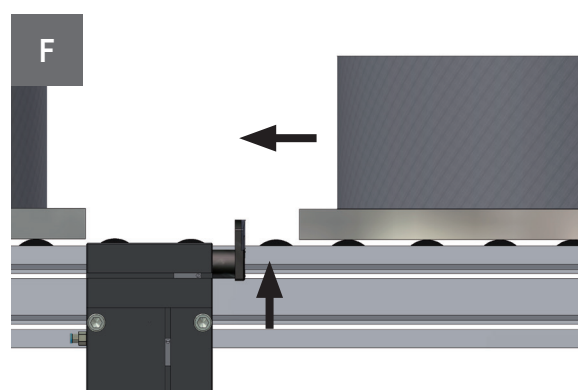
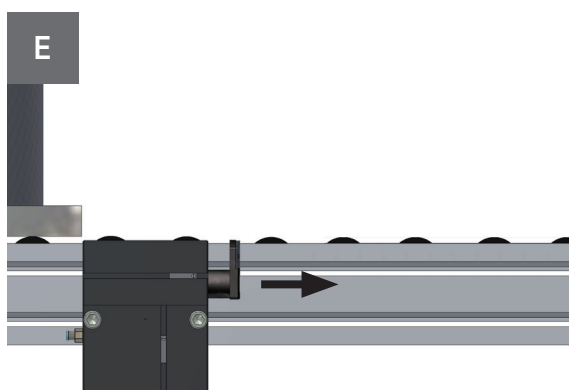
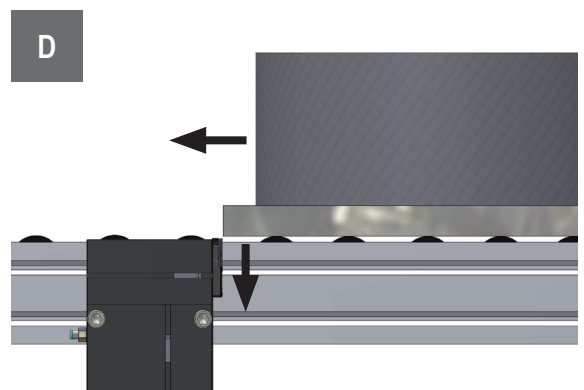
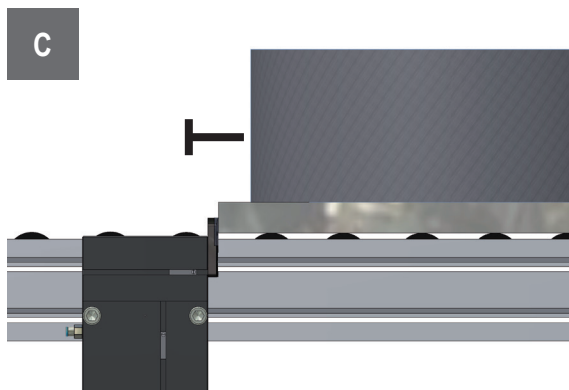
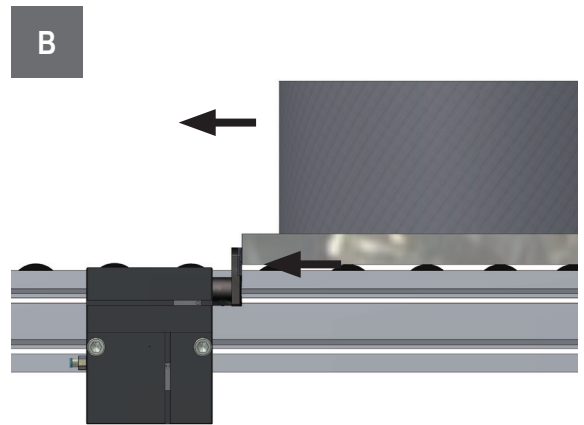
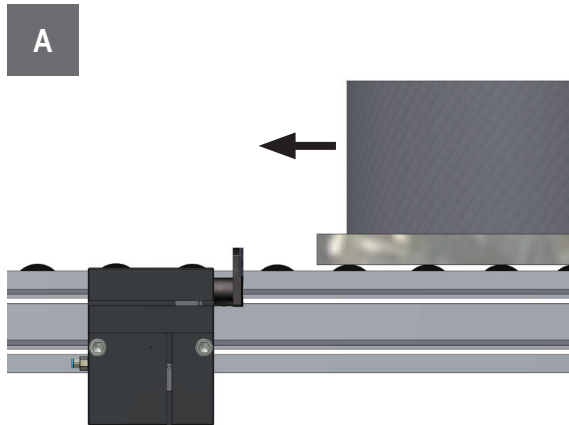
Proximity switch N30



Proximity switch N31



Working Principle



Safety Instructions

Attention

For all work on or with the pallet stopper WPS, the data sheet must be observed.
The work must be performed by trained, skilled personal.

Electrical connections must be in accordance with VDE0100 or the relevant national regulations.

Repair and maintenance:

Electricity and compressed air must be shut down.
The work area is to prevent against accidentally switch on of electricity and compressed air.

Reference temperature for all technical information: 20°C
At a higher temperatures the energy absorption or torque is reduced.

Maximum load:

If multiple pallets piled up in the transfer system and later given free individual, it must be ensured that when releasing the first pallet, the total mass of the following palettes exceed the maximum weight to be stopped at any time (see table: Performance)

Designated use

Stopping and positioning of one or several pallet(s) at the stop plate of the pallet.
The pallet stopper WPS-A 15 is designed for the separation of pallets.
A load may occur only in the direction of work.
The pallet stopper WPS-A 15 is not suitable for explosion-threatened areas.
Without written acceptance of Weforma the WPS-A 15 can not be used as a safety device.
The position of the stop must be detected.

Liability - Guarantee

All warranty and liability claims expire at non-designated use.
This applies even if no original spare parts are used.

Environment protection

The replacement of worn parts must be paid to proper disposal.
Wearing parts and complete stopper can be sent to Weforma for free disposal.