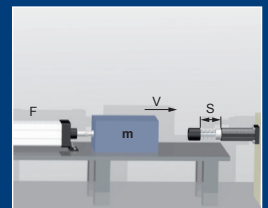


Shock Absorbers

Mega-Line WS-M / WP-M 3,0



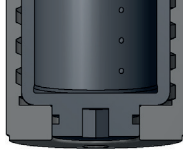
ONLINE
Calculation +
2D / 3D CAD Download



Benefits

Helix-Principle:

- Max. +300% Energy
- Max. -50% Costs / Nm



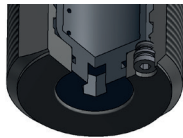
Pro Adjust:

- Protected adjustment



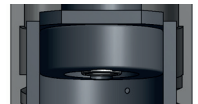
ProTec:

- Solid body without retaining ring



Piston:

- Hardened, Aluminium-Titanium-Nitride coated
- Special seals + oils



Extended life cycle:

- Nitrated guidance system

Integrated end stop:

- Max. security

Models:

- Black finish

Temperature:

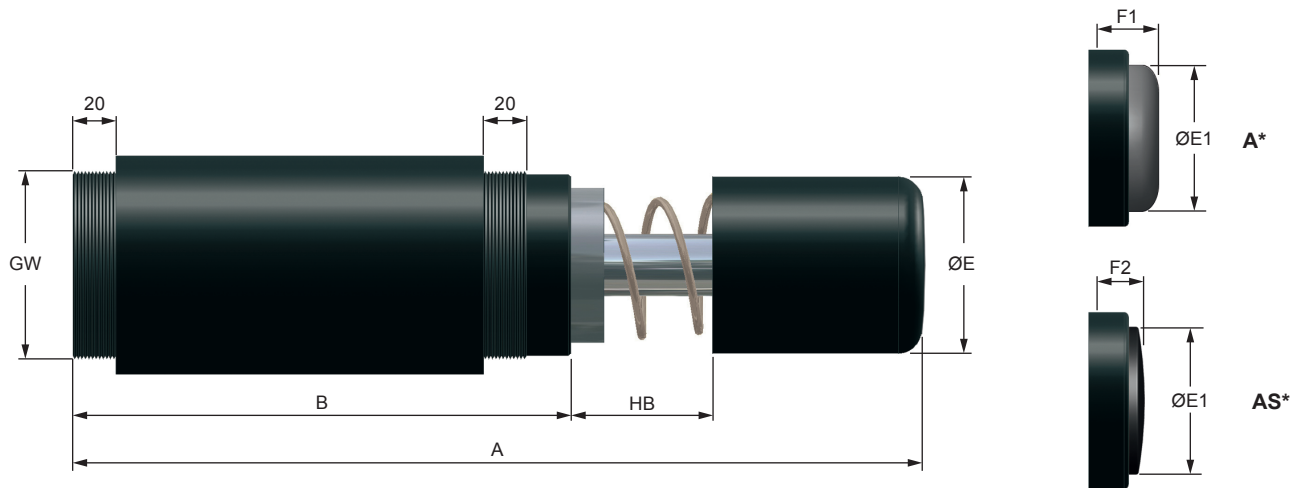
Standard: -20°C-...+80°C

Low temperature: -50°C-...+60°C

High temperature: 0°C-...+120°C

Special edition :

- ProSurf
- V4A(/DIN1.440/AISL 316L)
- For pressure chambers up to 7 bar
- USDA-H 1 compliant for food industry
- Cleanroom



*A: PU / AS: Steel
Add "A / AS" after the part no.

DIMENSIONS

	GW	A	B	ø E	ø E1	F1	F2
		mm	mm	mm	mm	mm	mm
WS-M 3,0 x 2	M 85 x 2	319	225	80	66	25	15
WP-M 3,0 x 2	M 85 x 2	319	225	80	66	25	15
WS-M 3,0 x 4	M 85 x 2	419	275	80	66	25	15
WP-M 3,0 x 4	M 85 x 2	419	275	80	66	25	15
WS-M 3,0 x 6	M 85 x 2	569	325	80	66	25	15
WP-M 3,0 x 6	M 85 x 2	569	325	80	66	25	15
WS-M 3,0 x 8	M 85 x 2	669	375	80	66	25	15
WP-M 3,0 x 8	M 85 x 2	669	375	80	66	25	15
WS-M 3,0 x 10	M 85 x 2	769	425	80	66	25	15
WP-M 3,0 x 10	M 85 x 2	769	425	80	66	25	15

PERFORMANCE

	Stroke	Energy absorption			Effective mass			
		Constant load*		External tank**	-1 (soft)	-2 (medium)	-3 (hard)	-4 (very hard)
		Nm/HB (max.)			Nm/h (max.)	Nm/h	min. - max.kg	min. - max.kg
WS-M 3,0 x 2	50	4000	1200000	1500000	695 - 2480	2000 - 6050	5550 - 15400	12500 - 40000
WP-M 3,0 x 2	50	4000	1200000	1500000	165 - 500	400 - 3550	2800 - 22000	-
WS-M 3,0 x 4	100	9000	1800000	2250000	1750 - 5550	4500 - 13600	12500 - 34700	28800 - 88000
WP-M 3,0 x 4	100	9000	1800000	2250000	360 - 1125	890 - 8000	6300 - 50000	-
WS-M 3,0 x 6	150	14000	2100000	2625000	3710 - 11700	7000 - 21200	19500 - 54000	44500 - 138200
WP-M 3,0 x 6	150	14000	2100000	2625000	555 - 1750	1380 - 12400	9700 - 77700	-
WS-M 3,0 x 8	200	19000	2660000	3325000	2750 - 8640	7500 - 28700	26400 - 73300	59400 - 187600
WP-M 3,0 x 8	200	19000	2660000	3325000	750 - 2375	1870 - 16800	13100 - 105000	-
WS-M 3,0 x 10	250	24000	2880000	3600000	4680 - 14800	12000 - 36200	33300 - 92600	75000 - 237300
WP-M 3,0 x 10	250	24000	2880000	3600000	950 - 3000	2370 - 21300	16600 - 133300	-

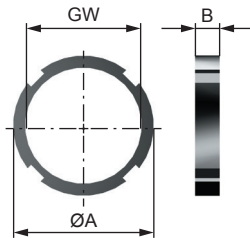
Technical data at + 20°C

Technical Data

Weight	3,0 x 2:	7 kg
	3,0 x 4:	9 kg
	3,0 x 6:	12 kg
	3,0 x 8:	15 kg
	3,0 x 10:	20 kg
Impact speed	WS-M:	0,10 - 6,0 m/s
	WP-M:	0,40 - 8,0 m/s
Return spring force	3,0 x 2 :	120 N/min - 200 N/max
	3,0 x 4 :	120 N/min - 250 N/max
	3,0 x 6 :	170 N/min - 250 N/max
	3,0 x 8 :	170 N/min - 250 N/max
	3,0 x 10 :	170 N/min - 280 N/max
Housing	Black finish	
Piston rod	Hardened stainless steel	
RoHS - compliant	Directive 2002/95/EG	

Accessories

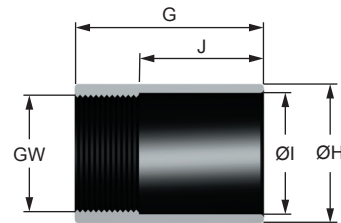
Lock nut



GW	Ø A (mm)	B (mm)
M 85 x 2	99	10

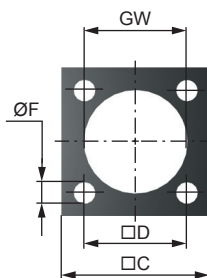
Code.: S26012

Stop limit nut



	Code	GW	G (mm)	Ø H (mm)	Ø I (mm)	J (mm)
3,0x2 - 3,0x4	S26018	M 85 x 2	85	100	83	63
3,0x2A - 3,0x4A	S26018A	M 85 x 2	110	100	83	88
3,0x6 - 3,0x10	S26218	M 85 x 2	135	100	83	113
3,0x6A - 3,0x10A	S26218A	M 85 x 2	160	100	83	138

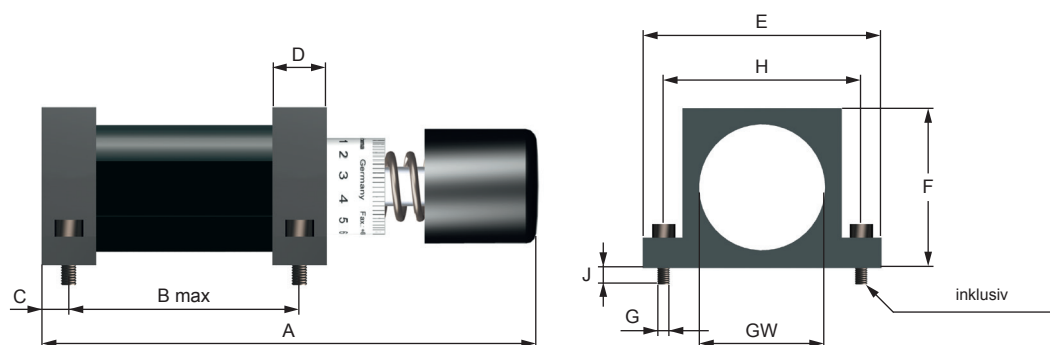
Square flange



GW	C	D	Ø F	T
	mm	mm	mm	mm
M 85 x 2	140	111	17	20

Code.: S26014

Foot mounting



Code: S26015

	GW	A	B max	C	D	E	F	G	H	J
		mm	mm	mm	mm	mm	mm	mm	mm	mm
3,0 x 2	M85 x 2	319	186	10	20	157	105	M12	134	20
3,0 x 4	M85 x 2	419	286	10	20	157	105	M12	134	20
3,0 x 6	M85 x 2	569	286	10	20	157	105	M12	134	20
3,0 x 8	M85 x 2	669	336	10	20	157	105	M12	134	20
3,0 x 10	M85 x 2	769	386	10	20	157	105	M12	134	20

Clevis mounting on demand

Adjustment

The shock absorbers Mega-Line 3,0 are self-compensating.

Damping characteristics:

WS-M - self-compensating, linear

WP-M - self-compensating, progressive

The attenuation factor are available by default:

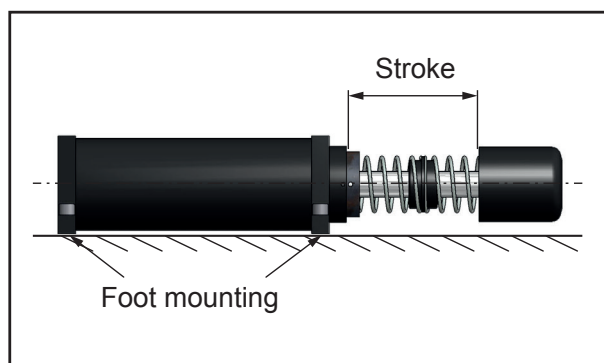
- 0 - very soft
- 1 - soft
- 2 - medium
- 3 - hard
- 4 - very hard

The damping level is calculated with the formula for the effective mass. (see calculation in the catalog)

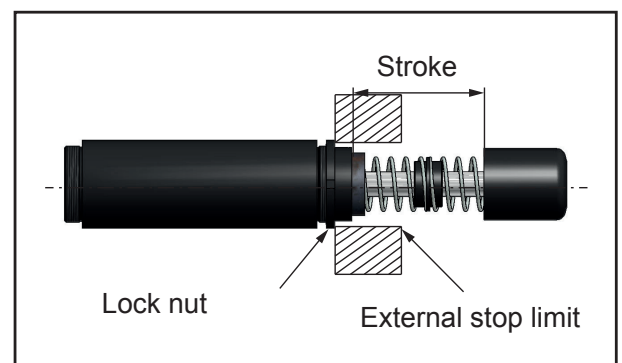
If the mass in a trial run impacts excessively hard on the fixed stop select the next harder model. If the mass impacts too hard on the shock absorber choose a softer version.

Installation

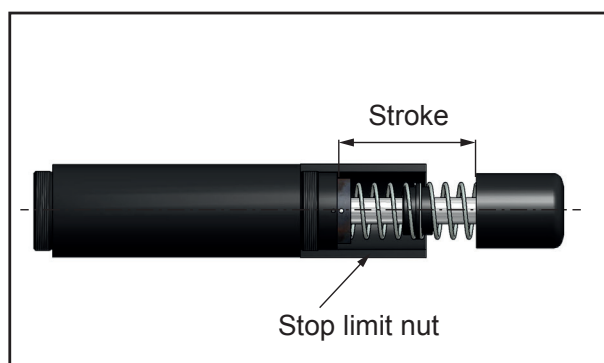
Foot mounting



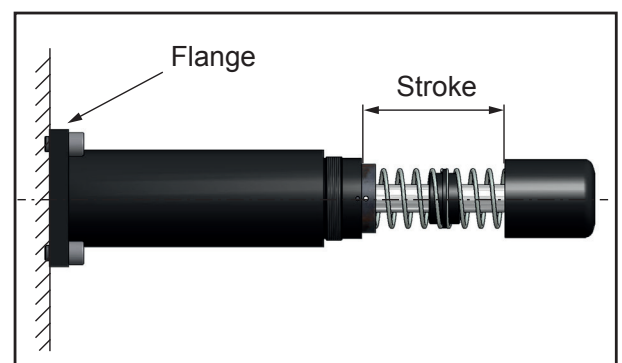
Installation with lock nut



Installation with stop limit nut



Installation with flange



Safety Instructions

Before installation, commissioning, servicing and repair the data sheet is to be noticed. This work may only be performed by trained, introduced staff.

Electric connections according to the suitable national regulation. For Germany: VDE regulation VD E0100

Before all repair and servicing works the energy supplies (main switch, etc.) have to be switched off! Moreover, measures are necessary to prevent an unintentional reconnect. For example, a warning sign "service works" or "maintenance work", applied to the switch.

Designated use

Check before installation and make sure the type name on the shock absorber or on the packaging is corresponding with delivery note. Industrial shock absorbers are maintenance-free and ready for installation.

- Temperature influence: at higher temperatures the shock absorber characteristic will change.
- Movable loads have to be protected during the installation and maintenance against unintentional processes.
- In operation outside the allowed temperature range, the shock absorber can lose his function. Due to heat radiation don't paint the shock absorber.
- Fluids, gases and a dirty environment can affect or destroy the sealing system of the shock absorber. The result could be a failure malfunction. Piston rod and sealing system has to be protected against fluids, gases and a dirty environment.
- Damages at the piston rod can destroy the sealing system. Don't grease or oil the piston rod.
- Avoid traction forces on the piston rod to present internal damages.
- The shock absorber can be pulled out of the construction during the impact. The construction needs to be able to resist the max counterforce. Sufficient security must be calculated.
The maximum counterforces performed in the calculation program can vary from the really appearing counter forces, because these are based on theoretical values.

Fundamentals

Shock absorbers may under no circumstances be:

-painted



-welded



-held with clamps



-used on pull*



(exception: clevis mounting)

In hazardous environments (dirt, humidity, oil) shock absorbers must be protected against damage and failure with the necessary accessory. If several shock absorbers are used on the same application, the deceleration has to be distributed equally. The "Torque" (PERFORMANCE) indicates the maximum force by using the flats. The Weforma catalogue shows technical data with both minimum and maximum values. If a product is to be used in continuous operation and within a range of 20% from the minimum and maximum values shown, then written confirmation of suitability of use from Weforma is necessary.

Important information

Integrated end-stop

Up to the Mega-Line series 3,0 the shock absorbers are provided with an integrated end-stop. If the integrated end-stop is used the remaining energy before end of stroke must not be higher than 10% of the total energy. For all models which are used as an emergency stop an external fixed stop is necessary.



Installation situation

The installation situation is any, however always in such a way that the complete shock absorber stroke can be used. The shock absorbers must be mounted like that the forces in centerline about the piston rod are initiated. The maximum angle out of centre amounts to 2 °.

Liability

Due to the number of possible uses of our products and the conditions of use that lie outside of our scope of influence, we accept no liability as to whether the purchase object is suitable for the Client's intended purpose. The verification to this effect, in particular the verification as to whether the purchase object is suitable for the planned use, is the responsibility of the Client alone, unless expressly agreed otherwise in writing.

For the reasons we accept no liability for the suitability of the purchase object for the purpose intended by the Client, except in cases of intent or gross negligence.

With damages, the not designated use and from high-handed, in these instructions do not originate to intended interventions, any guarantee and liability claim goes out towards the manufacturer.

Guarantee

By non-use of the original spare parts the guarantee claim goes out.

Environment protection

By the exchange from damaged parts is to be respected to a proper disposal.