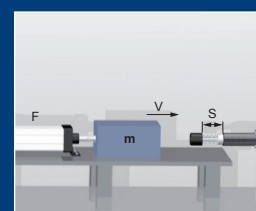


Shock Absorbers

Mega-Line WS-M / WP-M 0,5



ONLINE
Calculation +
2D / 3D CAD Download



Benefits

Enlarged piston:

- Max. +400% energy
- Max. -50% costs / Nm



Piston:

- Hardened, aluminium-titanium-nitride coated

ProSurf:

- Surface protection against corrosion



Extended life cycle:

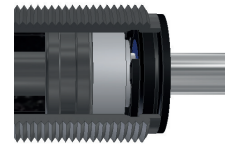
- Nitrated guidance system
- Piston rod hardened stainless steel
- Special seals + oils

Special models:

- Stainless steel: V4A/DIN1.4404/AISL 316L
- For pressure chambers up to 7 bar
- USDA-H 1 compliant for food industry
- Cleanroom

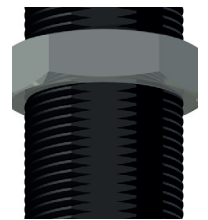
Integrated stop:

- Max. security



Flats :

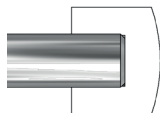
- Fast mounting



Stop caps:

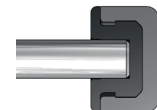
A:

- Standard from POM
- Increased protection of the impact surface



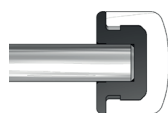
AP:

- 40% noise reduction due to PU
- Increased protection of the impact surface



AP2:

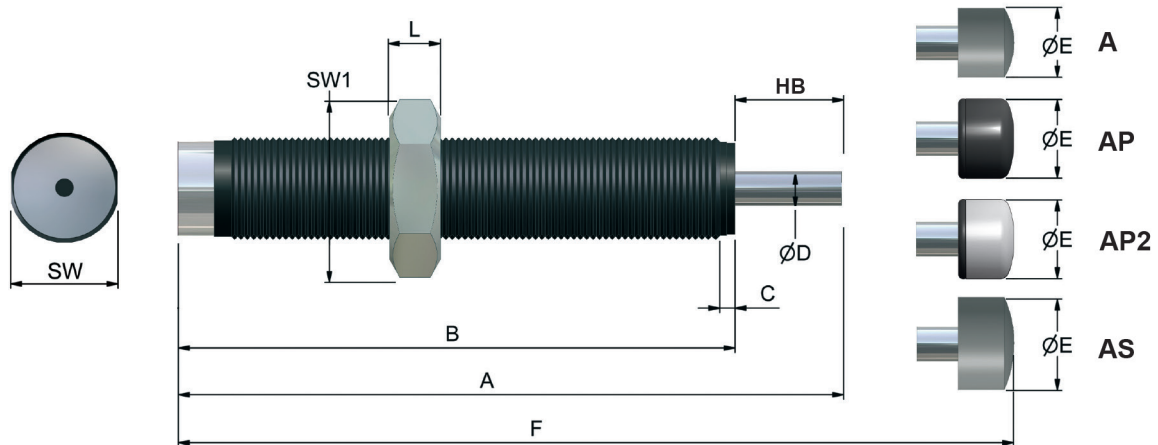
- Longer life time compared to stop cap AP and plastic cap A



AS:

- From hardened steel
- For side forces and difficult operating conditions





DIMENSIONS

	GW*	A	B	C	øD	øE (A)	øE (AP / AP2)	øE (AS)	F (A)	F (AP / AP2)	F (AS)	K	L	SW	SW1	SW2	F (B)	øM	H
		mm	mm	mm	mm	mm	mm	mm	mm	mm	mm	mm	mm	mm	mm	mm	mm	mm	mm
WS-M 0,5 x 13	M 20 x 1	88	75	2,5	6	12	17	16	98	99	98	-	6	18	24	-	98	25	30
WP-M 0,5 x 13	M 20 x 1	88	75	2,5	6	12	17	16	98	99	98	-	6	18	24	-	98	25	30
WS-M 0,5 x 19	M 20 x 1	107	88	2,5	6	12	17	16	117	119	117	-	6	18	24	-	117	25	36
WP-M 0,5 x 19	M 20 x 1	107	88	2,5	6	12	17	16	117	119	117	-	6	18	24	-	117	25	36
WS-M 0,5 x 40	M 20 x 1	165	125	2,5	6	12	17	16	175	177	177	-	6	18	24	-	-	-	-
WP-M 0,5 x 40	M 20 x 1	165	125	2,5	6	12	17	16	175	177	177	-	6	18	24	-	-	-	-

SPECIAL THREAD - from stock

Baureihe	Kennbuchstabe	Gewinde	Beispiel
0,5 x 13	L	M 20x1,5	WS-M 0,5x13-1L
0,5 x 19	L	M 20x1,5	WS-M 0,5x19-1L
0,5 x 19	M	M 20x1,25	WP-M 0,5x19-1M
0,5 x 19	H	M 22x1,5	WS-M 0,5x19-1H
0,5 x 19	U	3/4-16 UNF	WP-M 0,5x19-1U
0,5 x 40	L	M 20x1,5	WS-M 0,5x40-1L

STAINLESS STEEL - from stock

Baureihe	Kennbuchstabe	Gewinde	Beispiel
0,5 x 13		M 20x1	WS-M 0,5x13-1-VA
0,5 x 13	L	M 20x1,5	WP-M 0,5x13-1L-VA
0,5 x 19		M 20x1	WS-M 0,5x19-1-VA
0,5 x 19	L	M 20x1,5	WP-M 0,5x19-1L-VA
0,5 x 19	U	3/4-16 UNF	WS-M 0,5x19-1U-VA
0,5 x 40		M 20x1	WS-M 0,5x40-1-VA
0,5 x 40	L	M 20x1,5	WP-M 0,5x40-1L-VA

PERFORMANCE

	Hub	Energieaufnahme		Effektive Masse				
		Constant load*	Nm/h (max.)	-0 (very soft)	-1 (soft)	-2 (medium)	-3 (hard)	-4 (very hard)
		Nm/HB (max.)		min. - max.kg	min. - max.kg	min. - max.kg	min. - max.kg	min. - max.kg
WS-M 0,5 x 13	13	65	52.000	1,8 - 8,5	7,5 - 36	20 - 160	130 - 610	520 - 3500
WP-M 0,5 x 13	13	65	52.000	-	1,8 - 8,5	6,4 - 58	44 - 360	-
WS-M 0,5 x 19	19	100	76.500	2,6 - 10,6	10 - 86	40 - 209	170 - 800	680 - 4.050
WP-M 0,5 x 19	19	100	76.500	-	2,6 - 12,5	10 - 89	69 - 555	-
WS-M 0,5 x 40	40	125	95.625	3,5 - 16	14 - 69	40 - 305	250 - 1.180	1.000 - 6.250
WP-M 0,5 x 40	40	125	95.625	-	3,5 - 20	13 - 100	90 - 690	-

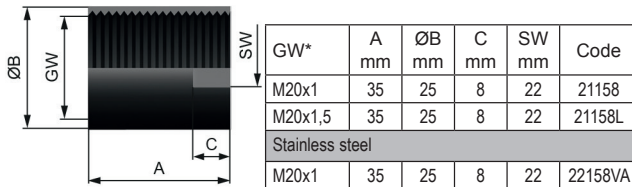
Technical data at + 20°C

Technical Data

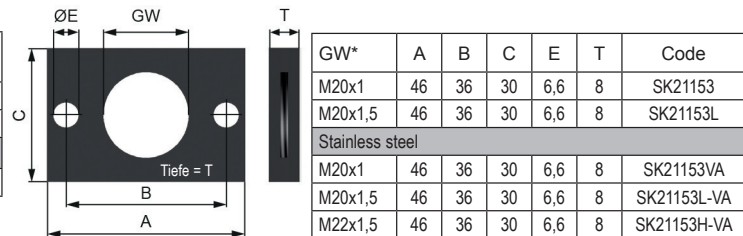
Weight	0,5: 0,14 kg 0,5 x 40: 0,20 kg
Impact speed	WS-M: 0,08 - 6,0 m/s WP-M: 0,30 - 8,0 m/s
Return spring force	0,5 / 0,5 x 40: 12 N/min - 23 N/max Ausführung „BO“: 50 N/min - 70 N/max
Torque: max. force by using the flats	0,5 / 0,5 x 40: 25 Nm
Housing	ProSurf
Piston rod	Hardened stainless steel
RoHS - compliant	Directive 2002/95/EG
Included	1 lock nut

Zubehör

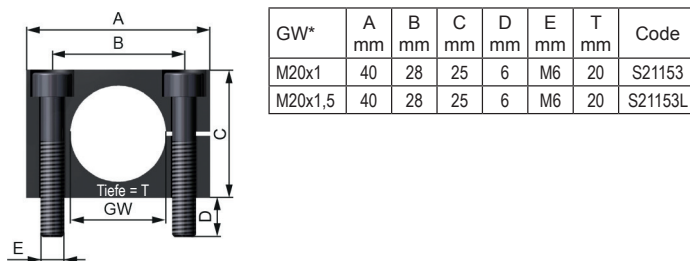
Stop limit nut



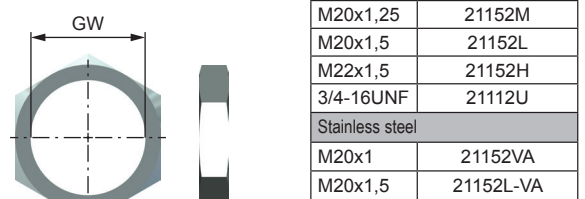
Clamping flange



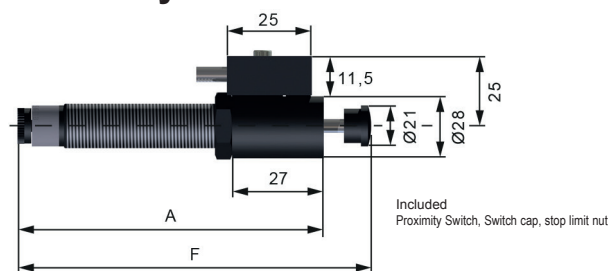
Rectangular flange



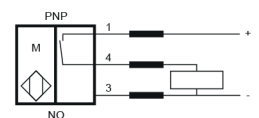
Lock nut



Proximity Switch

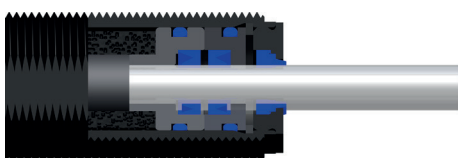


	A (mm)	F (mm)	Art.-Nr.
WS-M 0,5x13	82,5	98	S21124
WP-M 0,5x13	82,5	98	S41124
WS-M 0,5x19	95,5	117	S21124
WP-M 0,5x19	95,5	117	S41124



	A (mm)	F (mm)	Art.-Nr.
WS-M 0,5x40	132,5	177	S21124
WP-M 0,5x40	132,5	177	S41124

Double wiper

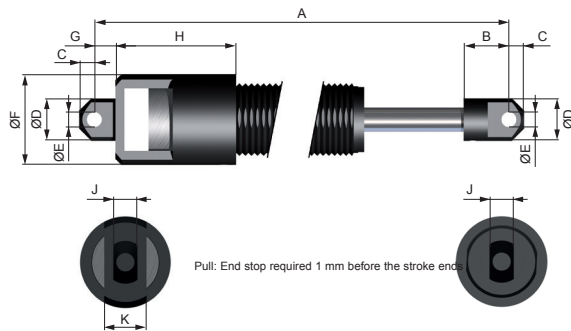


Used in applications with:

- Liquid
- Compressed air
- Dust

Accessories

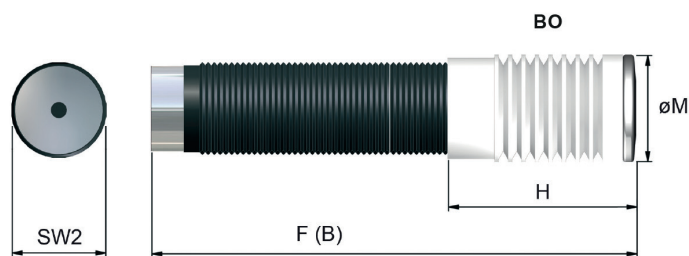
Clevis mounting



	GW*	A mm	B mm	C mm	ØD mm	ØE mm	ØF mm	G mm	H mm	J mm	K mm
WS/P-M0,5x13SB	M20x1	111	13	5	12	5	26	5	35	6	12
WS/P-M0,5x19SB	M20x1	130	13	5	12	5	26	5	35	6	12

Art.-Nr.: S21116

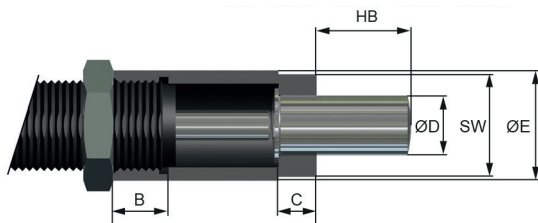
Shock Absorbers with protection bellow



Material: PTFE / stop cap: stainless steel
 Ordering information: -M 0,5x19 - BO

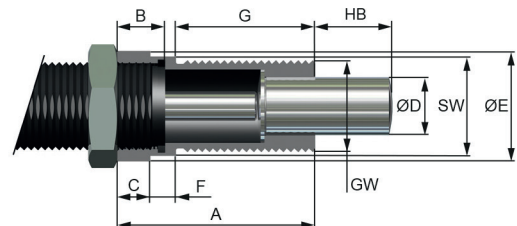
Solutions for Side Forces

1) AK 1



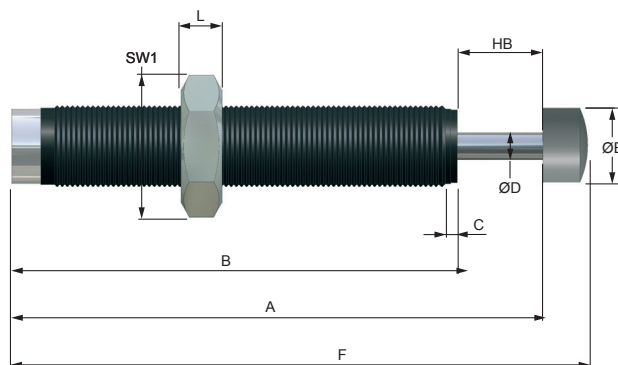
	GW*	A	B	C	Ø D	Ø E	SW	Art.-Nr.
		mm	mm	mm	mm	mm	mm	
0,5x19	M 20 x 1	42	16	8	12	24	22	S21119
0,5x19L	M 20 x 1,5	42	16	8	12	24	22	S21119L

AK 2



	GW*	A	B	C	Ø D	Ø E	F	G	SW	Art.-Nr.
		mm	mm	mm	mm	mm	mm	mm	mm	
0,5x13	M20x1	34	9	7	12	24	7	20	22	S21919-AK2
0,5x19	M20x1	38	9	6	12	24	7	25	22	S21119-AK2
0,5x19L	M20x1,5	38	9	6	12	24	7	25	22	S21119L-AK2

2) WSB-M 0,5 / WPB-M 0,5



BENEFITS

Designed for side forces up to 15° without additional mounting parts;
included steel stop cap

DIMENSIONS

		GW*	A	A 1	B	C	Ø D	Ø E	L	SW	SW 1
			mm	mm	mm	mm	mm	mm	mm	mm	mm
WSB-M 0,5x19 -0/1/2/3/4	WPB-M 0,5x19 -1/2/3	M 20 x 1,0	117,0	123,0	88,0	2,5	6	16	6	18	24
WSB-M 0,5x19L -0/1/2/3/4	WPB-M 0,5x19L -1/2/3	M 20 x 1,5	117,0	123,0	88,0	2,5	6	16	6	18	24

PERFORMANCE

	Hub	Energieaufnahme		Effektive Masse					Rückholfederkraft		Drehmoment	Gewicht
				-0 (very soft)	-1 (soft)	-2 (medium)	-3 (hard)	-4 (very hard)	min. N	max. N		
	mm	Nm/HB (max.)	Nm/h (max.)	min.-max.kg	min.-max.kg	min.-max.kg	min.-max.kg	min.-max.kg	min. N	max. N	Nm max.	kg
WSB-M 0,5x19	19	80	76800	2,6 - 10,6	10 - 86	40 - 209	170 - 800	680 - 4050	12	23	25	0,13
WPB-M 0,5x19	19	80	76800	-	2,6 - 12,5	10 - 89	69 - 555	-	12	23	25	0,13

Adjustment

The shock absorbers Mega-Line 05 are self-compensating.

Damping characteristics:

WS-M - self-compensating, linear

WP-M - self-compensating, progressive

The attenuation factor are available by default:

- 0 - very soft

- 1 - soft

- 2 - medium

- 3 - hard

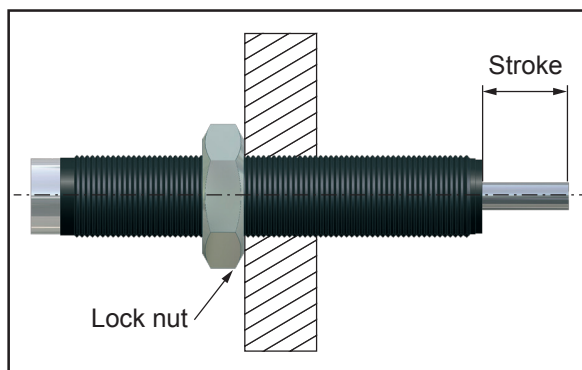
- 4 - very hard

The damping level is calculated with the formula for the effective mass. (see calculation in the catalog)

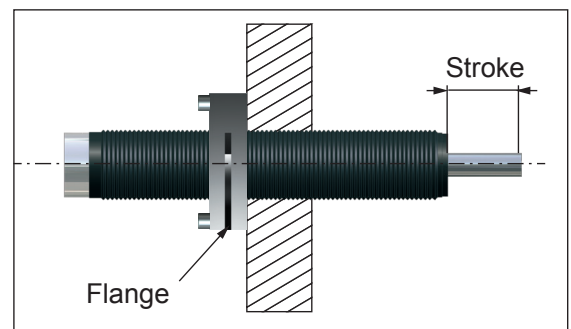
If the mass in a trial run impacts excessively hard on the fixed stop select the next harder model. If the mass impacts too hard on the shock absorber choose a softer version.

Installation

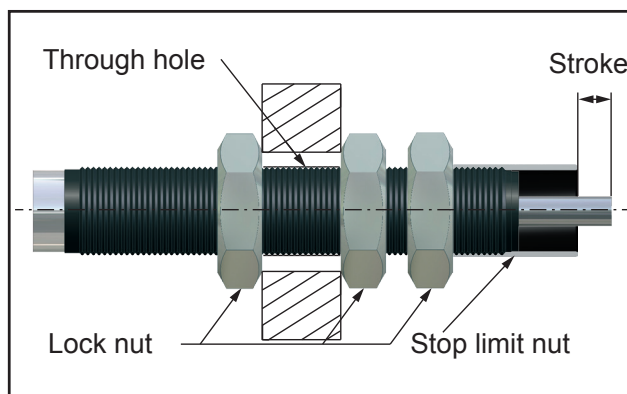
Installation with Lock nut



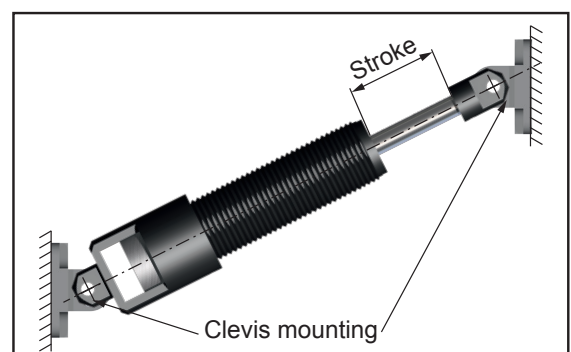
Installation with flange



Installation with stop limit nut



Clevis mounting



Safety Instructions

Before installation, commissioning, servicing and repair the data sheet is to be noticed. This work may only be performed by trained, introduced staff.

Electric connections according to the suitable national regulation. For Germany: VDE regulation VD E0100

Before all repair and servicing works the energy supplies (main switch, etc.) have to be switched off! Moreover, measures are necessary to prevent an unintentional reconnect. For example, a warning sign "service works" or "maintenance work", applied to the switch.

Designated use

Check before installation and make sure the type name on the shock absorber or on the packaging is corresponding with delivery note. Industrial shock absorbers are maintenance-free and ready for installation.

- Temperature influence: at higher temperatures the shock absorber characteristic will change.
- Movable loads have to be protected during the installation and maintenance against unintentional processes.
- In operation outside the allowed temperature range, the shock absorber can lose his function. Due to heat radiation don't paint the shock absorber.
- Fluids, gases and a dirty environment can affect or destroy the sealing system of the shock absorber. The result could be a failure malfunction. Piston rod and sealing system has to be protected against fluids, gases and a dirty environment.
- Damages at the piston rod can destroy the sealing system. Don't grease or oil the piston rod.
- Avoid traction forces on the piston rod to present internal damages.
- The shock absorber can be pulled out of the construction during the impact. The construction needs to be able to resist the max counterforce. Sufficient security must be calculated.
The maximum counterforces performed in the calculation program can vary from the really appearing counter forces, because these are based on theoretical values.

Fundamentals

Shock absorbers may under no circumstances be:

-painted



-welded



-held with clamps



-used on pull*



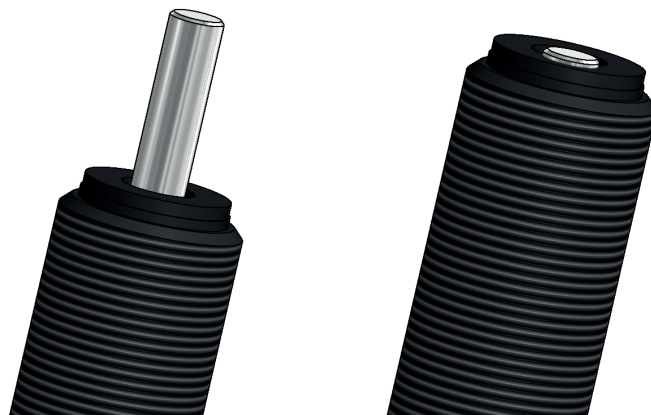
(exception: clevis mounting)

In hazardous environments (dirt, humidity, oil) shock absorbers must be protected against damage and failure with the necessary accessory. If several shock absorbers are used on the same application, the deceleration has to be distributed equally. The "Torque" (PERFORMANCE) indicates the maximum force by using the flats. The Weforma catalogue shows technical data with both minimum and maximum values. If a product is to be used in continuous operation and within a range of 20% from the minimum and maximum values shown, then written confirmation of suitability of use from Weforma is necessary.

Important information

Integrated end-stop

Up to the WS-M / WP-M 0,5 Mega-Line series the shock absorbers are provided with an integrated end-stop. If the integrated end-stop is used the remaining energy before end of stroke must not be higher than 10% of the total energy. For all models which are used as an emergency stop an external fixed stop is necessary.



Installation situation

The installation situation is any, however always in such a way that the complete shock absorber stroke can be used. The shock absorbers must be mounted like that the forces in centerline about the piston rod are initiated. The maximum angle out of centre amounts to 3°. With a bigger angle out of centre an AK1 / AK2 (see "solutions for side forces") must be used or the shock absorber serie: WSB/WPB

Liability

Due to the number of possible uses of our products and the conditions of use that lie outside of our scope of influence, we accept no liability as to whether the purchase object is suitable for the Client's intended purpose. The verification to this effect, in particular the verification as to whether the purchase object is suitable for the planned use, is the responsibility of the Client alone, unless expressly agreed otherwise in writing.

For the reasons we accept no liability for the suitability of the purchase object for the purpose intended by the Client, except in cases of intent or gross negligence.

With damages, the not designated use and from high-handed, in these instructions do not originate to intended interventions, any guarantee and liability claim goes out towards the manufacturer.

Guarantee

By non-use of the original spare parts the guarantee claim goes out.

Environment protection

By the exchange from damaged parts is to be respected to a proper disposal.