

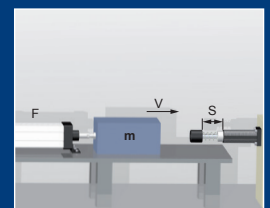
## Shock Absorbers

Mega-Line WE-M 0,25

Mega-Line WE-M 0,35



**ONLINE**  
Calculation +  
2D / 3D CAD Download



## Benefits

### Enlarged piston:

- Max. +400% energy
- Max. -50% costs / Nm



### Piston:

- Hardened, aluminium-titanium-nitride coated

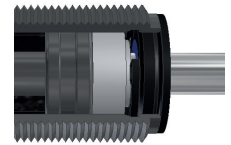
### ProSurf:

- Surface protection against corrosion



### Integrated stop:

- Max. security
- Easy installation



### Extended life cycle:

- Nitrated guidance system
- Piston rod: hardened stainless steel
- Special seals + oils

### Special models::

- Stainless steel:  
V4A/DIN1.4404/AISL 316L
- For pressure chambers up to 7 bar
- USDA-H 1 compliant for food industry
- Cleanroom

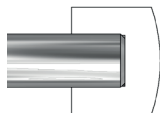
### Temperature:

- Standard: -20°C - ...+80°
- Low-temperature: -50°C-...+60°C
- High-temperature: 0°C-...+120°C

### Stop caps:

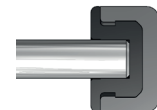
#### A:

- Standard from POM
- Increased protection of the impact surface



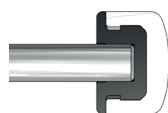
#### AP:

- 40% noise reduction due to PU
- Increased protection of the impact surface



#### AP2:

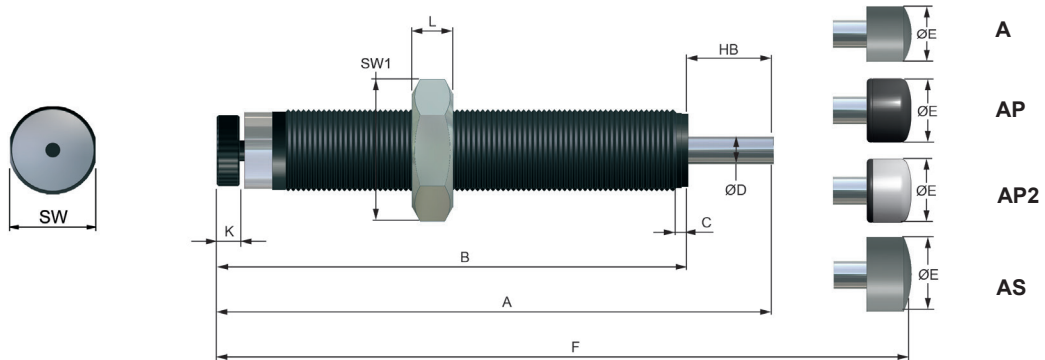
- Longer life time compared to stop cap AP and plastic cap A



#### AS:

- From hardened steel
- For side forces and difficult operating conditions





\*A: Plastic / AP: Soft Touch / AS: Steel

## DIMENSIONS

GW*	A	B	C	øD	øE (A)	øE (AP / AP2)	øE (AS)	F (A)	F (AP / AP2)	F (AS)	K	L	SW	SW1	SW2	F (B)	øM	H
	mm	mm	mm	mm	mm	mm	mm	mm	mm	mm	mm	mm	mm	mm	mm	mm	mm	mm
WE-M 0,25	M 14 x 1	97	78	2,5	4	10	10	105	105	105	4,5	5	13	17	-	109	20	33
WE-M 0,35	M 16 x 1	97	78	2,5	4	10	10	105	105	105	4,5	6	14	19	-	109	22	33

## SPECIAL THREAD - from stock

Series	Code	Threads	Example
0,25	L	M 14x1,5	WE-M 0,25L
0,25	UF	1/2-20 UNF	WE-M 0,25UF
0,25	UC	9/16-18 UNeF	WE-M 0,25UC
0,35	D	M 15x1	WE-M 0,35D
0,35	L	M 16x1,5	WE-M 0,35L

## STAINLESS STEEL - from stock

Series	Code	Threads	Example
0,25		M 14x1	WE-M 0,25-VA
0,25	L	M 14x1,5	WE-M 0,25L-VA
0,35		M16x1	WE-M 0,35-VA
0,35	L	M 16x1,5	WE-M 0,35L-VA

## PERFORMANCE

Stroke	Energy absorption		Effective Mass					
	Constant load*		-0 (very soft)	-1 (soft)	-2 (medium)	-3 (hard)	-4 (very hard)	
	Nm/HB (max.)	Nm/h (max.)	min. - max.kg	min. - max.kg	min. - max.kg	min. - max.kg	min. - max.kg	
mm								
WE-M 0,25	14	30	50.000	-	1,6 - 1500	-	-	-
WE-M 0,35	14	35	52.500	-	6,5 - 1750	-	-	-

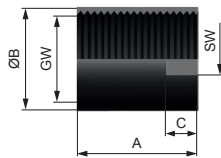
Technical data at + 20°C

## Technical Data

<b>Weight</b>	<b>0,25:</b>	0,05 kg
	<b>0,35:</b>	0,07 kg
<b>Impact speed</b>	<b>WE-M:</b>	0,08 - 6,0 m/s
<b>Return spring force</b>	<b>0,25 / 0,35 :</b>	13 N/min - 23 N/max
	<b>Model „BO“:</b>	25 N/min - 35 N/max
<b>Torque: max. force by using the flats</b>	<b>0,25 / 0,35:</b>	20 Nm
	<b>0,5 / 0,5 x 40:</b>	25 Nm
<b>Housing</b>		ProSurf
<b>Piston rod</b>		Hardened stainless steel
<b>RoHS - compliant</b>		Directive 2002/95/EG
<b>Included</b>		1 lock nut

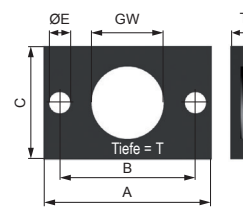
## Accessories

### Stop limit nut



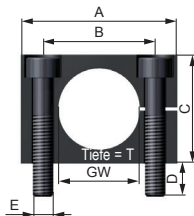
GW*	A mm	ØB mm	C mm	SW mm	Code
M14x1	20	18	6	15	21058
M14x1,5	20	18	6	15	21058L
M16x1	25	21	8	19	22158
M16x1,5	25	21	8	19	22158L
Stainless steel					
M14x1	20	18	6	15	21058VA

### Clamping flange



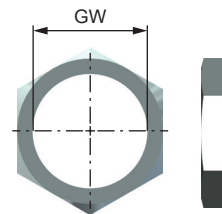
GW*	A mm	B mm	C mm	E mm	T mm	Code
M14x1	34	26	20	5,5	6	SK21053
M14x1,5	34	26	20	5,5	6	SK21053L
M16x1	34	26	20	5,5	6	SK22153
Stainless steel						
M14x1	34	26	20	5,5	6	SK21053VA

### Rectangular flange



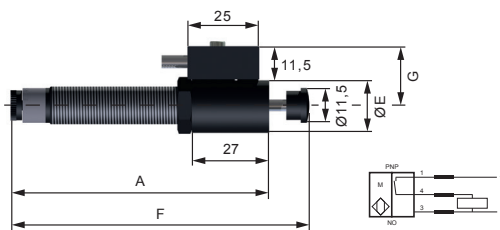
GW*	A mm	B mm	C mm	D mm	E mm	T mm	Code
M14x1	32	20	20	5	M5	12	S21053
M14x1,5	32	20	20	5	M5	12	S21053L
M16x1	40	28	25	6	M6	20	S22153

### Lock nut



GW*	Code
M14x1	21052
M14x1,5	21052L
1/2-20UNF	21052UF
9/16-18UNEF	21052UC
M15x1	22152D
M16x1	22152
M16x1,5	22152L
Stainless steel	
M14x1	21052VA
M14x1,5	21052L-VA
M16x1	22152VA
M16x1,5	22152L-VA

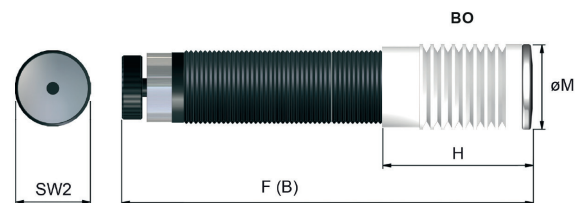
### Proximity Switch



A (mm)	ØE (mm)	F (mm)	G (mm)	Art.-Nr.
0,25	92,0	19	100	S31064
0,35	90,0	21	100	S31254

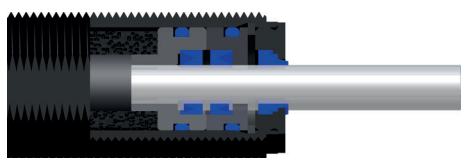
Included  
Proximity Switch, Switch cap, stop limit nut

### Shock Absorbers with protection bellow



Material: PTFE / stop cap: stainless steel  
Ordering information: -M 0,25 - 1B0

### Double wiper

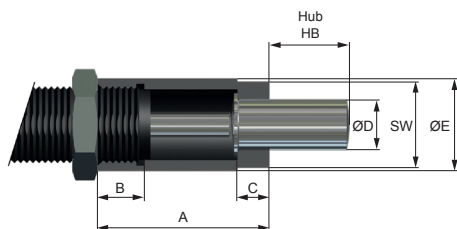


Used in applications with:

- Liquid
- Compressed air
- Dust

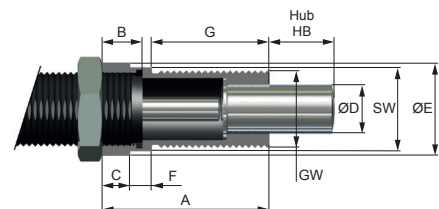
## Solutions for Side Forces

### 1) AK 1



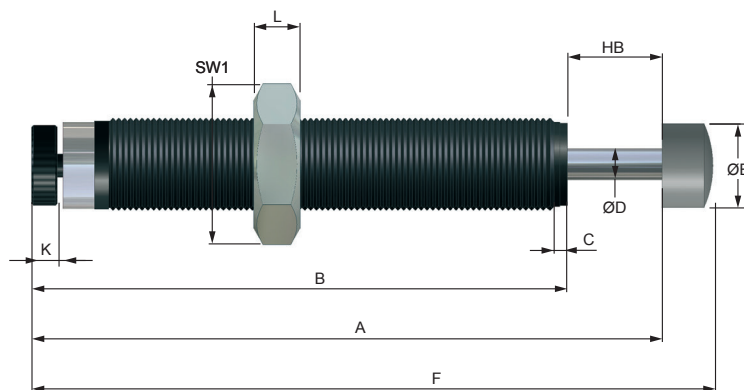
	GW*	A mm	B mm	C mm	ø D mm	ø E mm	SW mm	Code
0,25	M 14 x 1	32	10	6	8	18	15	S21019
0,25L	M 14 x 1,5	32	10	6	8	18	15	S21019L
0,35	M 16 x 1	33	10	5	8	20	17	S22119
0,35L	M 16 x 1,5	33	10	5	8	20	17	S22119L

### AK 2



	GW*	A mm	B mm	C mm	ø D mm	ø E mm	F mm	G mm	SW mm	Code
0,25	M14x1	32	8	8	8	18	4	20	16	S21019-AK2
0,25	M 14 x 1,5	32	8	8	8	18	4	20	16	S21019L-AK2
0,35	M16x1	32	8	8	8	20	4	18	19	S22119-AK2

### 2) WEB-M 0,25 - 0,35



#### BENEFITS

Designed for side forces up to 15° without additional mounting parts;  
included steel stop cap

#### DIMENSIONS

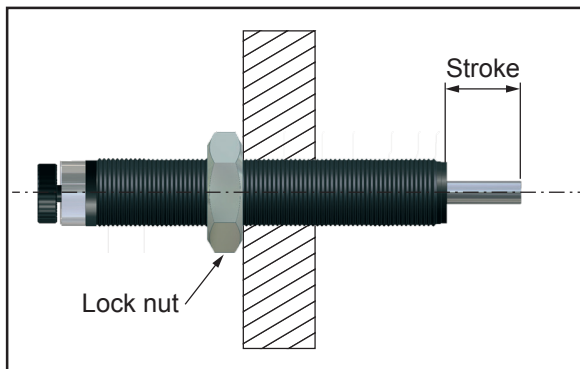
	GW*	A	A 1	B	C	ø D	ø E	L	SW	SW 1
		mm	mm	mm	mm	mm	mm	mm	mm	mm
WEB-M 0,25	M 14 x 1,0	100,0	105,0	78,0	2,5	4	10	5	13	17
WEB-M 0,25L	M 14 x 1,5	100,0	105,0	78,0	2,5	4	10	5	13	17

#### PERFORMANCE

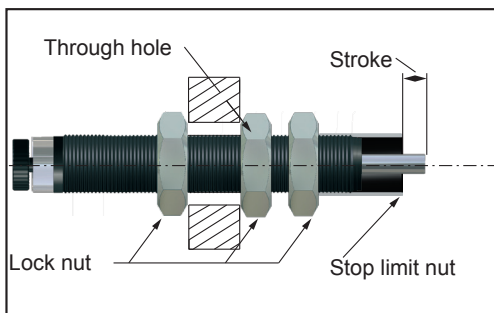
	Stroke	Energy absorption		Effective mass					Return spring force		Torque	Weight
				-0 (very soft)	-1 (soft)	-2 (medium)	-3 (hard)	-4 (very hard)				
				min.-max.kg	min.-max.kg	min.-max.kg	min.-max.kg	min.-max.kg				
mm	Nm/HB (max.)	Nm/h (max.)	min. N	max. N	Nm max.	kg						
WEB-M 0,25	14	24	52800	-	1,6 - 1600	-	-	-	13	23	20	0,055

## Installation

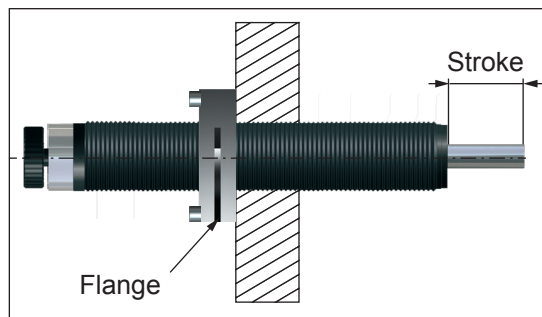
### Installation with Lock nut



### Installation with stop limit nut



### Installation with flange



## Adjustment:

The damping factor is adjusted with the adjusting screw at the back-sided end of the shock absorber. The damping depends from the impact speed and the effective mass. Set possibilities on the scale 0-8

0 = low damping

8 = high damping



Adjustment: It is not allowed to adjust the shock absorber in operation conditions or during the operation.

In order to adjust the shock absorber set the adjustment screw to „6“ if the velocity is  $<1,3$  m/s or to „4“ if the velocity is  $>1,3$  m/s. Internal damage to the shock absorber can occur, if not adjusted in gradual increments. Do not drive in the final position under full load. If the damping is not sufficient, increase continuously by rotating the adjustment to the next higher number. Maximum damping is achieved, when the highest number on the scale is reached. If the mass impacts excessively hard on the shock absorber (stop cap) the damping should be reduced by rotation of the adjustment to the next smaller number. Minimum damping is at „0“ setting. Secure the adjustment with the threaded pin. A hexagonal key is supplied for this purpose





## Safety Instructions

Before installation, commissioning, servicing and repair the data sheet is to be noticed. This work may only be performed by trained, introduced staff.

Electric connections according to the suitable national regulation. For Germany: VDE regulation VD E0100

Before all repair and servicing works the energy supplies (main switch, etc.) have to be switched off! Moreover, measures are necessary to prevent an unintentional reconnect. For example, a warning sign "service works" or "maintenance work", applied to the switch.

## Designated use

Check before installation and make sure the type name on the shock absorber or on the packaging is corresponding with delivery note. Industrial shock absorbers are maintenance-free and ready for installation.

- Temperature influence: at higher temperatures the shock absorber characteristic will change.
- Movable loads have to be protected during the installation and maintenance against unintentional processes.
- In operation outside the allowed temperature range, the shock absorber can lose his function. Due to heat radiation don't paint the shock absorber.
- Fluids, gases and a dirty environment can affect or destroy the sealing system of the shock absorber. The result could be a failure malfunction. Piston rod and sealing system has to be protected against fluids, gases and a dirty environment.
- Damages at the piston rod can destroy the sealing system. Don't grease or oil the piston rod.
- Avoid traction forces on the piston rod to present internal damages.
- The shock absorber can be pulled out of the construction during the impact. The construction needs to be able to resist the max counterforce. Sufficient security must be calculated.  
The maximum counterforces performed in the calculation program can vary from the really appearing counter forces, because these are based on theoretical values.

## Fundamentals

Shock absorbers may under no circumstances be:

-painted



-welded



-held with clamps



-used on pull\*



(exception: clevis mounting)

In hazardous environments (dirt, humidity, oil) shock absorbers must be protected against damage and failure with the necessary accessory. If several shock absorbers are used on the same application, the deceleration has to be distributed equally. The "Torque" (PERFORMANCE) indicates the maximum force by using the flats. The Weforma catalogue shows technical data with both minimum and maximum values. If a product is to be used in continuous operation and within a range of 20% from the minimum and maximum values shown, then written confirmation of suitability of use from Weforma is necessary.

## Important information

### Integrated end-stop

Up to the WE-M 0,25 - 0,35 Mega-Line series the shock absorbers are provided with an integrated end-stop. If the integrated end-stop is used the remaining energy before end of stroke must not be higher than 10% of the total energy. For all models which are used as an emergency stop an external fixed stop is necessary.



### Installation situation

The installation situation is any, however always in such a way that the complete shock absorber stroke can be used. The shock absorbers must be mounted like that the forces in centerline about the piston rod are initiated. The maximum angle out of centre amounts to 3 °. With a bigger angle out of centre an AK1 / AK2 (see "solutions for side forces") must be used or the shock absorber serie: WEB

### Liability

Due to the number of possible uses of our products and the conditions of use that lie outside of our scope of influence, we accept no liability as to whether the purchase object is suitable for the Client's intended purpose. The verification to this effect, in particular the verification as to whether the purchase object is suitable for the planned use, is the responsibility of the Client alone, unless expressly agreed otherwise in writing.

For the reasons we accept no liability for the suitability of the purchase object for the purpose intended by the Client, except in cases of intent or gross negligence.

With damages, the not designated use and from high-handed, in these instructions do not originate to intended interventions, any guarantee and liability claim goes out towards the manufacturer.

### Guarantee

By non-use of the original spare parts the guarantee claim goes out.

### Environment protection

By the exchange from damaged parts is to be respected to a proper disposal.