

Series 514

General

NAMUR valves are 5/2 and 4/2 valves and electrovalves, piloted electrically or pneumatically, utilised primarily to operate rotary actuators and wherever there is a NAMUR standard installation plan.

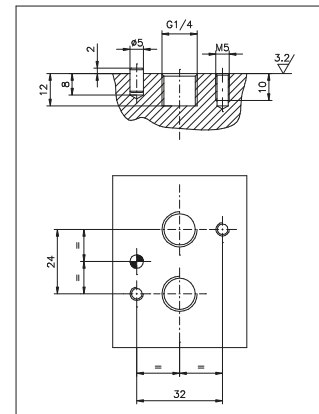
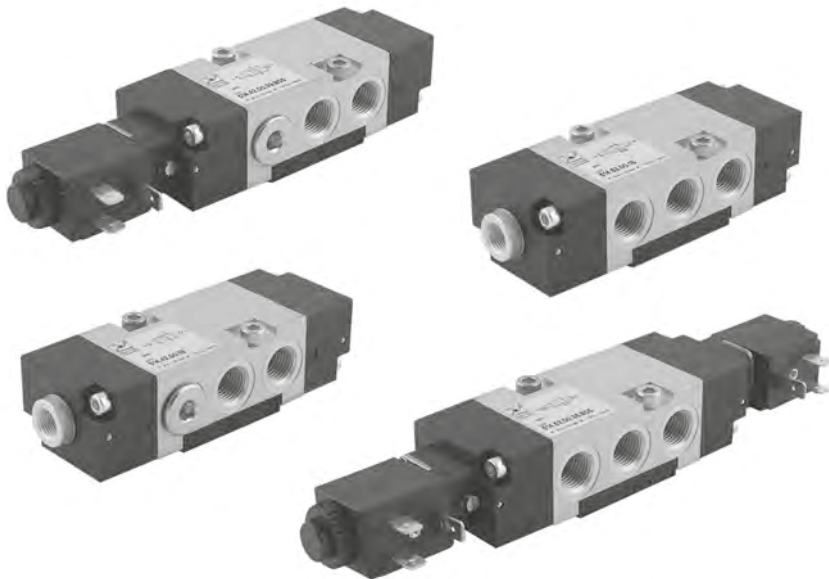
The product is classified for use in potentially explosive atmospheres (Directive 2014/34/EU).

NAMUR valves have been developed using the latest, technical design solutions which guarantee flexibility and an increased flow rate capacity exceeding that of traditional, spool valves.

In addition, they have been produced with innovative materials which guarantee increased performance.

Note:
"Although accurately described, the 4/2 valve actually functions as a 3/2 normally closed valve and should be used as such."

“NAMUR” interface dimensions:
according to standard (VDI/VDE 3847 July 2003)



Construction characteristics

Body	Aluminium
Spacer	Technopolymer
Seals	Nitrile rubber
Springs	Stainless Steel
Operators	Technopolymer
Spools	Steel
Screws	Zinc coated Steel / Stainless steel

Certifications available:

SOLENOID VALVES WITH XMB OR XMC 3GD COIL

: CE II 3G Ex h IIB T4 Gc X
CE II 3D Ex h IIIC T120°C Dc X IP65

MECHANICAL AND PNEUMATIC VALVES WITHOUT COILS

: CE II 2G Ex h IIB T5 Gc X
CE II 2D Ex h IIIC T96°C Dc X IP65

AIR DISTRIBUTION 1

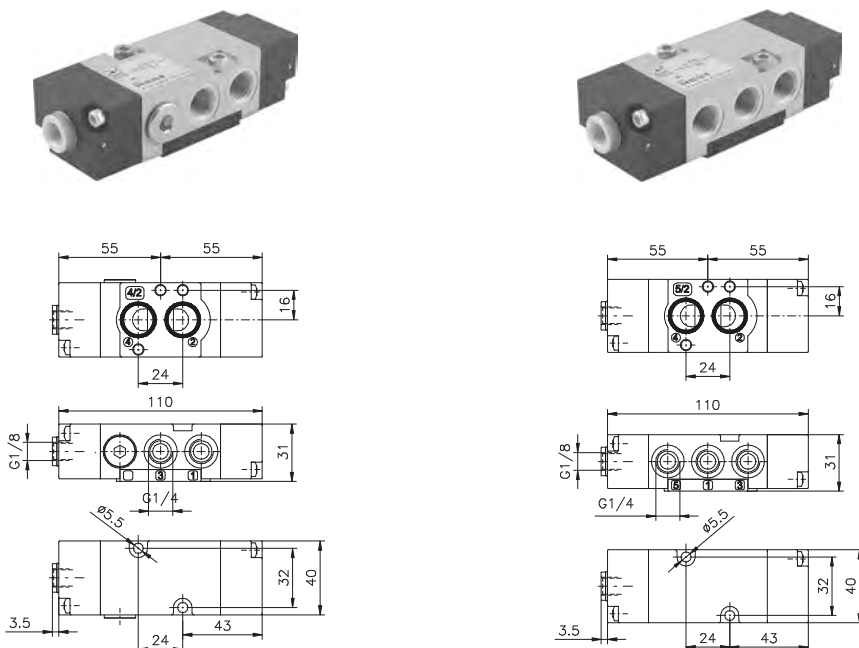
Pneumatic - Differential

Coding: **M514.F.00.16**Ⓞ

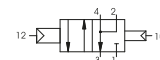
Operational characteristics	
Fluid	Filtered air. No lubrication needed, if applied it shall be continuous
Max working pressure (bar)	10 Standard valves (-10 ... +50) Low temperature valves (-30 ... +50) ATEX valves (-20 ... +40)
Temperature °C	1100 Standard valves (-10 ... +50) Low temperature valves (-30 ... +50) ATEX valves (-20 ... +40)
Flow rate at 6 bar with Δp=1 (NI/min)	1100
Orifice size (mm)	8
Working ports size	G 1/4"

M	MODEL = Standard valve X = ATEX valve
F	FUNCTION 42 = 4 ways 52 = 5 ways
Ⓞ	TEMPERATURE OPTIONS = Standard valves (-10 ... +50) LT = Low temperature valves (-30 ... +50) = ATEX valves (-20 ... +40)

Minimum pilot pressure 2,5 bar
Maximum fitting torque 9 N/m



M514.42.00.16Ⓞ Weight 240 g



M514.52.00.16Ⓞ Weight 235 g



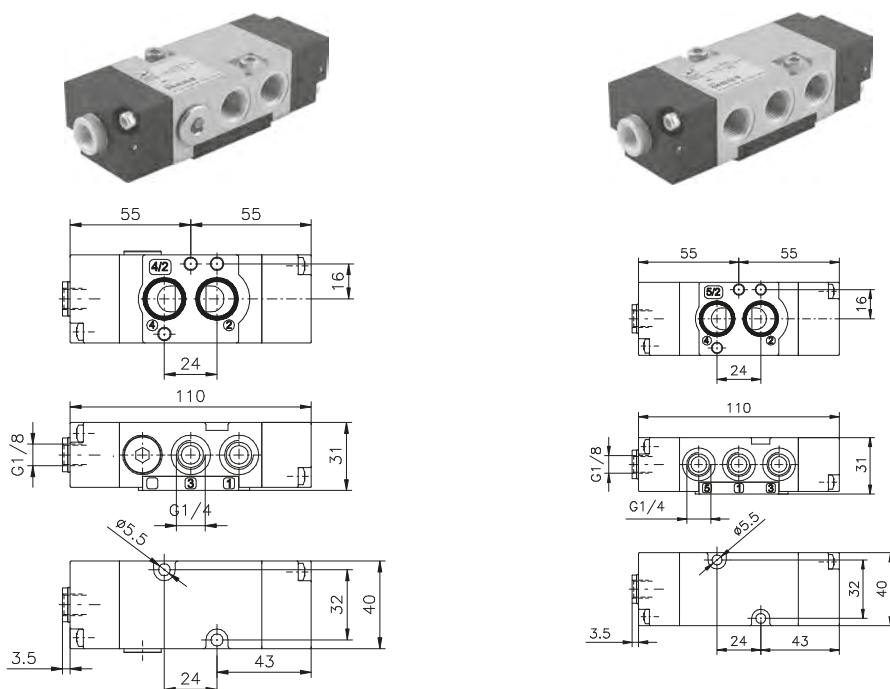
Pneumatic - Pneumatic

Coding: **M514.F.00.18**Ⓞ

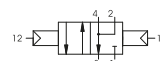
Operational characteristics	
Fluid	Filtered air. No lubrication needed, if applied it shall be continuous
Max working pressure (bar)	10 Standard valves (-10 ... +50) Low temperature valves (-30 ... +50) ATEX valves (-20 ... +40)
Temperature °C	1100 Standard valves (-10 ... +50) Low temperature valves (-30 ... +50) ATEX valves (-20 ... +40)
Flow rate at 6 bar with Δp=1 (NI/min)	1100
Orifice size (mm)	8
Working ports size	G 1/4"

M	MODEL = Standard valve X = ATEX valve
F	FUNCTION 42 = 4 ways 52 = 5 ways
Ⓞ	TEMPERATURE OPTIONS = Standard valves (-10 ... +50) LT = Low temperature valves (-30 ... +50) = ATEX valves (-20 ... +40)

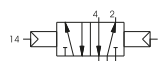
Minimum pilot pressure 2,5 bar
Maximum fitting torque 9 N/m



M514.42.00.18Ⓞ Weight 240 g



M514.52.00.18Ⓞ Weight 235 g



Pneumatic - Spring

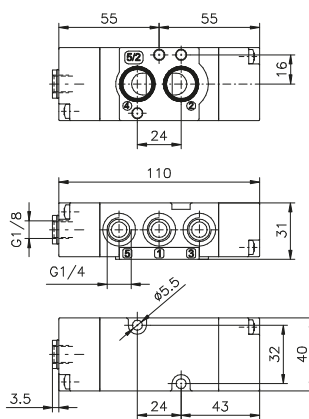
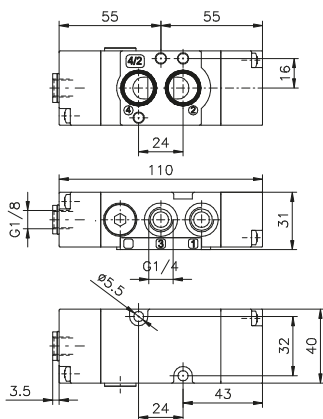
Coding: **M514.F.00.19**

Operational characteristics

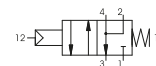
Fluid	Filtered air. No lubrication needed, if applied it shall be continuous
Max working pressure (bar)	10
Temperature °C	Standard valves (-10 ... +50) Low temperature valves (-30 ... +50) ATEX valves (-20 ... +40)
Flow rate at 6 bar with $\Delta p=1$ (NI/min)	1100
Orifice size (mm)	8
Working ports size	G 1/4"

MODEL	M = Standard valve X = ATEX valve
FUNCTION	F 42 = 4 ways 52 = 5 ways
TEMPERATURE OPTIONS	= Standard valves (-10 ... +50) LT = Low temperature valves (-30 ... +50) = ATEX valves (-20 ... +40)

Minimum pilot pressure 2,5 bar
Maximum fitting torque 9 N/m



M514.42.00.19 Weight 240 g



M514.52.00.19 Weight 235 g



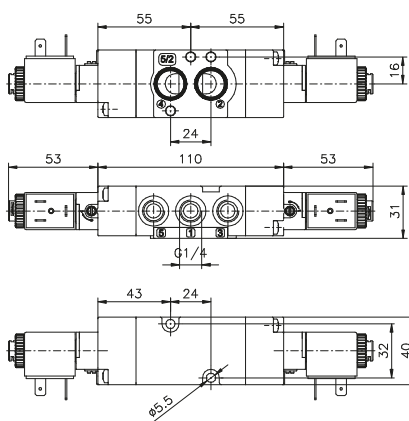
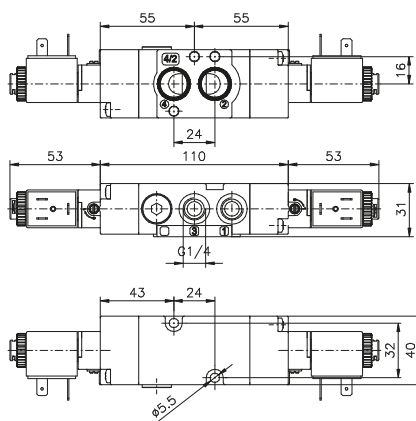
1 AIR DISTRIBUTION



Solenoid-Solenoid

Coding: M514.F.00.35.T.O

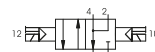
Operational characteristics	
Fluid	Filtered air. No lubrication needed, if applied it shall be continuous
Max working pressure (bar)	10
Temperature °C	Standard valves (-10 ... +50) Low temperature valves (-30 ... +50) ATEX valves (-20 ... +40)
Flow rate at 6 bar with Δp=1 (NI/min)	1100
Orifice size (mm)	8
Working ports size	G 1/4"



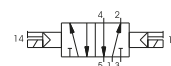
MODEL	
M	= Standard valve
X	= ATEX valve
FUNCTION	
F	42 = 4 ways
52	= 5 ways
VOLTAGE	
B04	= 12 VDC
B05	= 24 VDC
B09	= 24 VDC (2W)
B56	= 24V (50-60 Hz)
B57	= 110V (50-60 Hz)
B58	= 230 V (50-60 Hz)
C04	= 12 VDC
C05	= 24 VDC
T	
C09	= 24 VDC (2W)
C56	= 24 V (50-60 Hz)
C57	= 110 V (50-60 Hz)
C58	= 230 V (50-60 Hz)
F04	= 12 VDC
F05	= 24 VDC
F56	= 24 V (50-60 Hz)
F57	= 110 V (50-60 Hz)
F58	= 230 V (50-60 Hz)
TEMPERATURE OPTIONS	
	= Standard valves (-10 ... +50)
LT	= Low temperature valves (-30 ... +50)
O	= ATEX valves (-20 ... +40)

Minimum pilot pressure 2,5 bar
Maximum fitting torque 9 N/m
“LT” and “ATEX” versions are not available with MF coils

M514.42.00.35.O Weight 410 g



M514.52.00.35.O Weight 405 g



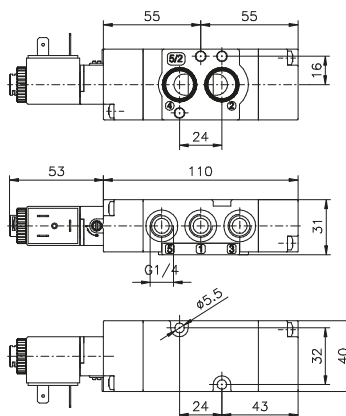
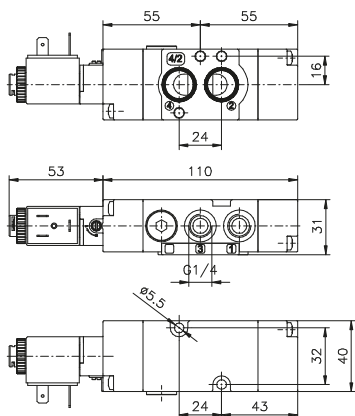
1
AIR DISTRIBUTION

Solenoid-Differential

Coding: **M**514.**F**.00.36**T****⊙**

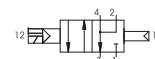
Operational characteristics	
Fluid	Filtered air. No lubrication needed, if applied it shall be continuous
Max working pressure (bar)	10
Temperature °C	Standard valves (-10 ... +50) Low temperature valves (-30 ... +50) ATEX valves (-20 ... +40)
Flow rate at 6 bar with Δp=1 (NI/min)	1100
Orifice size (mm)	8
Working ports size	G 1/4"

M	MODEL
	= Standard valve
	X = ATEX valve
F	FUNCTION
	42 = 4 ways
	52 = 5 ways
	VOLTAGE
	B04 = 12 VDC
	B05 = 24 VDC
	B09 = 24 VDC (2W)
	B56 = 24V (50-60 Hz)
	B57 = 110V (50-60 Hz)
	B58 = 230 V (50-60 Hz)
	C04 = 12 VDC
	C05 = 24 VDC
T	C09 = 24 VDC (2W)
	C56 = 24 V (50-60 Hz)
	C57 = 110 V (50-60 Hz)
	C58 = 230 V (50-60 Hz)
	F04 = 12 VDC
	F05 = 24 VDC
	F56 = 24 V (50-60 Hz)
	F57 = 110 V (50-60 Hz)
	F58 = 230 V (50-60 Hz)
	TEMPERATURE OPTIONS
	= Standard valves (-10 ... +50)
⊙	LT = Low temperature valves (-30 ... +50)
	= ATEX valves (-20 ... +40)

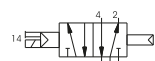


Minimum pilot pressure 2.5 bar
Maximum fitting torque 9 N/m
“LT” and “ATEX” versions are not available with MF coils

M514.42.00.36**T****⊙** Weight 330 g



M514.52.00.36**T****⊙** Weight 325 g

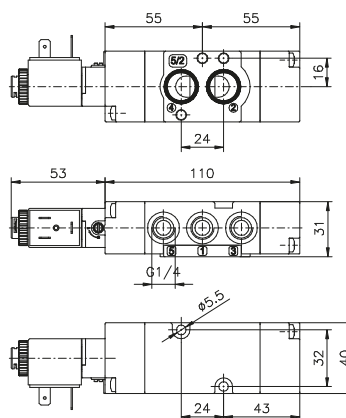
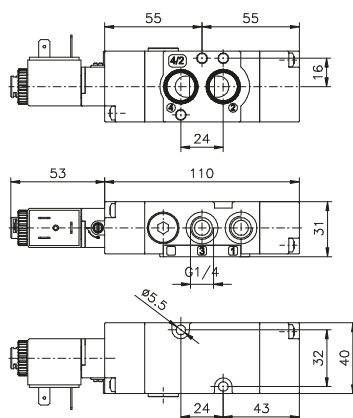


1 AIR DISTRIBUTION

Solenoid - Spring

Coding: **M**514.**F**.00.39**T****O**

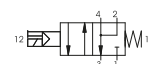
Operational characteristics	
Fluid	Filtered air. No lubrication needed, if applied it shall be continuous
Max working pressure (bar)	10
Temperature °C	Standard valves (-10 ... +50) Low temperature valves (-30 ... +50) ATEX valves (-20 ... +40)
Flow rate at 6 bar with Δp=1 (NI/min)	1100
Orifice size (mm)	8
Working ports size	G 1/4"



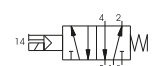
M	MODEL
	= Standard valve
	X = ATEX valve
	FUNCTION
F	42 = 4 ways
	52 = 5 ways
	VOLTAGE
	B04 = 12 VDC
	B05 = 24 VDC
	B09 = 24 VDC (2W)
	B56 = 24V (50-60 Hz)
	B57 = 110V (50-60 Hz)
	B58 = 230 V (50-60 Hz)
	C04 = 12 VDC
	C05 = 24 VDC
T	C09 = 24 VDC (2W)
	C56 = 24 V (50-60 Hz)
	C57 = 110 V (50-60 Hz)
	C58 = 230 V (50-60 Hz)
	F04 = 12 VDC
	F05 = 24 VDC
	F56 = 24 V (50-60 Hz)
	F57 = 110 V (50-60 Hz)
	F58 = 230 V (50-60 Hz)
	TEMPERATURE OPTIONS
	= Standard valves (-10 ... +50)
O	LT = Low temperature valves (-30 ... +50)
	= ATEX valves (-20 ... +40)

Minimum pilot pressure 2,5 bar
Maximum fitting torque 9 N/m
“LT” and “ATEX” versions are not available with MF coils

M514.42.00.39**T****O** Weight 330 g



M514.52.00.39**T****O** Weight 325 g



1
AIR DISTRIBUTION

Universal kit

Operational characteristics

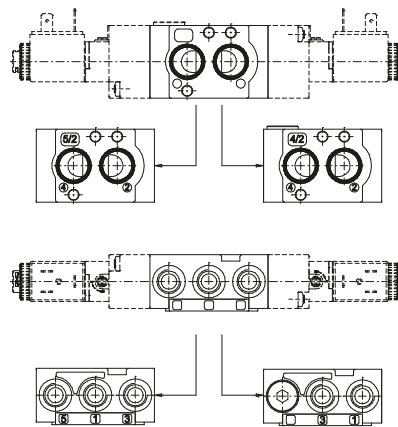
Fluid	Filtered air. No lubrication needed, if applied it shall be continuous
Max working pressure (bar)	10
Temperature °C	Standard valves (-10 ... +50) Low temperature valves (-30 ... +50) ATEX valves (-20 ... +40)
Flow rate at 6 bar with $\Delta p=1$ (NI/min)	1100
Orifice size (mm)	8
Working ports size	G 1/4"

MODEL	
M	= Standard valve
X	= ATEX valve
VERSION	
16	= Pneumatic - Differential
18	= Pneumatic - Pneumatic
V	19 = Pneumatic - Spring
35	= Solenoid - Solenoid
36	= Solenoid - Differential
39	= Solenoid - Spring
VOLTAGE	
B04	= 12 VDC
B05	= 24 VDC
B09	= 24 VDC (2W)
B56	= 24V (50-60 Hz)
B57	= 110V (50-60 Hz)
B58	= 230V (50-60 Hz)
C04	= 12 VDC
C05	= 24 VDC
T	C09 = 24 VDC (2W)
C56	= 24 V (50-60 Hz)
C57	= 110 V (50-60 Hz)
C58	= 230 V (50-60 Hz)
F04	= 12 VDC
F05	= 24 VDC
F56	= 24 V (50-60 Hz)
F57	= 110 V (50-60 Hz)
F58	= 230 V (50-60 Hz)
TEMPERATURE OPTIONS	
O	= Standard valves (-10 ... +50)
LT	= Low temperature valves (-30 ... +50)
	= ATEX valves (-20 ... +40)

Minimum pilot pressure 2,5 bar
Maximum fitting torque 9 N/m
“LT” and “ATEX” versions are not available with MF coils

To change a 5/2 valve into a 4/2:
Simply replace the bottom plate with the one included in the universal kit (cod. 514.92....) and by plugging port 5

Weight 405 g



AIR DISTRIBUTION

1