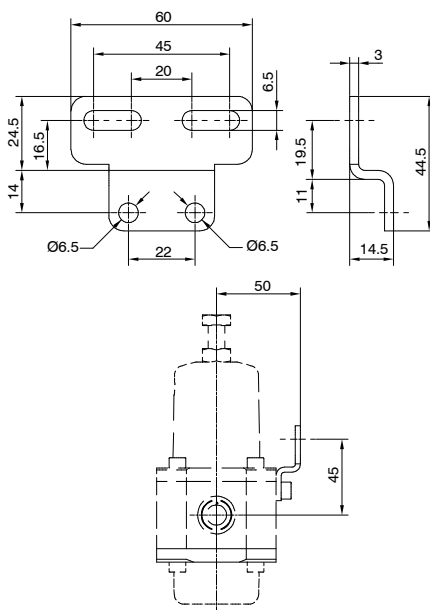


► Fixing bracket

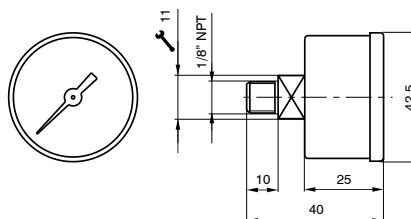


Weight 32 gr.
AISI 316L stainless steel material.
Allows wall fixing of individual products.

Ordering code

SS17350

► Pressure gauge



Weight 60 gr.
AISI 316 stainless steel material.
Glass transparent part with an AISI 316 stainless steel retaining ring.
Available with 0 - 4 bar and 0 - 12 bar scale.

Ordering code

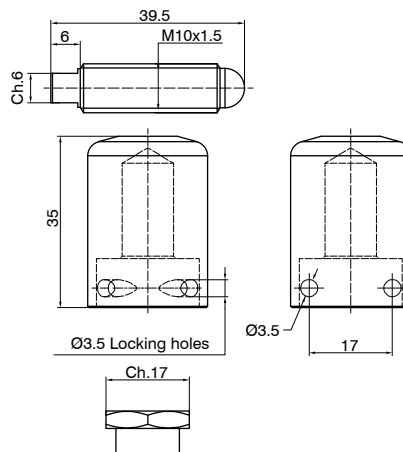
SS17070A[Ⓢ]

SCALE

[Ⓢ] A = 0 - 4 bar

B = 0 - 12 bar

► Tamper-proof kit



Weight 116 gr.
AISI 316L stainless steel material.
Padlockable tamper-proof kit:
Replace screw and nut with those included in the kit, insert the cover, lock with padlock or metal wire.

Ordering code

SS17255