

Accessories

Sensor

M12 or M8
connector;
PNP or NPN



Patented



EC001

Sensor cable



Auto-retaining device

for opening position An extremely light device which maintains the clamping arm in its defined opening position in case of air loss. The AR-series has been designed for **maximum load capacity** and due to its compact dimensions, it can be used on the same side of the manual operation handle.



Patented

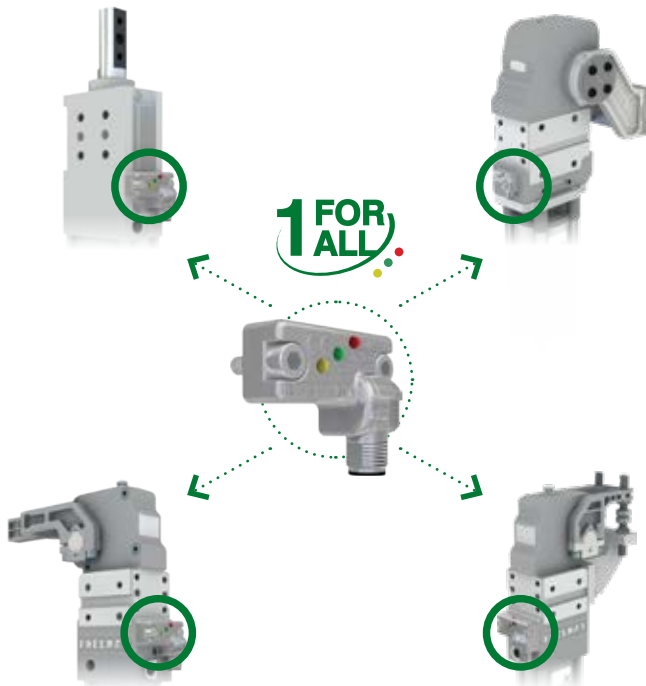


Shims and spacers



Sensor

ES001. Electronic sensor used for all clamps, all sizes and series

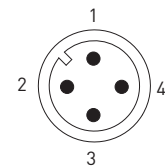
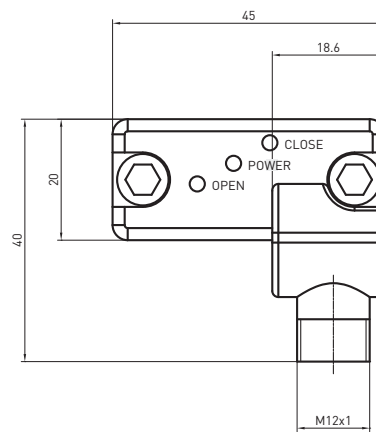
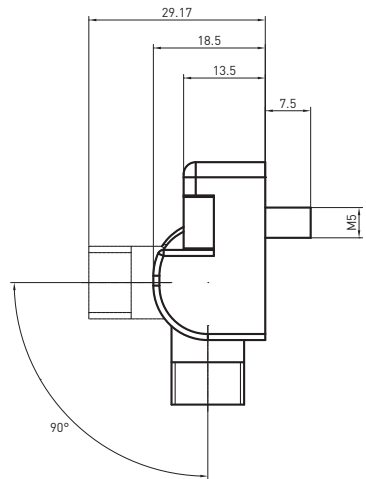


Technical features

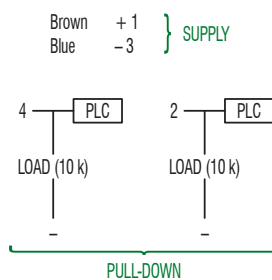
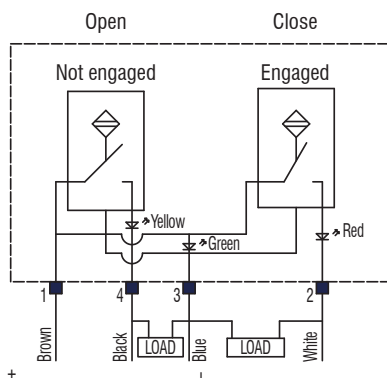
| | |
|-------------------------------|-----------------------------|
| Operating voltage | 10-30 VDC |
| Voltage drop | ≤ 2 V |
| Load current | ≤ 100 mA |
| Current consumption | ≤ 30 mA |
| Short-circuit protection | protected |
| Protection rating | IP68 |
| Operating temperature | -0 °C +50 °C |
| Storage temperature | -25 °C +60 °C |
| Electromagnetic compatibility | EN 60947-5-2:2007 + A1:2012 |
| Power supply indication | green LED |
| Open position indication | yellow LED |
| Closed position indication | red LED |
| Digital output type | PNP |

ES001 / Electronic sensor with M12 swivel connector - PNP

REV. 00 - 31/03/2015

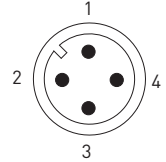
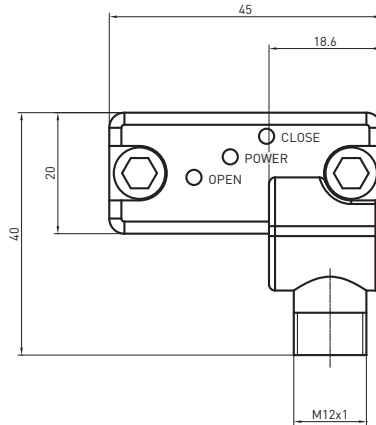
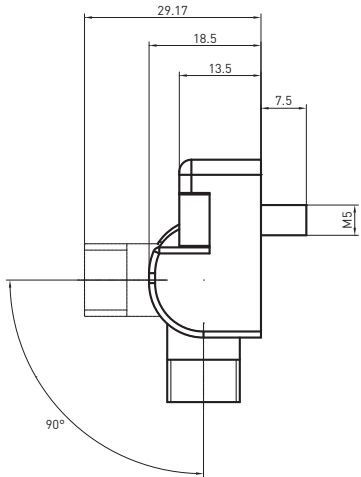


Simplified diagram (PNP)

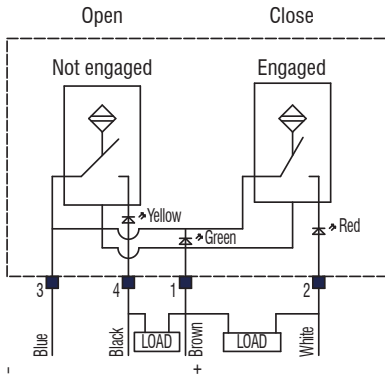


ES002 / Electronic sensor with M12 swivel connector - NPN

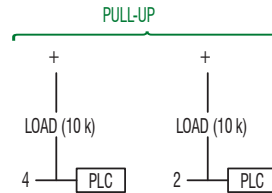
REV. 00 - 31/03/2015



Simplified diagram (NPN)

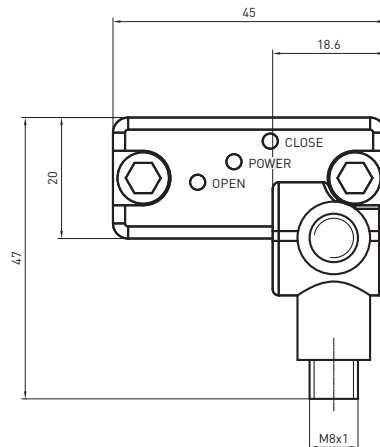
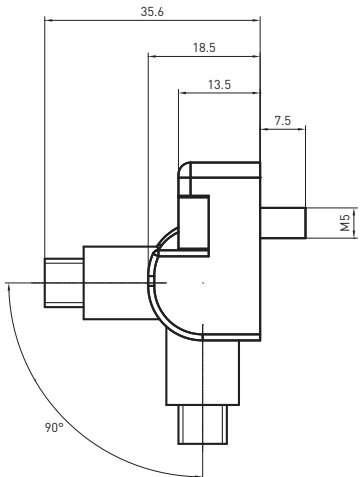


Brown +1 } SUPPLY
Blue -3 }



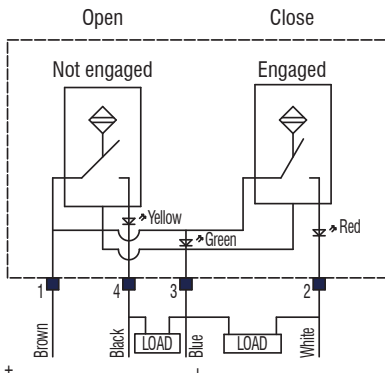
ES003 / Electronic sensor with M8 swivel connector - PNP

REV. 00 - 31/03/2015

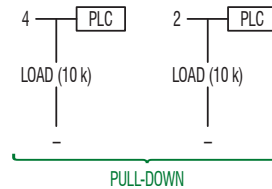


ACCESSORIES

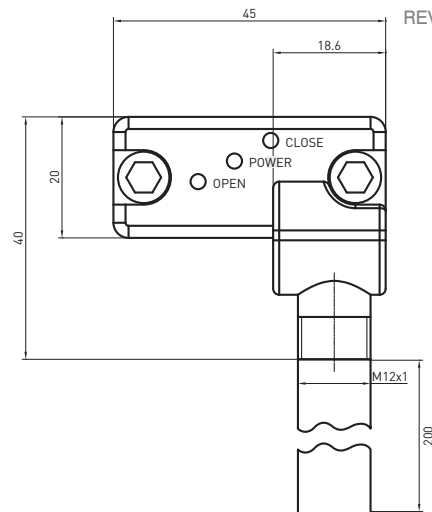
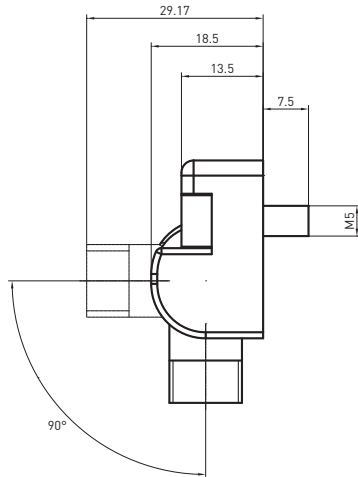
Simplified diagram (PNP)



Brown +1 } SUPPLY
Blue -3 }

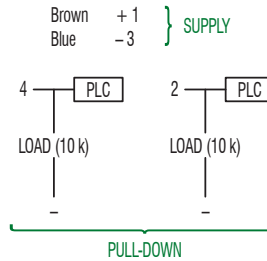
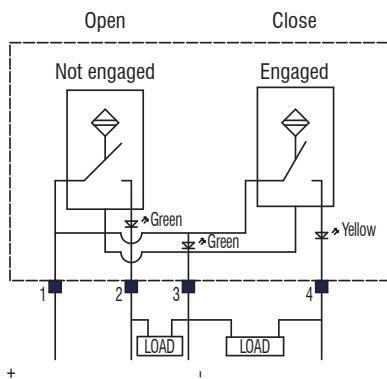


ES004 / Electronic sensor with M12 swivel connector - PNP



REV. 00 - 12/12/2016

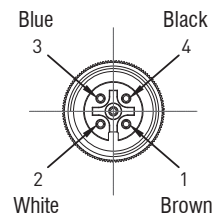
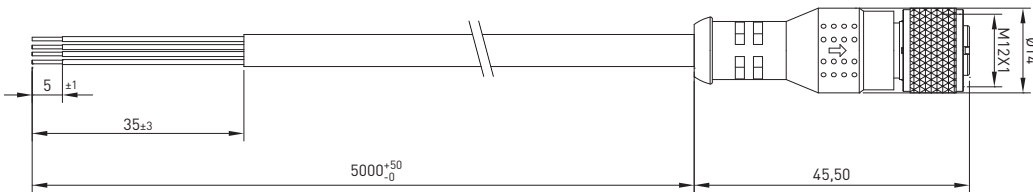
Simplified diagram (PNP)



| Technical features | |
|----------------------------|------------|
| Power supply indication | green LED |
| Open position indication | green LED |
| Closed position indication | yellow LED |

Cable

EC001-05



Technical features

| Connector features | |
|--------------------|---|
| Product type | M12 circular connector with moulded cable |
| Connector type | Straight 180° |
| Contacts type | Female 4 poles |
| Pin | 4 |
| Protection class | IP69K |
| Rated voltage | 250V AC/DC |
| Rated current | 4 A |

| Cable features | |
|--------------------------------|------------------------------|
| Pneumax cable code | EC001-05 |
| Numbers of conductors | 4 |
| Conductors section | 0,34 mm ² (AWG22) |
| Cable material | PUR UL style 21576 |
| Coating colour | Black |
| Conductors insulation material | TPO |
| Cable length | 5000 mm |
| Stripping | 35 mm Standard |
| Peeling and tinning | 5 mm Standard |

* DIMENSIONAL TOLERANCE FOR DOWEL HOLES: ±0.02
DIMENSIONAL TOLERANCE FOR THREADED HOLES: ±0.1
REV. 00 - 03/04/2015



High flex (class 6)