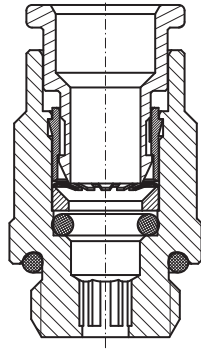


Fittings



Patented



Brass push-in fittings for welding applications

- No covers required spatter-proof
- Prolonged thrust sleeve for optimal protection of the tube against welding debris
- The internal components are optimally guided for an enhanced retaining of the tubes
- Specific for 3-layer polyurethane tube

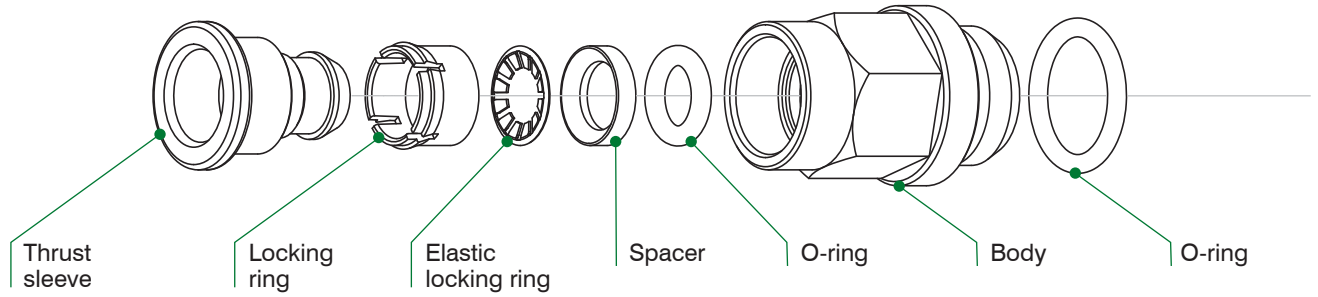
60

01AT0614 pag. 164	01AT0618 pag. 164	03AT0600 pag. 164	04AT06L0 pag. 165	05AT0600 pag. 165	08AT0806 pag. 165	15AT0618 pag. 166	15AT0614 pag. 166	
22AT06M5 pag. 166	22AT0614 pag. 167	22AT0618 pag. 167	22LAT0614 pag. 167	22LAT0618 pag. 168	29AT0614 pag. 168	29AT0618 pag. 168	29AT0614P pag. 169	29AT0618P pag. 169
07AT0600 pag. 169	23AT0600 pag. 170	105ATM318 pag. 170	10AT0600 pag. 170					

80

01AT0814 pag. 171	01AT0818 pag. 171	03AT0800 pag. 171	04AT08L0 pag. 172	05AT0800 pag. 172	08EAT0608 pag. 172	15AT0818 pag. 173	15AT0814 pag. 173	
22AT0814 pag. 173	22AT0818 pag. 174	22LAT0814 pag. 174	22LAT0818 pag. 174	29AT0814 pag. 175	29AT0818 pag. 175	29AT0814P pag. 175	29AT0818P pag. 176	29AT0838 pag. 176
07AT0800 pag. 176	23AT0800 pag. 177	10AT0800 pag. 177						

COMPLEMENTARY PRODUCTS



Ø 10

01AT1038 pag. 177	01AT1012 pag. 178	03FAT1000 pag. 178	05AT1000 pag. 178	07AT1000 pag. 179	10AT1000 pag. 179	15AT1038 pag. 179
22AT1038 pag. 180	22AT1012 pag. 180	29AT1038 pag. 180				

Selection of accessories

+

6.01.05.F pag. 181	6.01.18/F pag. 181	6.01.18/F with lock nut pag. 181	6.01.F G1/8" pag. 182	6.01.14/1 pag. 182	6.01.F G1/4" pag. 182	6.01.F G1/2" pag. 183	06.01.34 pag. 183		
6.02.I pag. 183	6.02.I.C.L pag. 184	6.04.I pag. 184	6.04.04 pag. 185	6.07.18.G pag. 185	6.07.T pag. 185	6.08.C/4 pag. 186	6.08.C/8 pag. 186	6.09.14.F pag. 187	6.09.12.F pag. 187
AT50C18V pag. 187	AT50C18PVM pag. 188	AT50C14V pag. 188	AT50C14PVM pag. 188	AT50C38V pag. 189	AT50C38PVM pag. 189	PNM0392 pag. 190	PNM0393 pag. 190	PNM0394 pag. 191	PNM0395 pag. 191

COMPLEMENTARY PRODUCTS

01AT0614

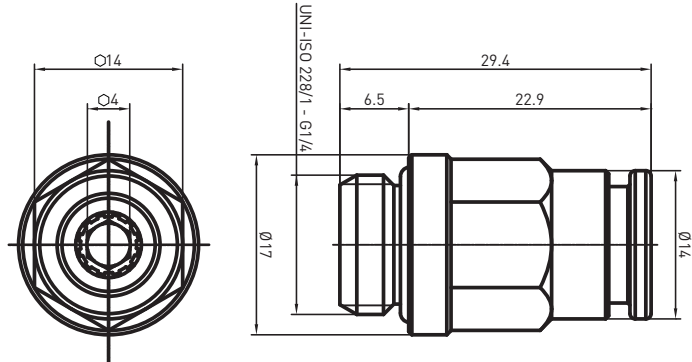
REV. 00 - 12/10/2018



Straight fitting

Ø6 G1/4"

AT Series with NBR seals



01AT0618

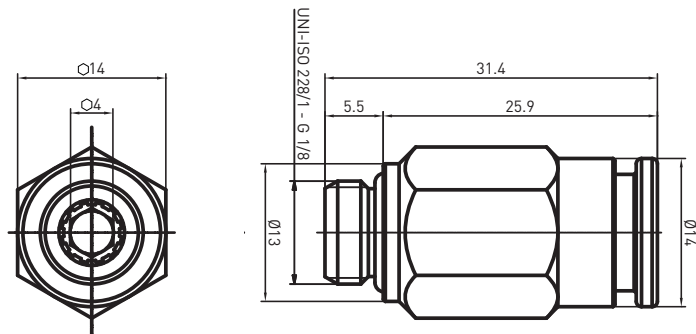
REV. 00 - 12/10/2018



Straight fitting

Ø6 G1/8"

AT Series with NBR seals



03AT0600

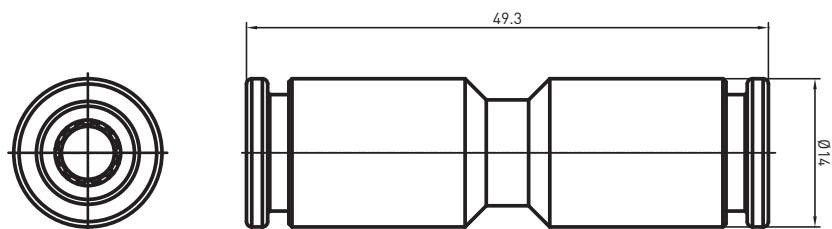
REV. 00 - 15/10/2018



Straight connector

Ø6

AT Series with NBR seals



04AT06L0

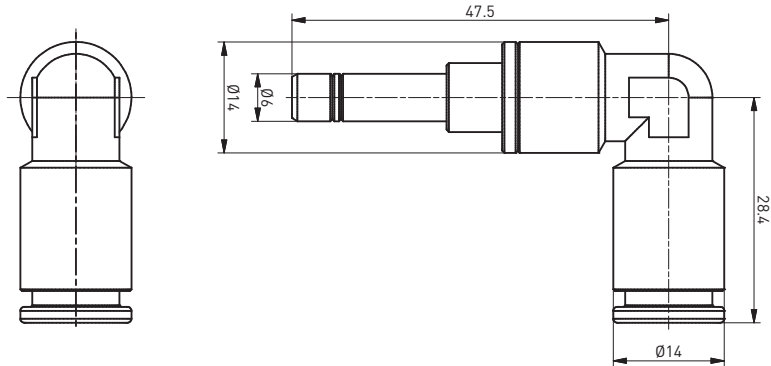
REV. 00 - 15/10/2018



Elbow connector

Ø6

AT Series with NBR seals



05AT0600

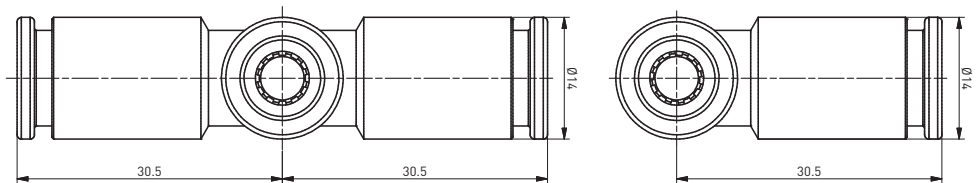
REV. 00 - 29/11/2018



T connector

Ø6

AT Series with NBR seals



08AT0806

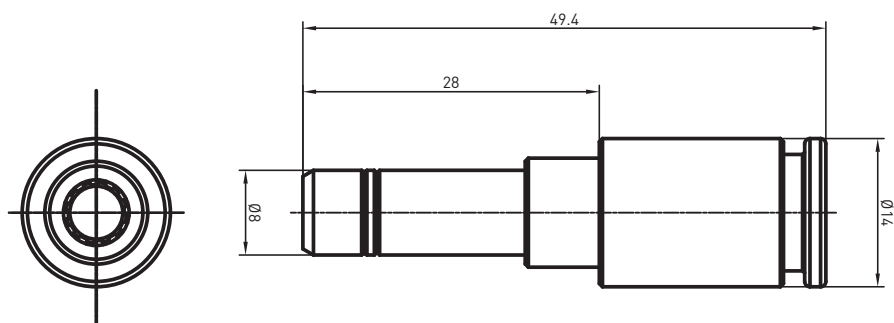
REV. 00 - 27/09/2018



Plug-in reducer

Ø8M Ø6F

AT Series with NBR seals



15AT0618

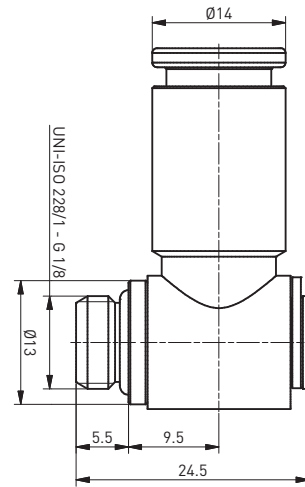
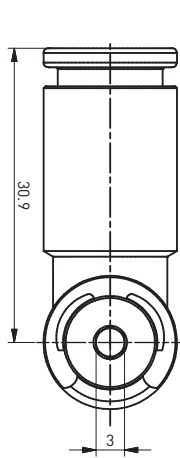
REV. 00 - 15/10/2018



Complete single banjo

Ø6 - G1/8"

AT Series with NBR seals



15AT0614

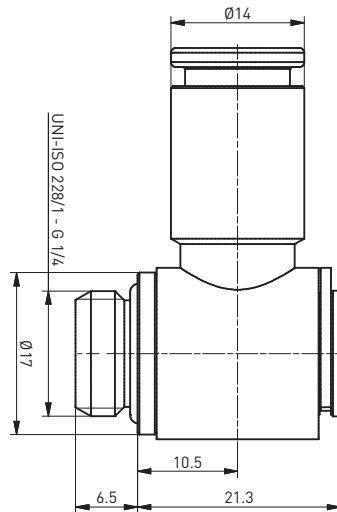
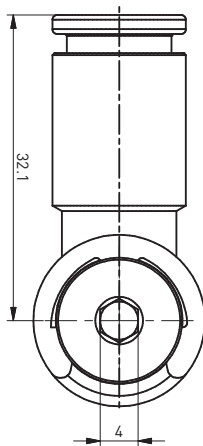
REV. 00 - 15/10/2018



Complete single banjo

Ø6 - G1/4"

AT Series with NBR seals



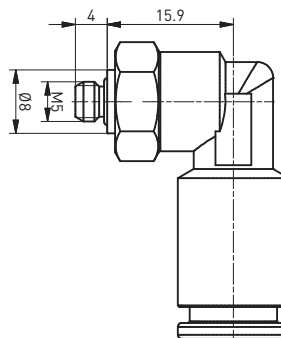
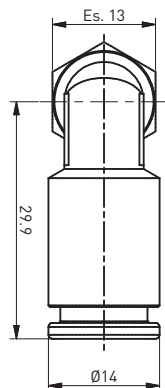
22AT06M5

REV. 00 - 29/11/2018



**Swivel elbow male
adaptor parallel**

Ø6 - M5



22AT0614

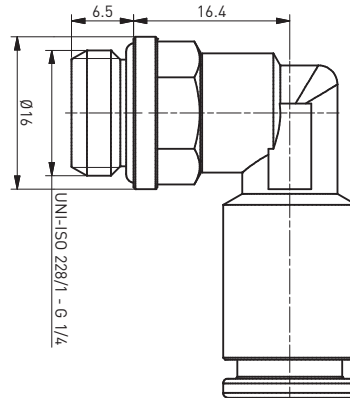
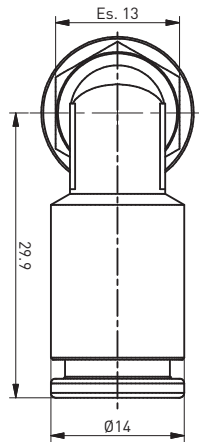
REV. 00 - 15/10/2018



**Swivel elbow male
adaptor parallel**

Ø6 - G1/4"

AT Series with NBR seals



22AT0618

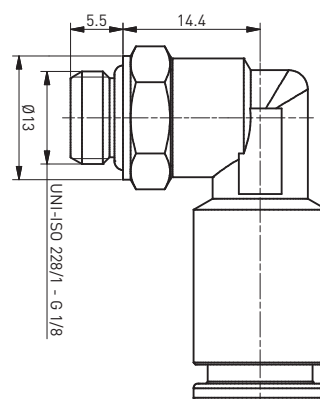
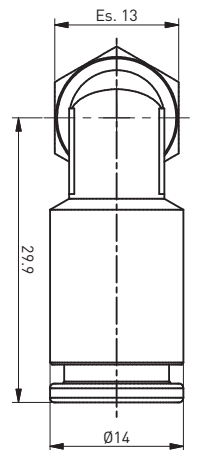
REV. 00 - 15/10/2018



**Swivel elbow male
adaptor parallel**

Ø6 - G1/8"

AT Series with NBR seals



22LAT0614

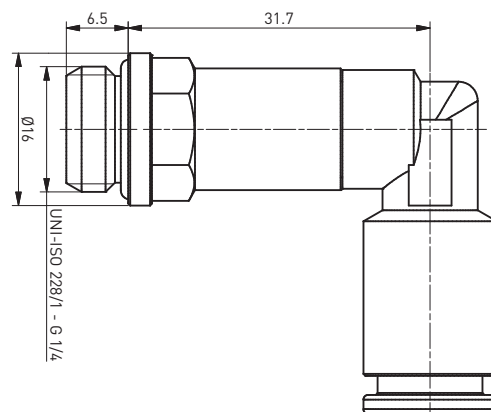
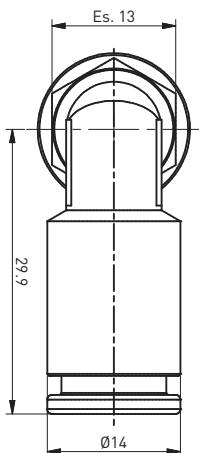
REV. 00 - 27/09/2018



**Swivel longer elbow
male adaptor parallel**

Ø6 - G1/4"

AT Series with NBR seals



22LAT0618

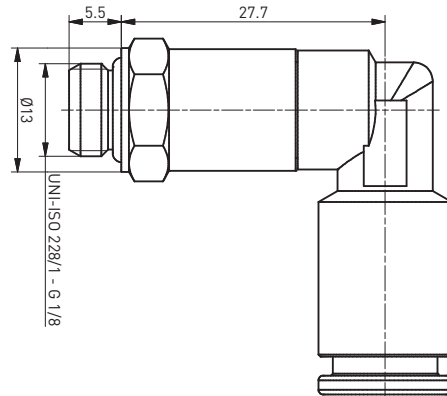
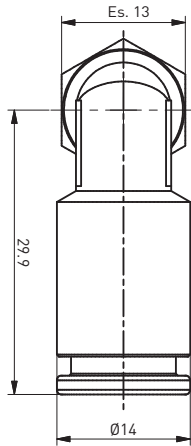
REV. 00 - 15/10/2018



**Swivel longer elbow
male adaptor parallel**

Ø6 - G1/8"

AT Series with NBR seals



29AT0614

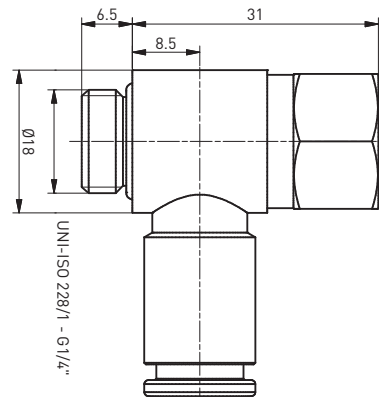
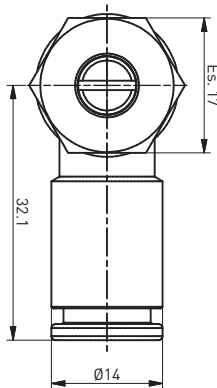
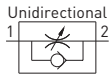
REV. 00 - 29/08/2018



Flow adjuster

Ø6 - G1/4"

AT Series with NBR seals



29AT0618

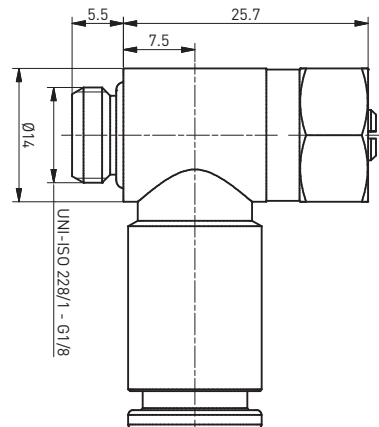
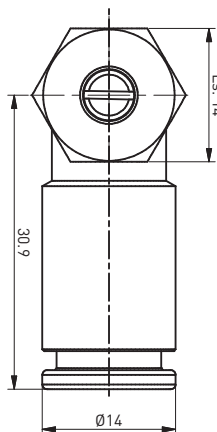
REV. 00 - 29/08/2018



Flow adjuster

Ø6 - G1/8"

AT Series with NBR seals



29AT0614P

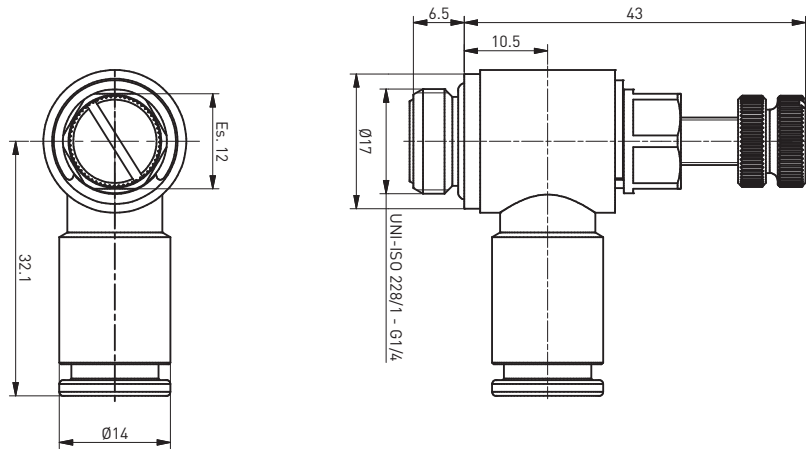
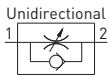
REV. 00 - 11/10/2018



Flow adjuster

Ø6 - G1/4"

AT Series with NBR seals



29AT0618P

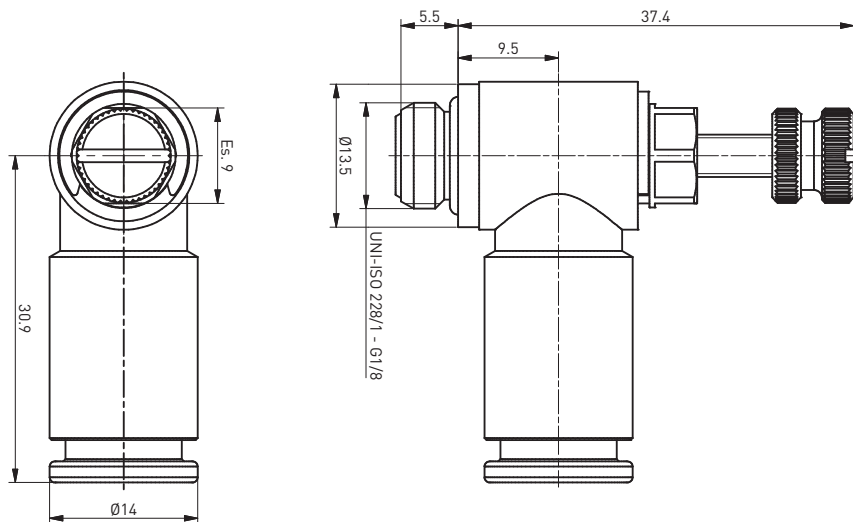
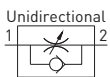
REV. 00 - 11/10/2018



**Swivel elbow male
adaptor parallel**

Ø6 - G1/8"

AT Series with NBR seals



07AT0600

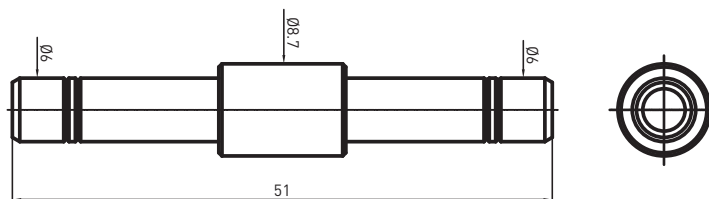
REV. 00 - 11/09/2018



Connector

Ø6

AT Series



23AT0600

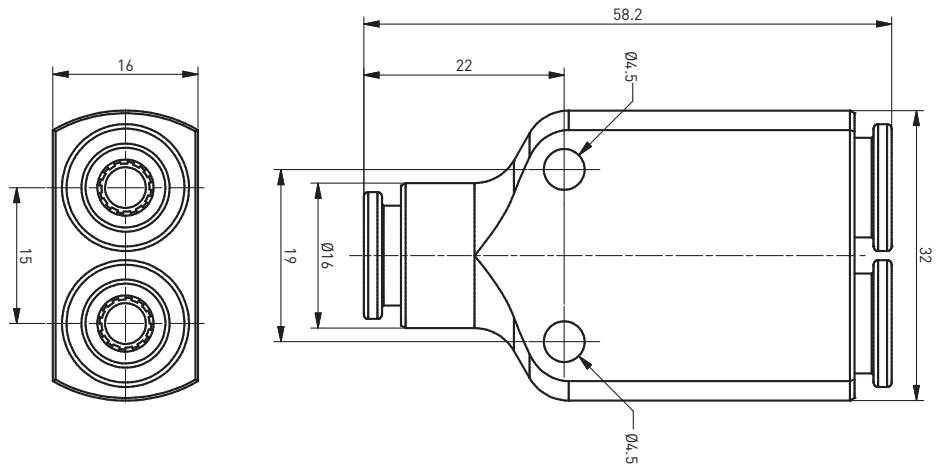
REV. 00 - 06/03/2019



Y Connector

Ø6

AT Series



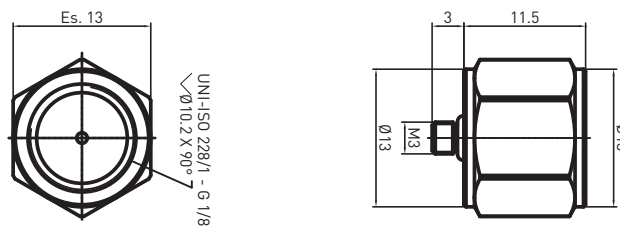
105ATM318

REV. 00 - 28/03/2018



Adaptator

M3 - 1/8"



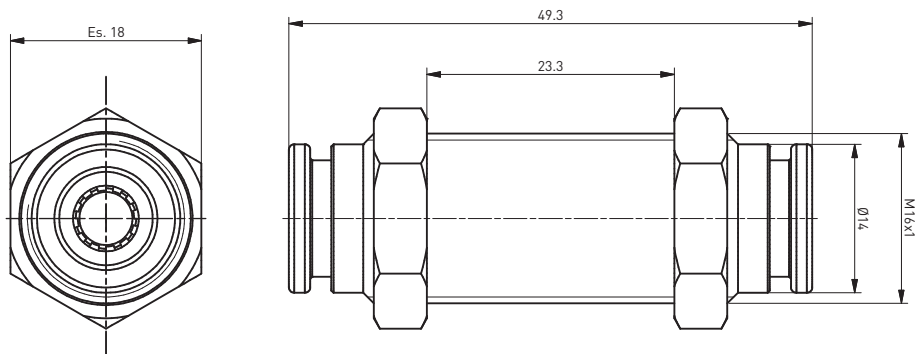
10AT0600

REV. 00 - 22/05/2019



**Straight threaded
connector**

Ø6 - M16x1



01AT0814

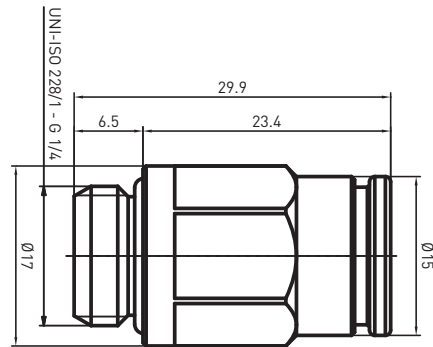
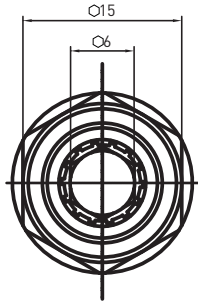
REV. 00 - 08/03/2018



Straight fitting

Ø8 G1/4"

AT Series with NBR seals



01AT0818

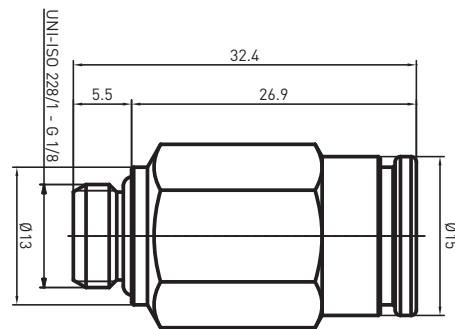
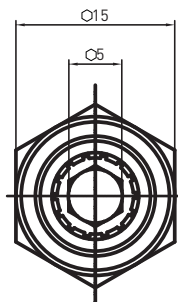
REV. 00 - 29/08/2018



Straight fitting

Ø8 G1/8"

AT Series with NBR seals



03AT0800

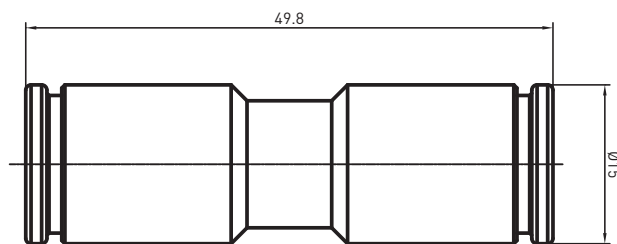
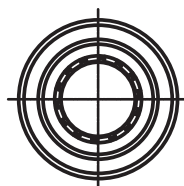
REV. 00 - 03/09/2018



Straight connector

Ø8

AT Series with NBR seals



04AT08L0

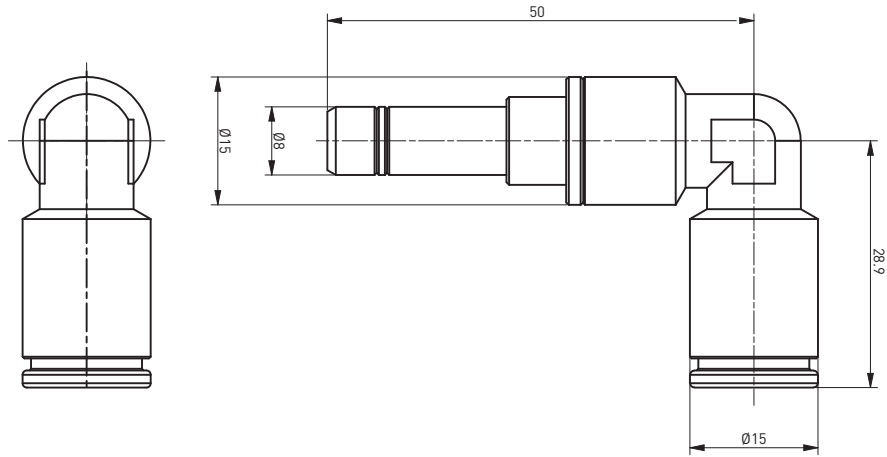
REV. 00 - 14/10/2018



Elbow connector

Ø8

AT Series with NBR seals



05AT0800

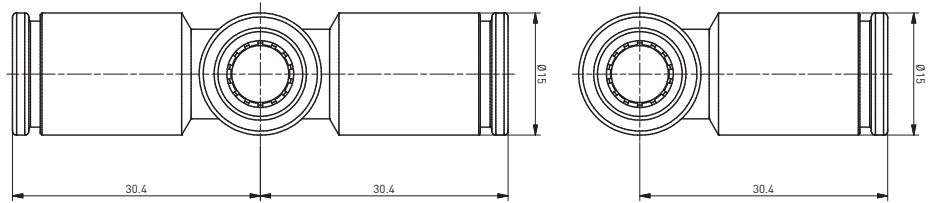
REV. 00 - 03/12/2018



T connector

Ø8

AT Series with NBR seals



08EAT0608

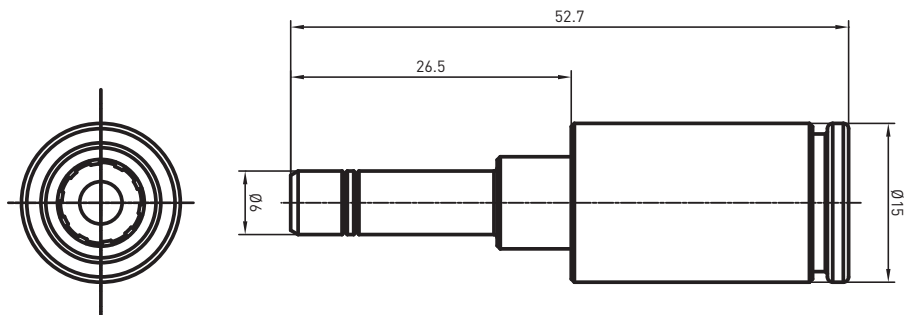
REV. 00 - 22/05/2019



Plug-in increaser

Ø6M Ø8F

AT Series with NBR seals

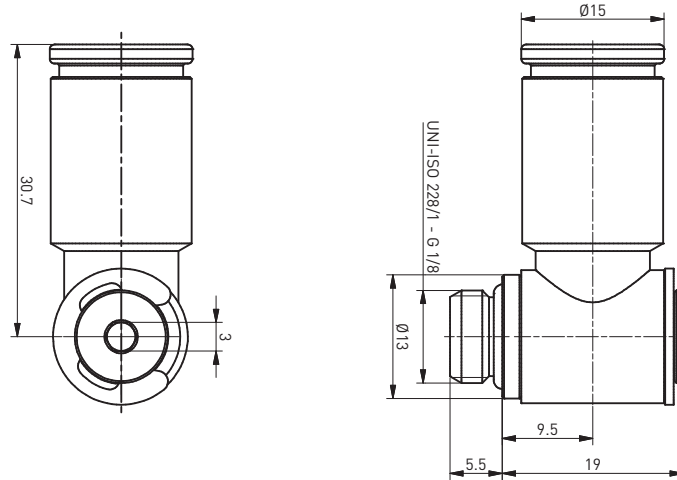


15AT0818

REV. 00 - 30/08/2018



Complete single banjo
Ø8 - G1/8"
AT Series with NBR seals

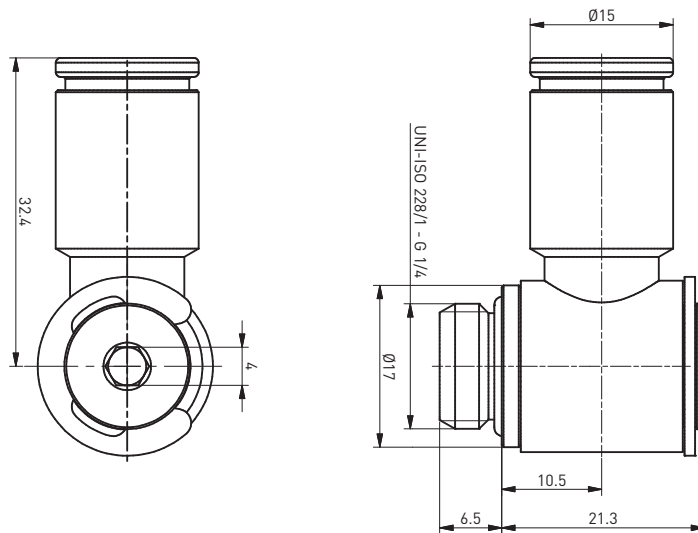


15AT0814

REV. 00 - 30/08/2018



Complete single banjo
Ø8 - G1/4"
AT Series with NBR seals

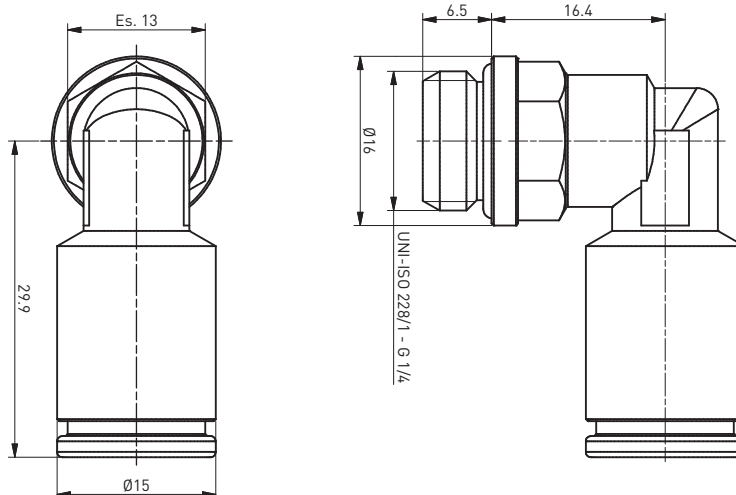


22AT0814

REV. 00 - 03/12/2018



**Swivel elbow male
adaptor parallel**
Ø8 - G1/4"
AT Series with NBR seals



22AT0818

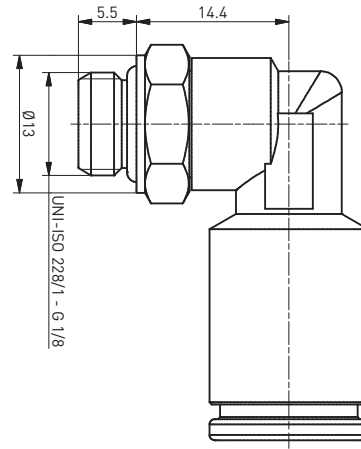
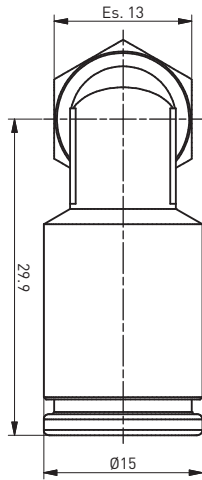
REV. 00 - 03/12/2018



**Swivel elbow male
adaptor parallel**

Ø8 - G1/8"

AT Series with NBR seals



22LAT0814

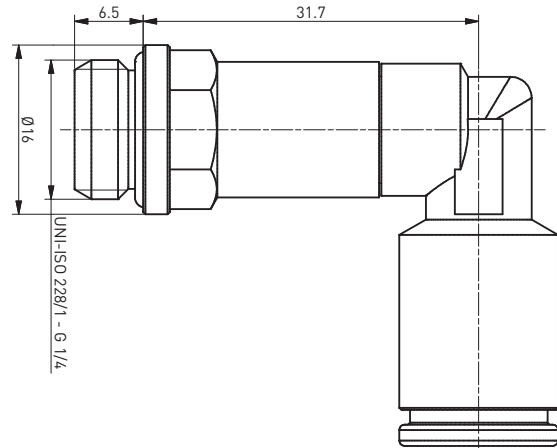
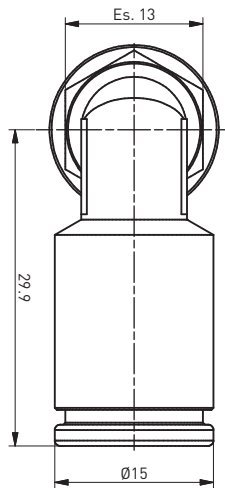
REV. 00 - 30/08/2018



**Swivel longer elbow
male adaptor parallel**

Ø8 - G1/4"

AT Series with NBR seals



22LAT0818

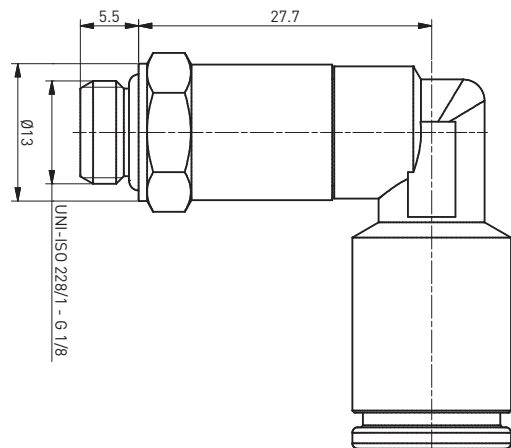
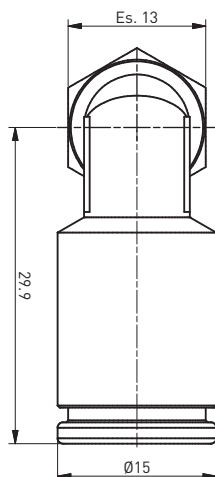
REV. 00 - 30/08/2018



**Swivel longer elbow
male adaptor parallel**

Ø8 - G1/8"

AT Series with NBR seals



29AT0814

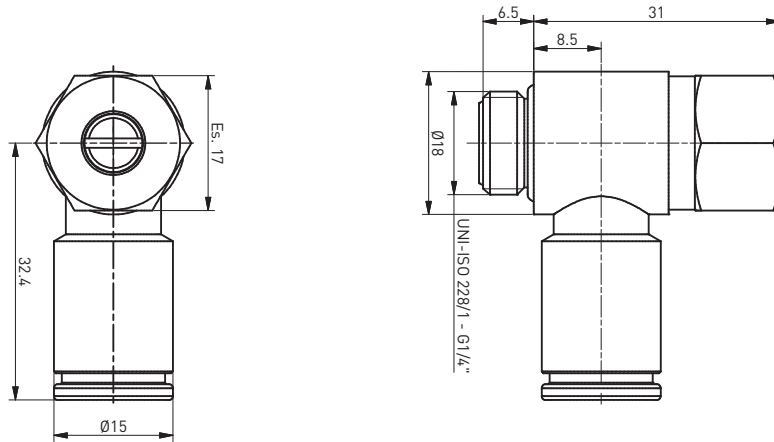
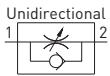
REV. 00 - 29/08/2018



Flow adjuster

Ø8 - G1/4"

AT Series with NBR seals



29AT0818

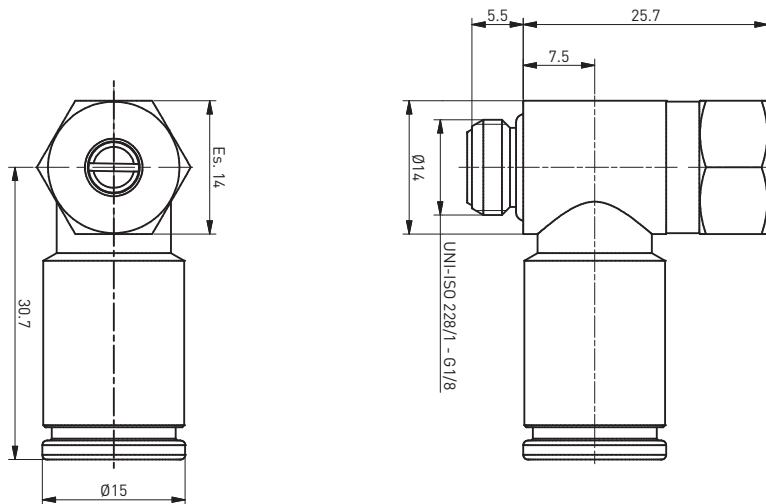
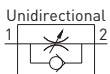
REV. 00 - 30/08/2018



Flow adjuster

Ø8 - G1/8"

AT Series with NBR seals



29AT0814P

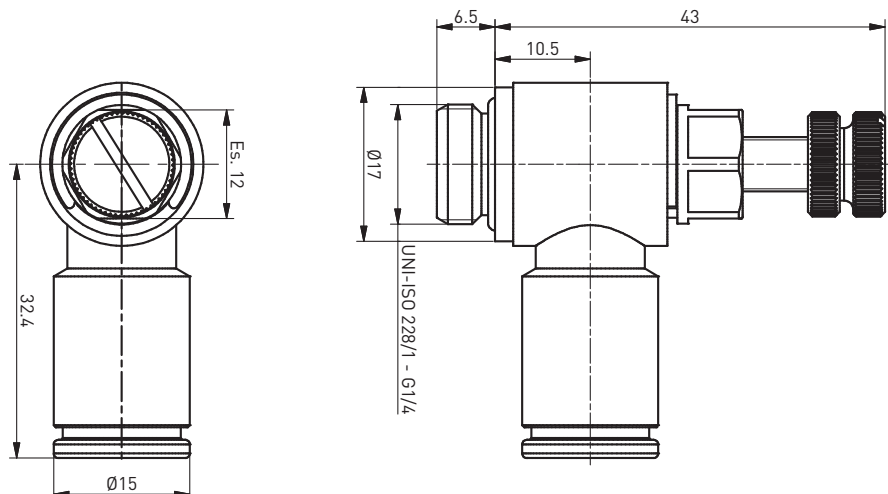
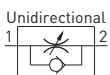
REV. 00 - 11/10/2018



Flow adjuster

Ø8 - G1/4"

AT Series with NBR seals



29AT0818P

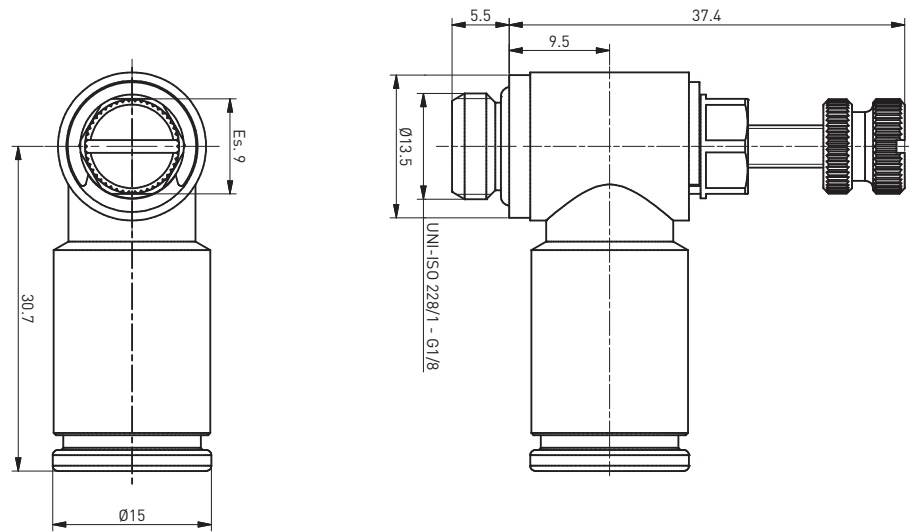
REV. 00 - 11/10/2018



Flow adjuster

8 - G1/8"

AT Series with NBR seals



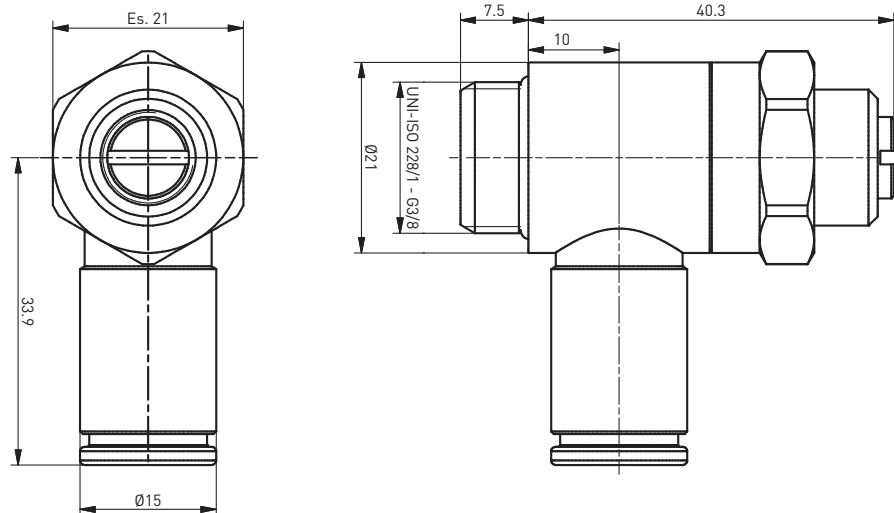
29AT0838

REV. 00 - 04/06/2019



Flow adjuster

Ø8 - G3/8



07AT0800

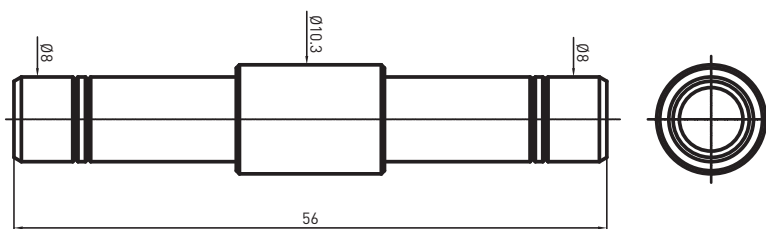
REV. 00 - 11/09/2018



Connector

Ø8

AT Series



23AT0800

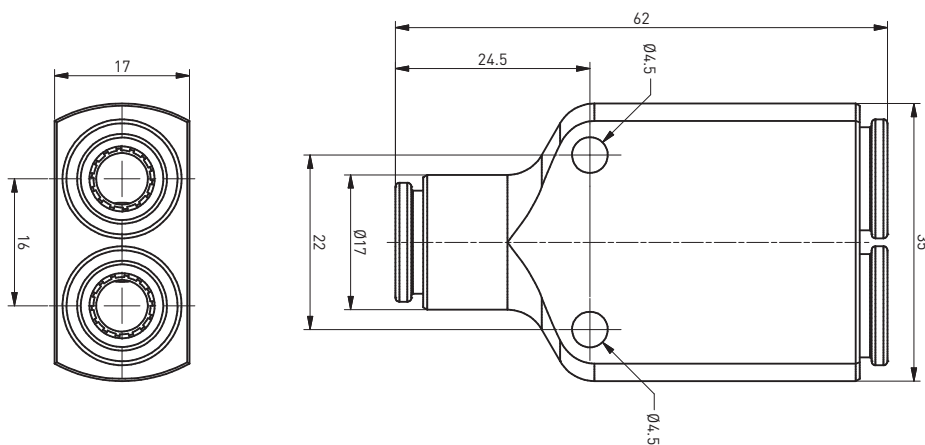


Y Connector

Ø8

AT Series

REV. 00 - 06/03/2019



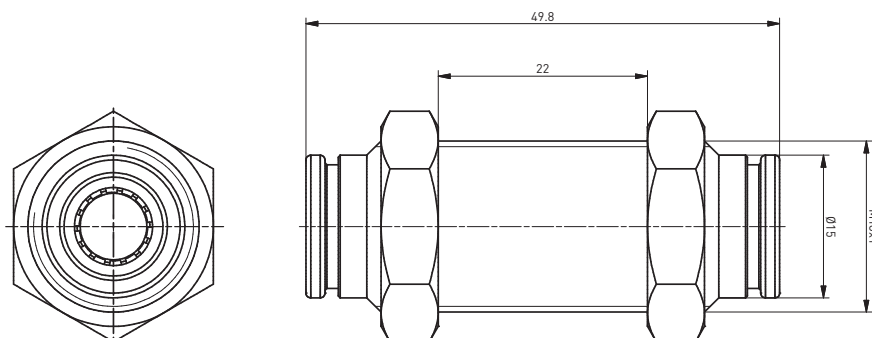
10AT0800



**Straight threaded
connector**

Ø8 - M18x1

REV. 00 - 22/05/2019



01AT1038

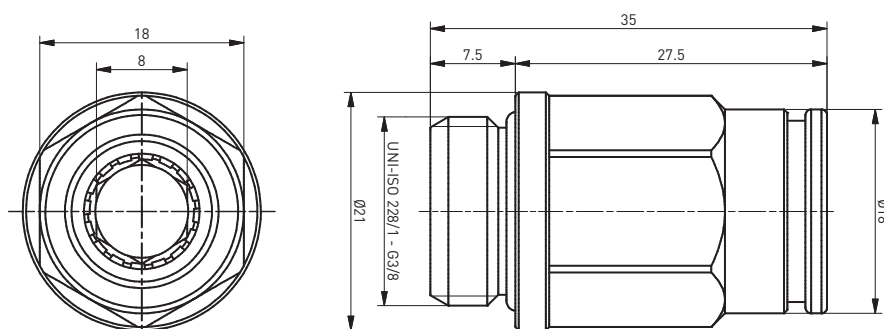


Straight fitting

Ø10 G3/8"

AT Series with NBR seals

REV. 00 - 28/05/2019



01AT1012

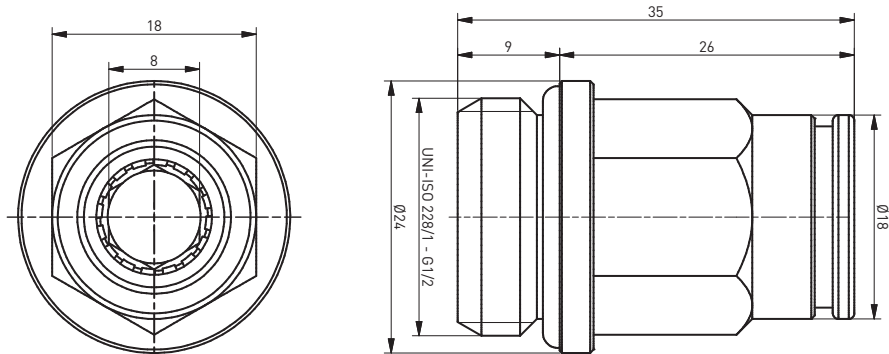
REV. 00 - 28/05/2019



Straight fitting

Ø10 G1/2"

AT Series with NBR seals



03FAT1000

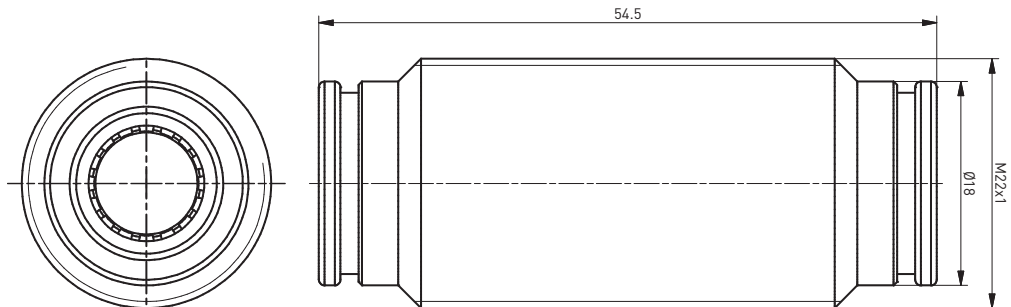
REV. 00 - 27/05/2019



**Straight threaded
connector**

Ø10

AT Series with NBR seals



05AT1000

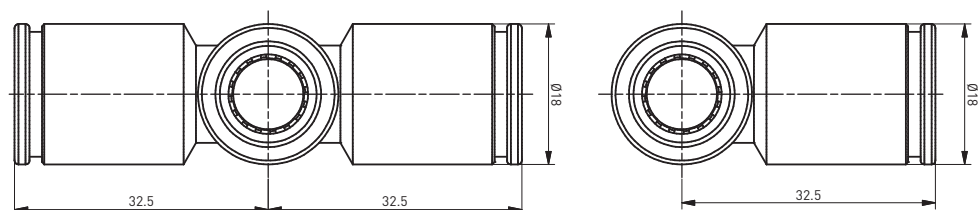
REV. 00 - 28/05/2019



T connector

Ø10

AT Series with NBR seals



07AT1000

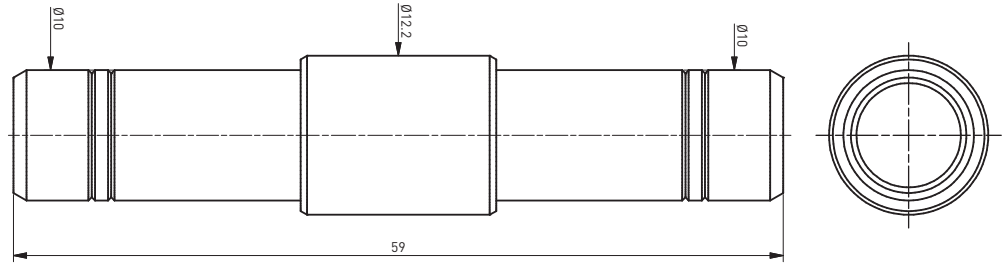
REV. 00 - 28/05/2019



Connector

Ø10

AT Series



10AT1000

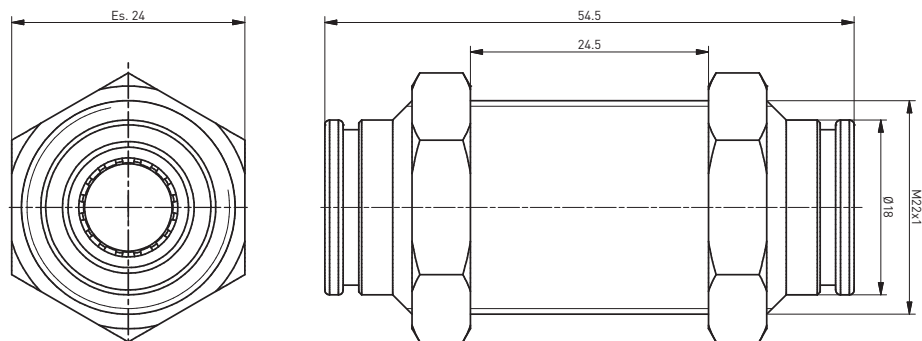
REV. 00 - 27/05/2019



Bulkhead connector

Ø10

AT Series with NBR seals



15AT1038

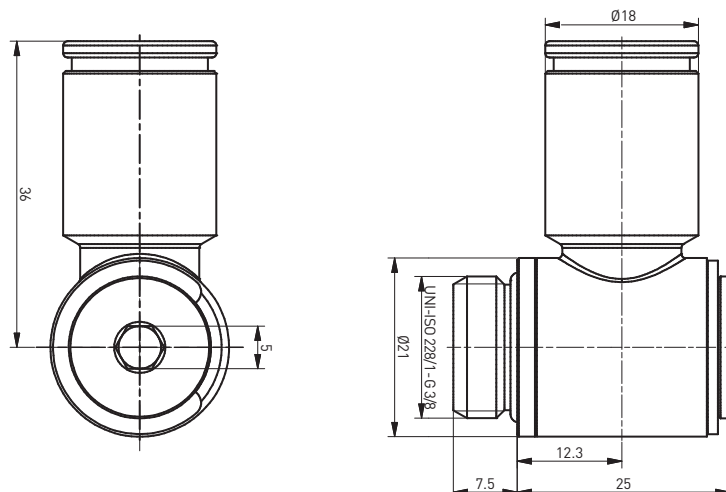
REV. 00 - 30/08/2018



Complete single banjo

Ø10 - G3/8"

AT Series with NBR seals



22AT1038

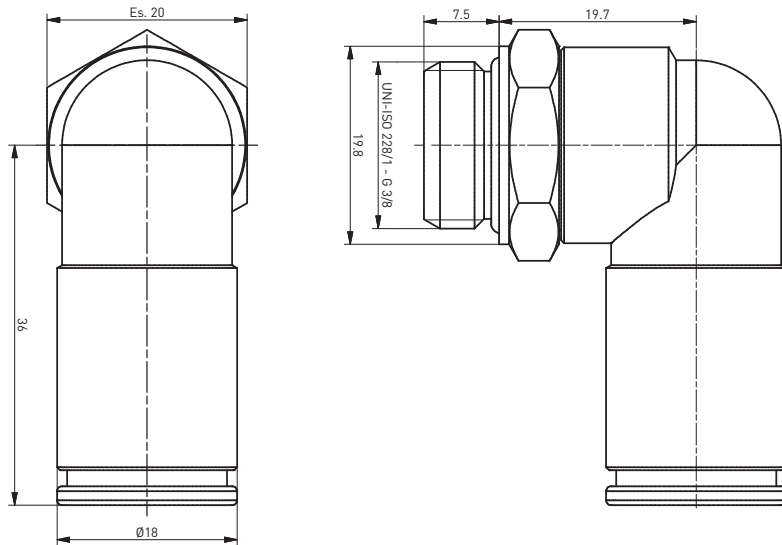
REV. 00 - 04/06/2019



**Swivel elbow male
adaptor parallel**

Ø10 - G3/8"

AT Series with NBR seals



22AT1012

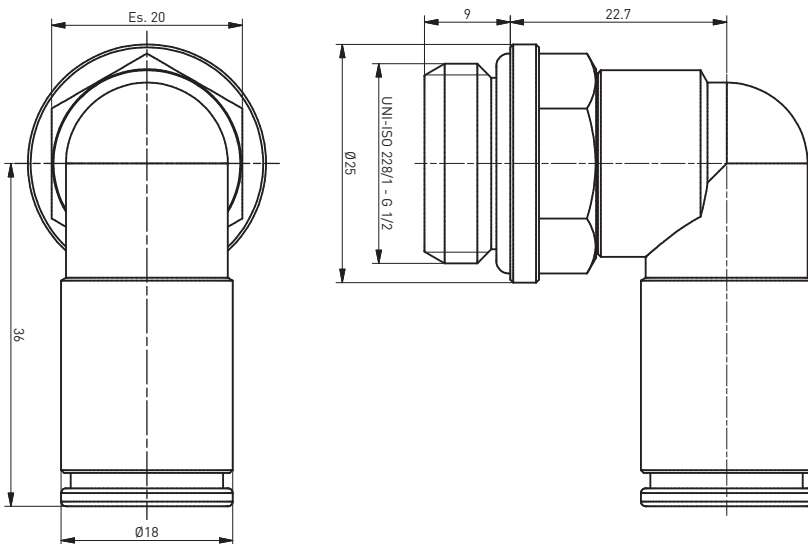
REV. 00 - 04/06/2019



**Swivel elbow male
adaptor parallel**

Ø10 - G1/2"

AT Series with NBR seals



29AT1038

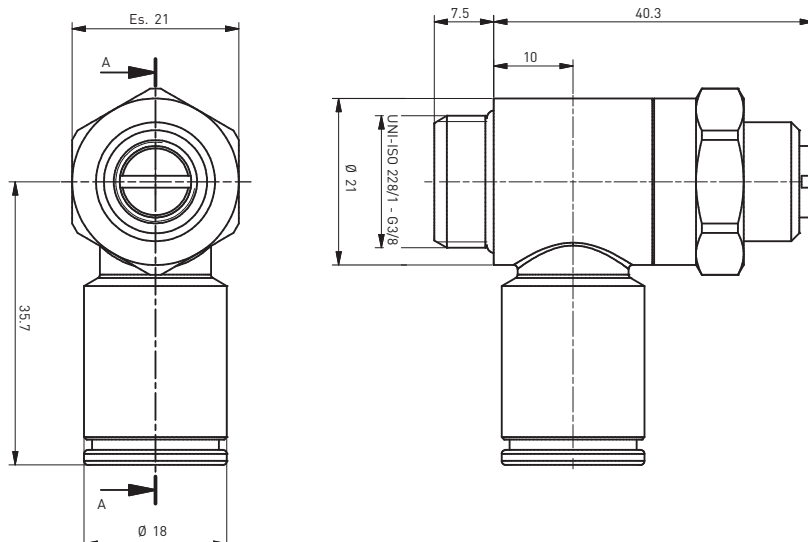
REV. 00 - 04/06/2019



Flow adjuster

Ø10 - G3/8"

AT Series with NBR seals



6.01.05.F

Function F 180 = Unidirectional 180/2 = Bidirectional

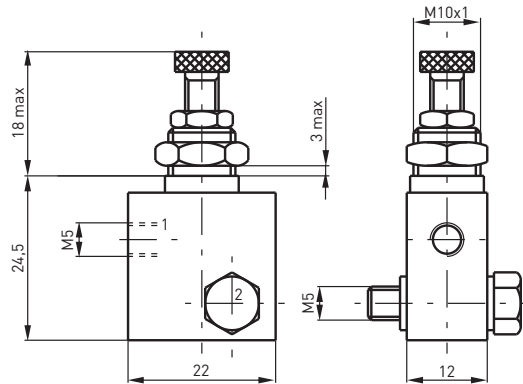
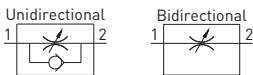


Fluid	Filtered air
Max working pressure (bar)	10
Temperature °C	-5 / +70
Orifice size (mm)	2

WEIGHT 52 g

REV. 00 - 31/03/2015

Flow control valve M5 with a through bolt



6.01.18/F

Function F 4 = Unidirectional 5 = Bidirectional



Fluid	Filtered air
Max working pressure (bar)	10
Temperature °C	-5 / +70
Orifice size (mm)	3

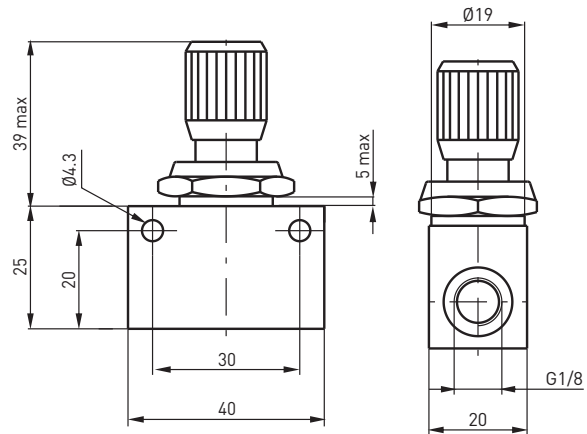
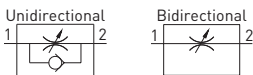
WEIGHT 100 g

REV. 00 - 31/03/2015

Flow control valve M5 with a through bolt

G1/8"

Ultrasensitive



6.01.18/F

Function F 6 = Unidirectional 7 = Bidirectional



Fluid	Filtered air
Max working pressure (bar)	10
Temperature °C	-5 / +70
Orifice size (mm)	3

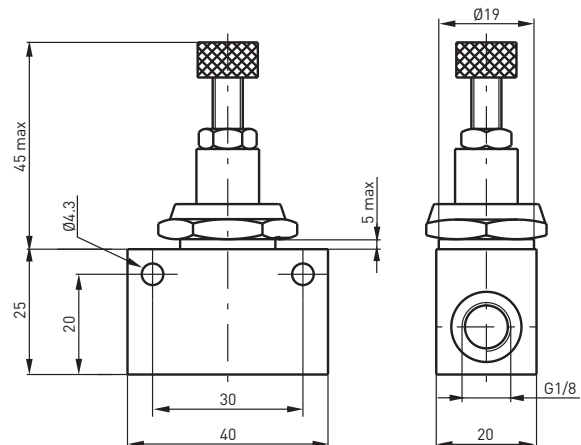
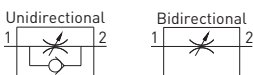
WEIGHT 105 g

REV. 00 - 31/03/2015

Flow control valve

G1/8"

Ultrasensitive with lock nut



6.01.F

Function F

18N = Unidirectional
18/1N = Bidirectional

18NE = Unidirectional economic version
18/1NE = Bidirectional economic version



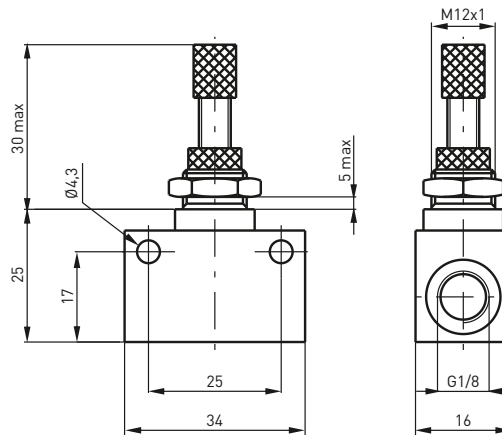
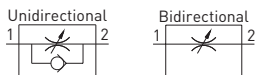
Fluid	Filtered air
Max working pressure (bar)	10
Temperature °C	-5 / +70
Orifice size (mm)	4

WEIGHT 50 g

REV. 00 - 31/03/2015

Flow control valve

G1/8"



6.01.14/1



Fluid	Filtered air
Max working pressure (bar)	10
Temperature °C	-5 / +70
Orifice size (mm)	5.5

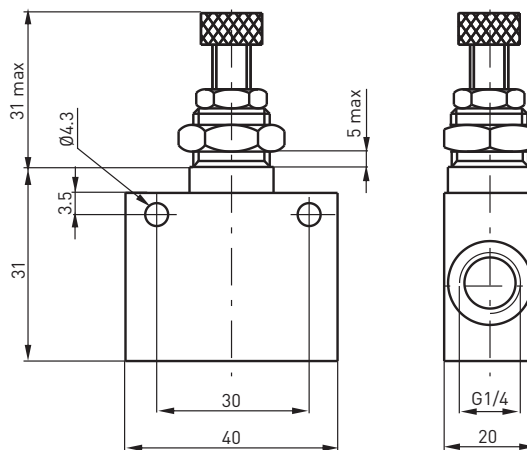
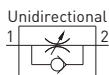
WEIGHT 100 g

REV. 00 - 31/03/2015

Flow control valve

G1/4"

Compact type unidirectional



6.01.F

Function F

14N = Bidirectional

14/1N = Bidirectional economic version



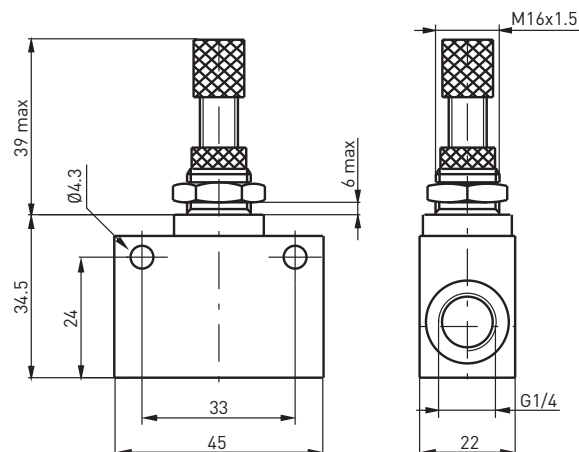
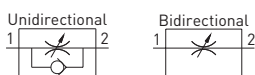
Fluid	Filtered air
Max working pressure (bar)	10
Temperature °C	-5 / +70
Orifice size (mm)	7

WEIGHT 105 g

REV. 00 - 31/03/2015


Flow control valve

G1/4"



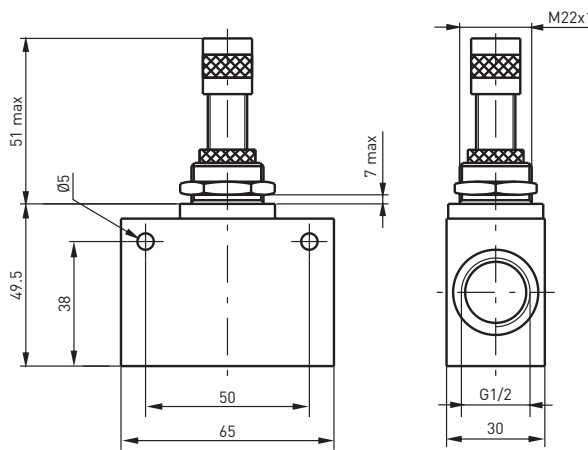


6.01.F **Function F** **12N** = Bidirectional **12/1N** = Bidirectional economic version

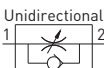



Fluid	Filtered air
Max working pressure (bar)	10
Temperature °C	-5 / +70
Orifice size (mm)	12


WEIGHT 290 g
REV. 00 - 31/03/2015



Flow control valve
G1/2"

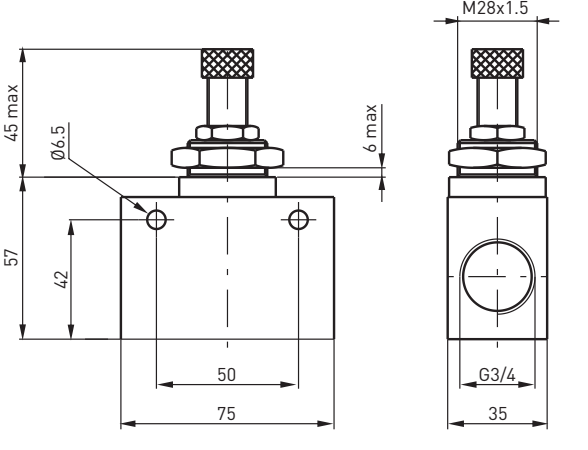



06.01.34




Fluid	Filtered air
Working pressure (bar)	0,5 ÷ 10
Temperature °C	-5 / +70
Orifice size (mm)	12


WEIGHT 500 g
REV. 00 - 31/03/2015



Flow control valve
G3/4"
Unidirectional

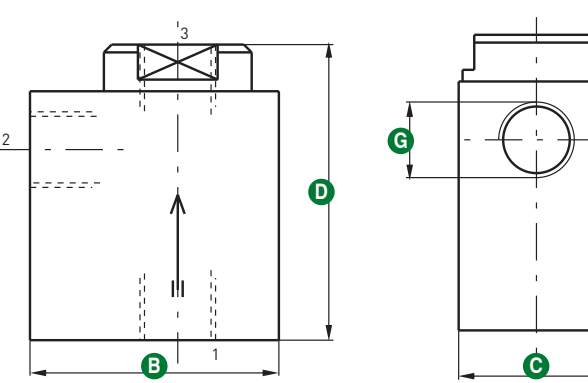


6.02.1 **Connection** | **05** = M5 **18** = G1/8" **14** = G1/4" **12** = G1/2"



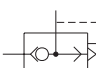
Fluid	Filtered air
Working pressure (bar)	0,5 ÷ 10
Temperature °C	-5 / +70

REV. 00 - 31/03/2015



G	M5	1/8"	1/4"	1/2"
B	22	32	35	52
C	12	20	25	37
D	28	38	50	62
Weight (g)	50	62	112	310
Flow rate Nl/min at 6 bar with Δp=1 (from 1 to 2)	29	33,2	34	39
Flow rate Nl/min at 6 bar on free exhaust (from 2 to 3)	29	33,2	34	39

Quick exhaust valve

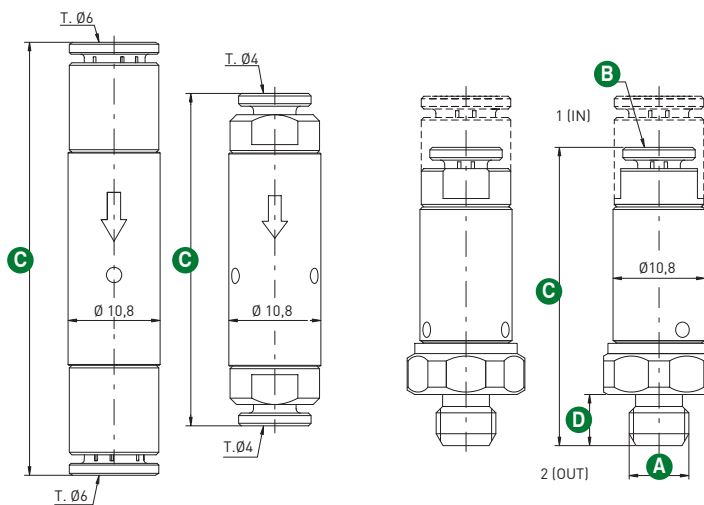
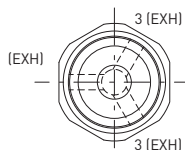
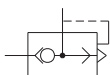


6.02.I.C.L
Connection (in) I M = M5 03 = tube Ø3 04 = tube Ø4 06 = tube Ø6
Connection (out) C M5 = M5 M7 = M7 18 = G1/8" I 04 = tube Ø4 06 = tube Ø6

REV. 00 - 31/03/2015



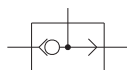
Fluid	Filtered air
Max working pressure (bar)	10
Temperature °C	-5 / +70

Quick exhaust in line valve


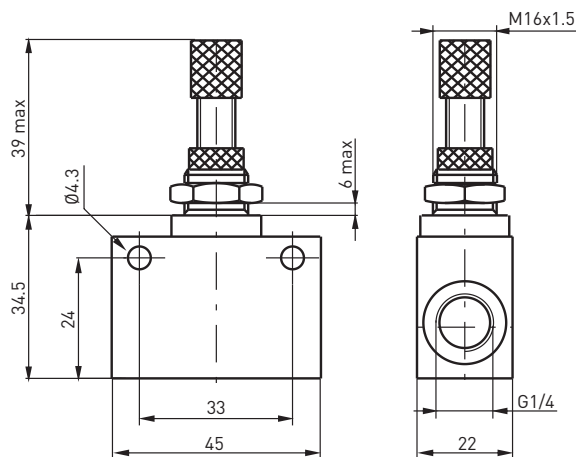
A	M5				M7				G1/8"				Ø4		Ø6			
	M5	Ø3	Ø4	Ø6	M5	Ø3	Ø4	Ø6	M5	Ø3	Ø4	Ø6	G1/8"	Ø4	G1/8"	Ø6	G1/8"	
B																		
C	29	33,2	34	39	30,5	34,7	35	40	30,5	34,7	35	40	35,5	39	39,5	51	45	
D	4,5								6				-	5,5	-	5,5		
Weight (g)	17								18				17	20	18			
Flow rate NI/min at 6 bar with Δp=1 (from 1 to 2)	90								110				90	110				
Flow rate NI/min at 6 bar on free exhaust (from 2 to 3)	240								350				240	350				

6.04.I
Connection I 05 = M5 18 = G1/8" 14 = G1/4"

REV. 00 - 31/03/2015


Shuttle valve "OR"


Fluid	Filtered air		
Max working pressure (bar)	10		
Temperature °C	-5 / +70		
G	M5	1/8"	1/4"
A	27	44	62
B	12	16	22
C	17	25	30
D	15	25	35
ØE	3.5	4.5	5.5
F	3.5	4.5	5.5
Weight (g)	33	50	110
Flow rate NI/min at 6 bar with Δp=1	110	700	2200





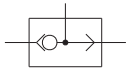
6.04.04



Fluid	Filtered and lubricated air
Max working pressure (bar)	10
Temperature °C	-5 / +70
Flow rate at 6 bar with Δp=1 (Nl/min)	105
Orifice size (mm)	2.5
Connections	Fitting T = 4

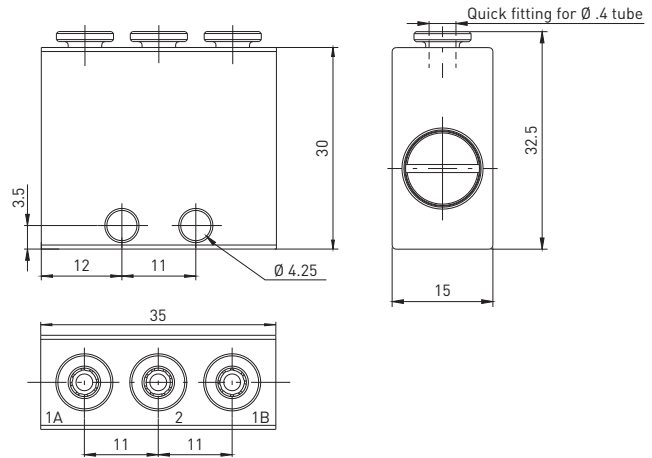
Shuttle valve "OR"

T=4



WEIGHT 50 g

REV. 00 - 31/03/2015



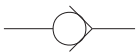
6.07.18.G

Seals G R = NBR VR = FPM



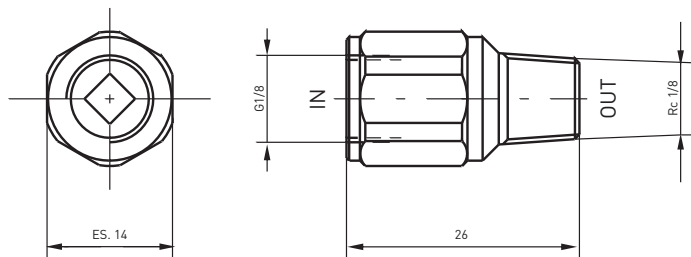
Fluid	Filtered air
Working pressure (bar)	0,5 ÷ 10
Temperature °C	-5 / +70
Flow rate at 6 bar with Δp=1 (Nl/min)	100

G 1/8" compact check valves



WEIGHT 50 g

REV. 00 - 31/03/2015



6.07.T

Poppet T 05 = NBR - M5 18 = NBR - G 1/8" 14 = NBR - G 1/4" 38 = NBR - G 3/8" 12 = NBR - G 1/2" 18V = FPM - G 1/8" 14V = FPM - G 1/4" 38V = FPM - G 3/8" 12V = FPM - G 1/2"

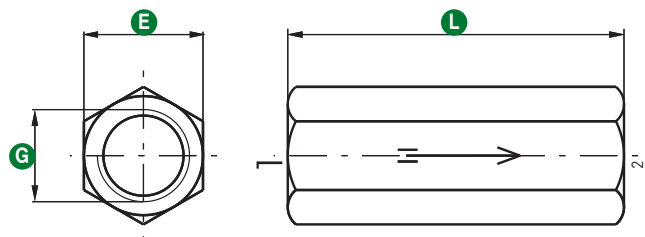


Fluid	Filtered and lubricated air				
Working pressure (bar)	10				
Temperature °C	-5 / +70 (+150°C FPM)				
G	M5	1/8"	1/4"	3/8"	1/2"
E	10	14	17	21	25
L	21	37	48	50	60
Weight (g)	14	35	60	85	136
Flow rate Nl/min at 6 bar with Δp=1	160	650	1150	2600	3500

Non return valve



REV. 00 - 31/03/2015



COMPLEMENTARY PRODUCTS

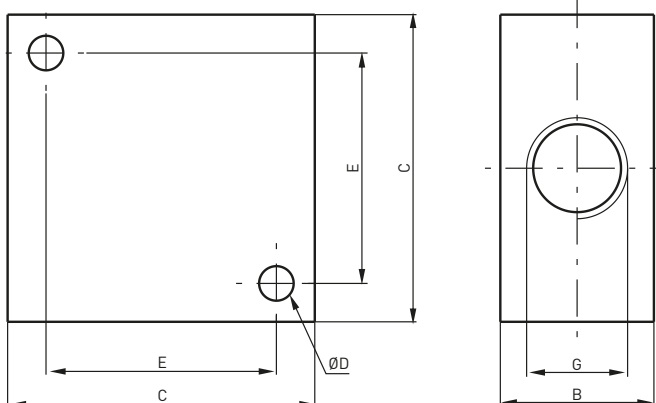
6.08.C/4
Connection C 05 = M5 18 = G 1/8" 14 = G 1/4" 38 = G 3/8" 12 = G 1/2"

REV. 00 - 31/03/2015



Fluid	Filtered air
Max working pressure (bar)	20
Temperature °C	-5 / +70

G	M5	1/8"	1/4"	3/8"	1/2"
B	10	16	20	20	30
C	20	32	40	40	50
ØE	3.3	4.5	4.5	5.5	6.5
E	14	22	30	30	38
Weight (g)	28	38	68	54	135

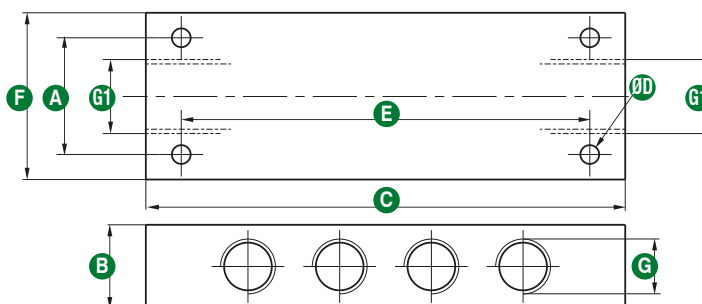
Manifold 4 ports

6.08.C/8
Connection C 05 = M5 18 = G 1/8" 14 = G 1/4" 38 = G 3/8" 12 = G 1/2"

REV. 00 - 31/03/2015



Fluid	Filtered air
Max working pressure (bar)	20
Temperature °C	-5 / +70

G	M5	1/8"	1/4"	3/8"	1/2"
Gi	G1/8"	1/8"	1/4"	3/8"	1/2"
A	16	20	28	28	36
B	12	18	20	20	30
C	60	90	115	130	170
ØD	3.3	4.5	4.5	5.5	5.5
E	50	75	98	112	150
F	22	32	40	40	50
Weight (g)	92	110	185	165	460

Manifold 10 ports




6.09.14.F

Function F UN = Unidirectional BN = Bidirectional



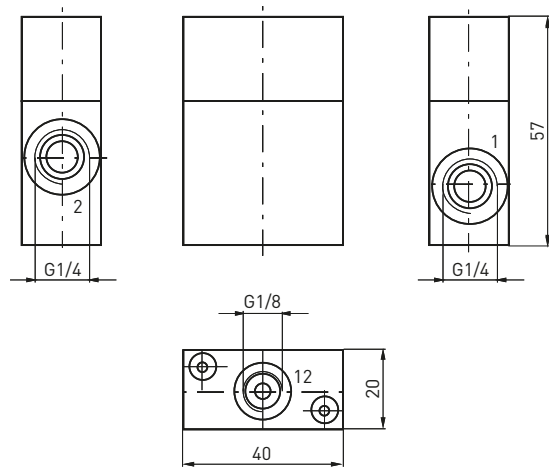
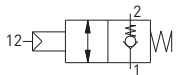
Fluid	Filtered and lubricated air
Max working pressure (bar)	10
Min working pressure (bar)	4
Temperature °C	-5 / +70
Flow rate at 6 bar with Δp=1 (Nl/min)	700
Orifice size (mm)	7

WEIGHT 122 g

REV. 00 - 31/03/2015

Block valve

G1/4"



6.09.12.F

Function F UN = Unidirectional BN = Bidirectional



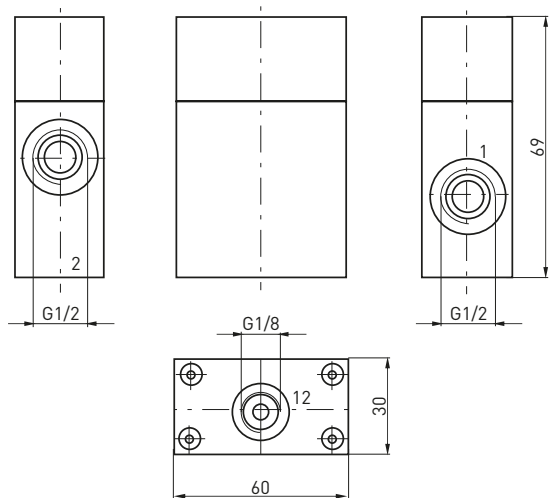
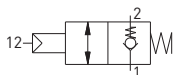
Fluid	Filtered and lubricated air
Max working pressure (bar)	10
Min working pressure (bar)	4
Temperature °C	-5 / +70
Flow rate at 6 bar with Δp=1 (Nl/min)	2000
Orifice size (mm)	12

WEIGHT 305 g

REV. 00 - 31/03/2015

Block valve

G1/2"



AT50C18V

Connection C 06 = Ring AT Ø6 08 = Ring AT Ø8 **Version V** U = Unidirectional B = Bidirectional

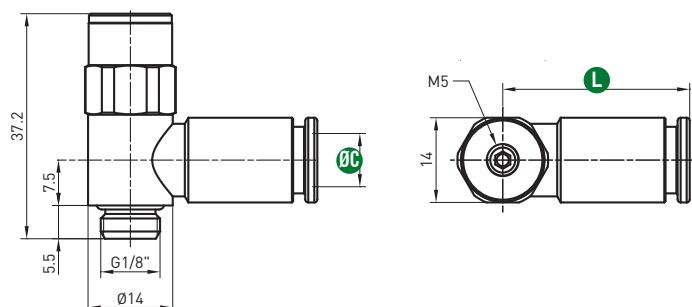
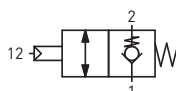


Part. No.	ØC	L
AT500618U AT500618B	6	31
AT500818U AT500818B	8	31

REV. 00 - 20/09/2019

Blocking valve

1/8"



AT50C18PVM

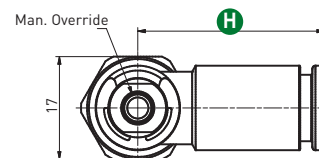
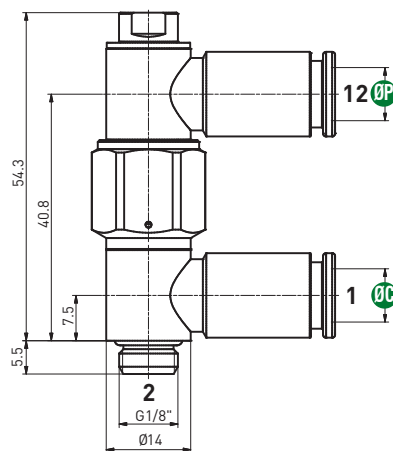
Connection C 06 = Ring AT Ø6 08 = Ring AT Ø8

Pilot P 06 = Ring AT Ø6 08 = Ring AT Ø8 **Version V** U = Unidirectional B = Bidirectional

REV. 00 - 20/09/2019

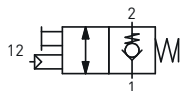


Part. No.	ØC	ØP	H
AT50061806UM AT50061806BM	6		30.9
AT50081808UM AT50081808BM	8		30.7



**Blocking valve
with manual override
and swivel pilot**

1/8"



AT50C14V

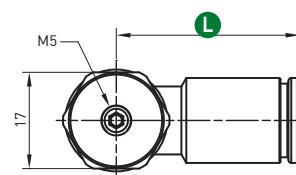
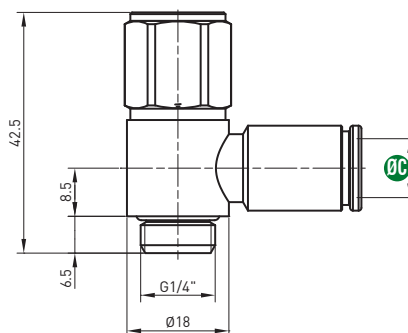
Connection C 06 = Ring AT Ø6 08 = Ring AT Ø8

Version V U = Unidirectional B = Bidirectional

REV. 00 - 20/09/2019

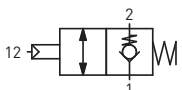


Part. No.	ØC	H
AT500614U AT500614B	6	20
AT500814U AT500814B	8	30.9



Blocking valve

1/4"



AT50C14PVM

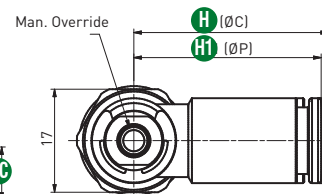
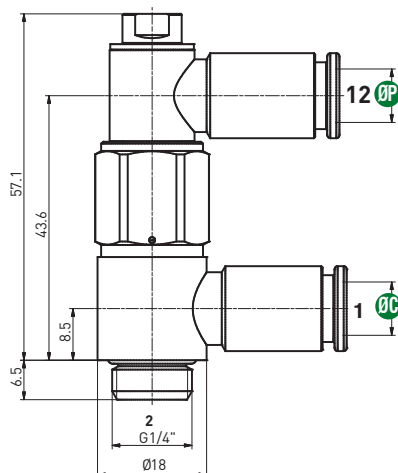
Connection C 06 = Ring AT Ø6 08 = Ring AT Ø8

Pilot P 06 = Ring AT Ø6 08 = Ring AT Ø8 **Version V** U = Unidirectional B = Bidirectional

REV. 00 - 20/09/2019

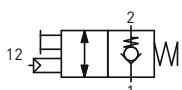


Part. No.	ØP	H	ØC	H1
AT50061406UM AT50061406BM	6	30.9	6	32.1
AT50081408UM AT50081408BM	8	30.7	8	32.4



**Blocking valve
with manual override
and swivel pilot**

1/4"



AT50C38V

Connection **C** 08 = Ring AT Ø8 10 = Ring AT Ø10 Version **V** U = Unidirectional B = Bidirectional

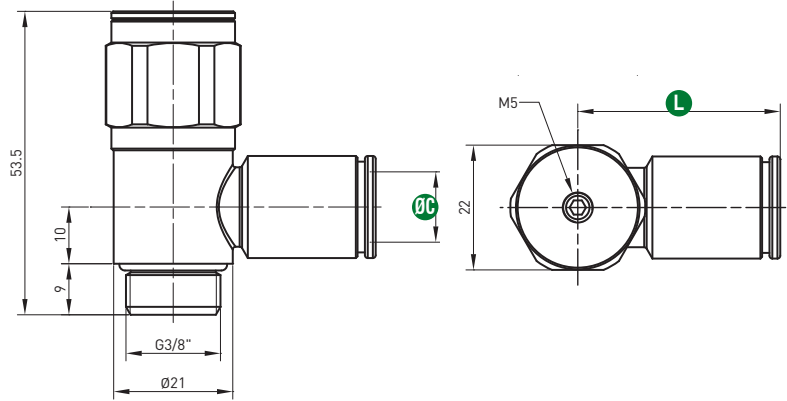
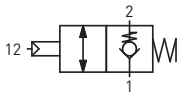


Part. No.	ØC	L
AT500838U AT500838B	8	34
AT501038U AT501038B	10	36

REV. 00 - 20/09/2019

Blocking valve

3/8"



AT50C38PVM

Connection **C** 08 = Ring AT Ø8 10 = Ring AT Ø10
Pilot **P** 06 = Ring AT Ø6 08 = Ring AT Ø8 Version **V** U = Unidirectional B = Bidirectional

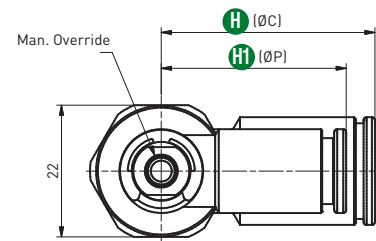
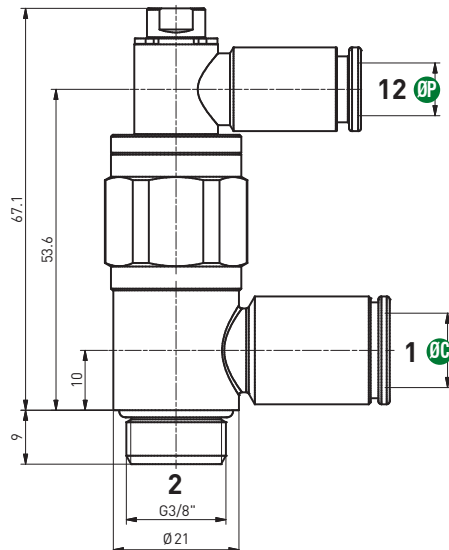
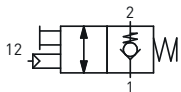


Part. No.	ØP	H	ØC	H1
AT50083806UM AT50083806BM	6	30.9	8	33.9
AT50103808UM AT50103808BM	8	30.7	10	35.7

REV. 00 - 20/09/2019

**Blocking valve
with manual override
and swivel pilot**

3/8"

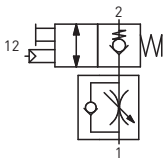


PNM0392

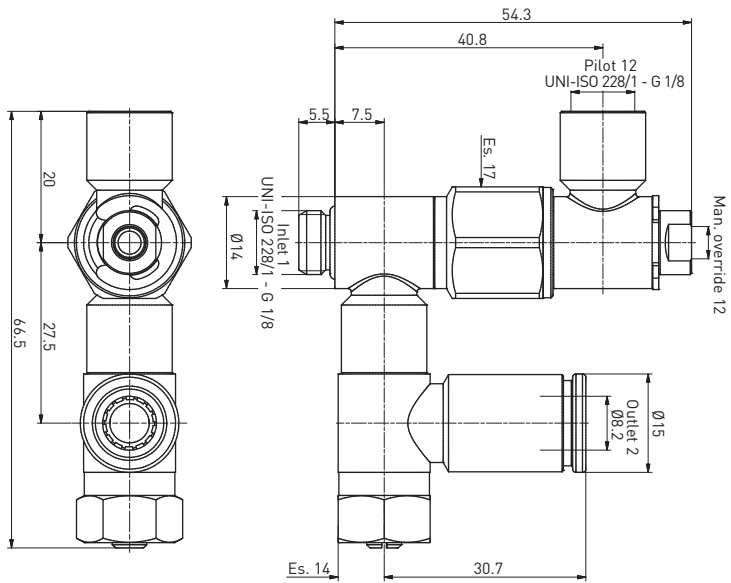


Blocking valve with manual, flow adjuster and swivel pilot for Ø8 tubes

G1/8"



REV. 00 - 22/10/2018

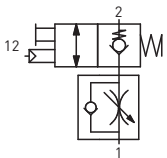


PNM0393

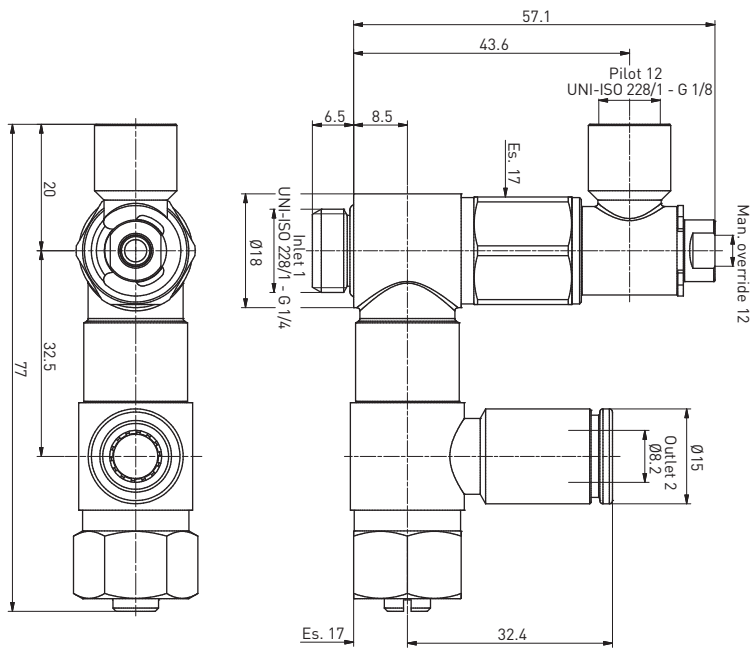


Blocking valve with manual, flow adjuster and swivel pilot for Ø8 tubes

G1/4"



REV. 00 - 22/10/2018



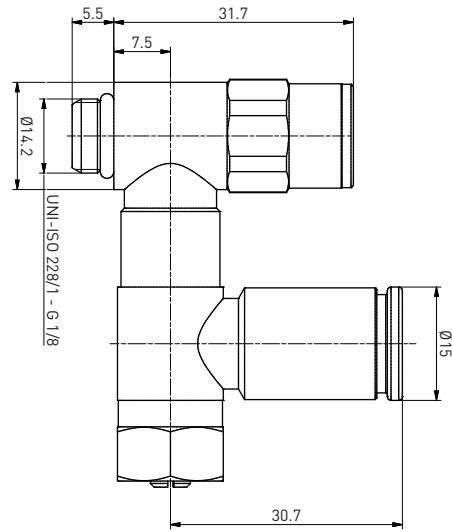
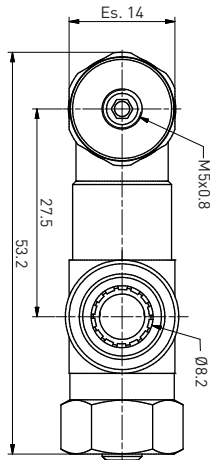
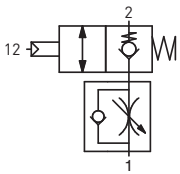
PNM0394

REV. 00 - 22/10/2018



Blocking valve and flow adjuster for Ø8 tubes

G1/8"



PNM0395

REV. 00 - 22/10/2018



Blocking valve and flow adjuster for Ø8 tubes

G1/4"

