

# RC-Series

## CNOMO



## Retractable locating pin packages with CNOMO mounting pattern

### Technical features

**Pneumatic ports on both sides** of the cylinder.

#### Operating features

<b>Operating pressure</b>	from 2 to 8 bar / from 30 to 115 psi
<b>Lubrication</b>	all the devices are lubricated for life at the factory. Inline air lubrication isn't required

### Functional charts

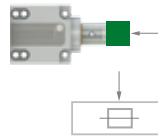
Ø 50 mm

#### • Max deflection

Stroke	Load (kg)	Load position A deviation (mm)	Load position B deviation (mm)	Load position C deviation (mm)	Load position D deviation (mm)
50 mm	0.5	0.006	0.009	0.007	0.03
	1	0.013	0.02	0.018	0.07
	1.5	0.021	0.032	0.028	0.1
	2	0.026	0.047	0.043	0.12
	2.5	0.032	0.66	0.057	-
	3	0.037	0.075	0.068	-
25 mm	0.5	0	0.005	0	0.01
	1	0.005	0.015	0.005	0.03
	1.5	0.007	0.032	0.007	0.06
	2	0.011	0.047	0.011	0.08
	2.5	0.012	0.66	0.012	-
	3	0.014	0.075	0.014	-

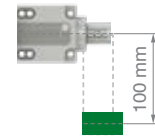
#### Load position A

Horizontal mounting position of the retractable locating pin/load centre on the rod



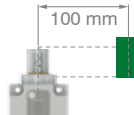
#### Load position B

Horizontal mounting position of the retractable locating pin/load centre at 100 mm from the rod axis



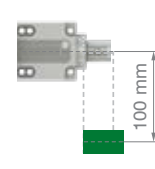
#### Load position C

Vertical mounting position of the retractable locating pin/load centre at 100 mm from the rod axis



#### Load position D

100 mm in z



#### • Functional data (at 5 bar / 72.5 psi)

Thrust force	825 N
Pull force	980 N
Max bending moment	3 N m / 2.21 lb-ft
Max distance from the load centre to the rod	200 mm
Interchangeability of the mounting	± 0,05 mm
Interchangeability of the mounting to the rod termination	± 0,15 mm
Rod output repeatability	± 0,04 mm
Protection degree:	IP 56 for pin packages IP67 for sensor
Operating temperature	-0 °C + 50 °C
Storage temperature	-25 °C + 60 °C

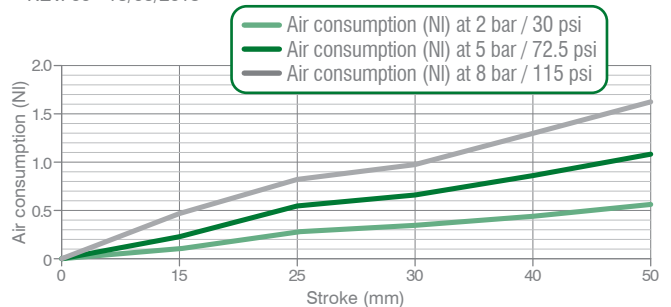
#### • Cycle time for max stroke

< 0.8 s **NO flow valve required**

#### • Air consumption

Air consumption for complete cycle

REV. 00 - 18/06/2015



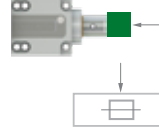
## Size 63 mm

### • Max deflection

Stroke	Load (kg)	Load position <b>A</b> deviation (mm)	Load position <b>B</b> deviation (mm)	Load position <b>C</b> deviation (mm)	Load position <b>D</b> deviation (mm)
50 mm	0.5	0.006	0.009	0.007	0.03
	1	0.013	0.02	0.018	0.07
	1.5	0.021	0.032	0.028	0.1
	2	0.026	0.047	0.043	0.12
	2.5	0.032	0.66	0.057	-
	3	0.037	0.075	0.068	-
25 mm	0.5	0	0.005	0	0.01
	1	0.005	0.015	0.005	0.03
	1.5	0.007	0.032	0.007	0.06
	2	0.011	0.047	0.011	0.08
	2.5	0.012	0.66	0.012	-
	3	0.014	0.075	0.014	-

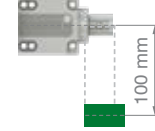
#### Load position **A**

Horizontal mounting position of the retractable locating pin/load centre on the rod



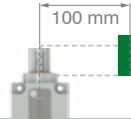
#### Load position **B**

Horizontal mounting position of the retractable locating pin/load centre at 100 mm from the rod axis



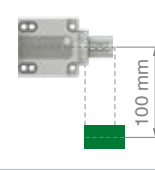
#### Load position **C**

Vertical mounting position of the retractable locating pin/load centre at 100 mm from the rod axis



#### Load position **D**

100 mm in z



### • Functional data (at 5 bar / 72.5 psi)

Thrust force	825 N
Pull force	980 N
Max bending moment	3 N m / 2.21 lb-ft
Max distance from the load centre to the rod	200 mm
Interchangeability of the mounting	± 0,05 mm
Interchangeability of the mounting to the rod termination	± 0,15 mm
Rod output repeatability	± 0,04 mm
Protection degree:	IP 56 for pin packages IP67 for sensor
Operating temperature	-0 °C + 50 °C
Storage temperature	-25 °C + 60 °C

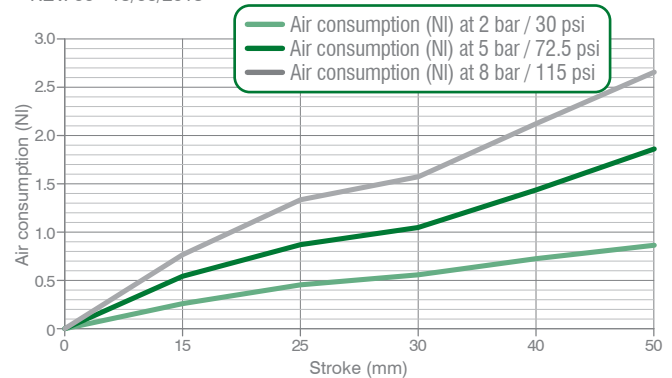
### • Cycle time for max stroke

< 0.8 s **NO flow valve required**

### • Air consumption

Air consumption for complete cycle

REV. 00 - 18/06/2015



Please get in touch with our technical representatives for any application which exceeds the above values, to find the appropriate solution for your application.

## Ordering string

### RC-Series

**RC** **50** **C** **25** **1** **G**

**RC**

#### VERSION

**RC** = retractable locating pin package with CNOMO mounting pattern  
**RCD** = retractable locating pin package with CNOMO mounting pattern and manual operation

**50**

#### SIZE

**50** = Ø 50 mm  
**63** = Ø 63 mm

**C**

#### SENSOR

**C** = CNOMO sensor  
**N** = no sensor

**CNOMO**

**25**

#### STROKE

**25** = 25 mm  
**50** = 50 mm

**1**

#### ROD TERMINATION

**1** = iØ 12 mm rod termination  
**2** = iØ 20 mm rod termination

**G**

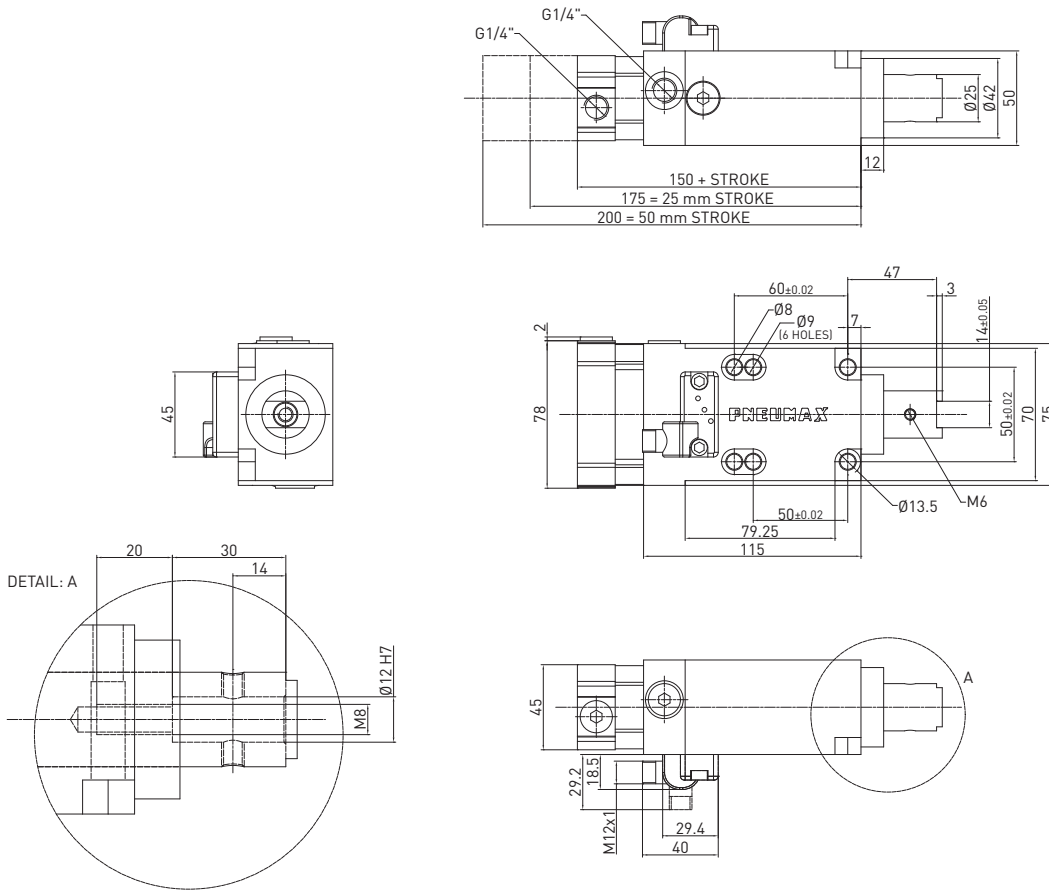
#### PORTS

**G** = G thread – BSPP

**RC50\_\_1 / Retractable locating pin package with CNOMO mounting pattern - Size 50 mm - iØ 12 mm rod termination**

**WEIGHT 1.8 kg**  
min. stroke version

**WEIGHT 1.9 kg**  
max. stroke version

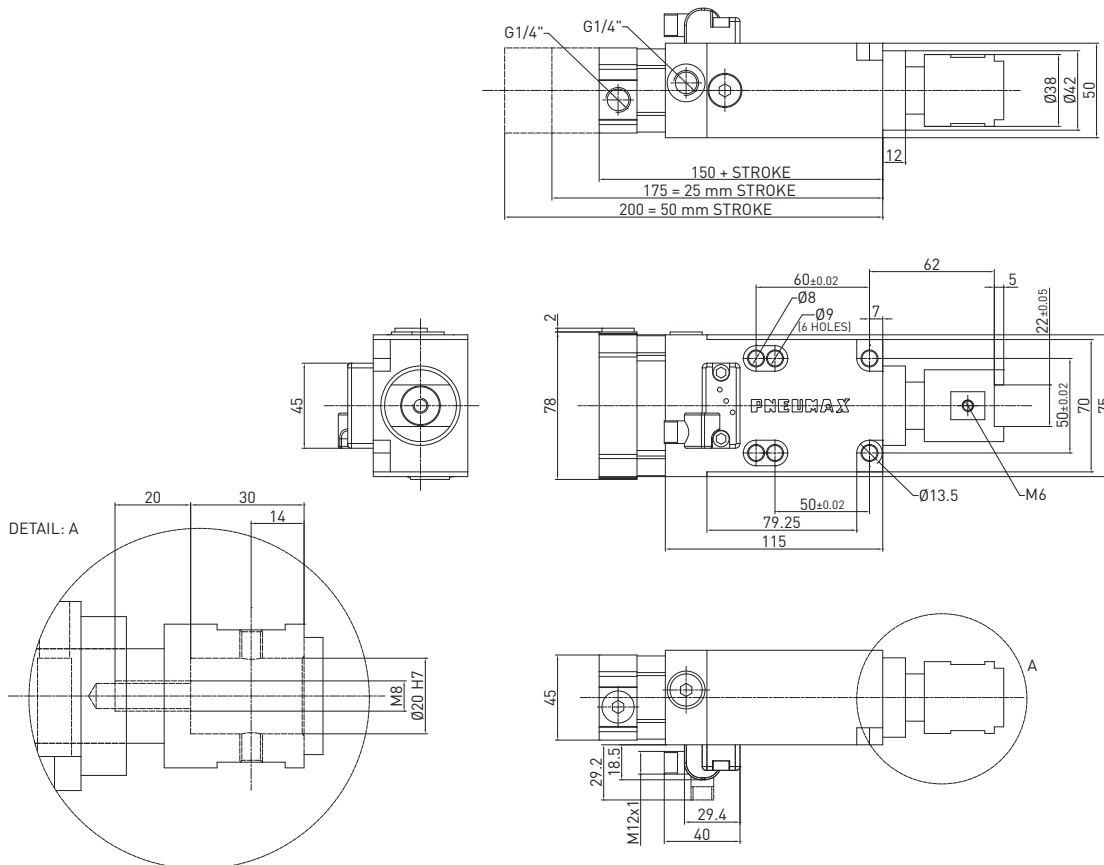


REV. 01 - 31/03/2015

**RC50\_\_2 / Retractable locating pin package with CNOMO mounting pattern - Size 50 mm - iØ 20 mm rod termination**

**WEIGHT 2 kg**  
min. stroke version

**WEIGHT 2.1 kg**  
max. stroke version



REV. 01 - 22/10/2015



**RCD50\_1 / Retractable locating pin package with CNOMO mounting pattern and manual operation**  
Size 50 mm - iØ 12 mm rod termination

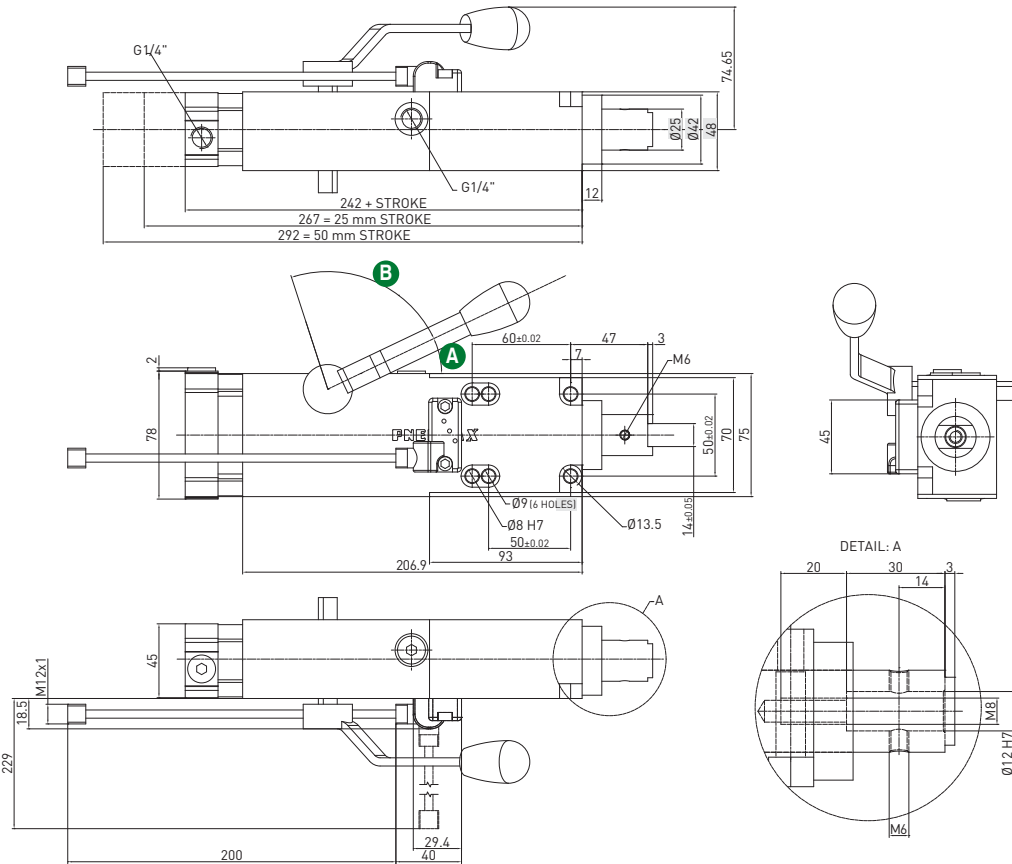
**WEIGHT 1.8 kg**  
min. stroke version

**WEIGHT 1.9 kg**  
max. stroke version

**Handle swivel angle**

Stroke	<b>A</b> Handle swivel angle	<b>B</b> Handle swivel angle
25	70°	38°
50	25°	83°

Max Hand Force: 200 N



REV. 00 - 31/07/2018

**RCD50\_2 / Retractable locating pin package with CNOMO mounting pattern and manual operation**  
Size 50 mm - iØ 20 mm rod termination

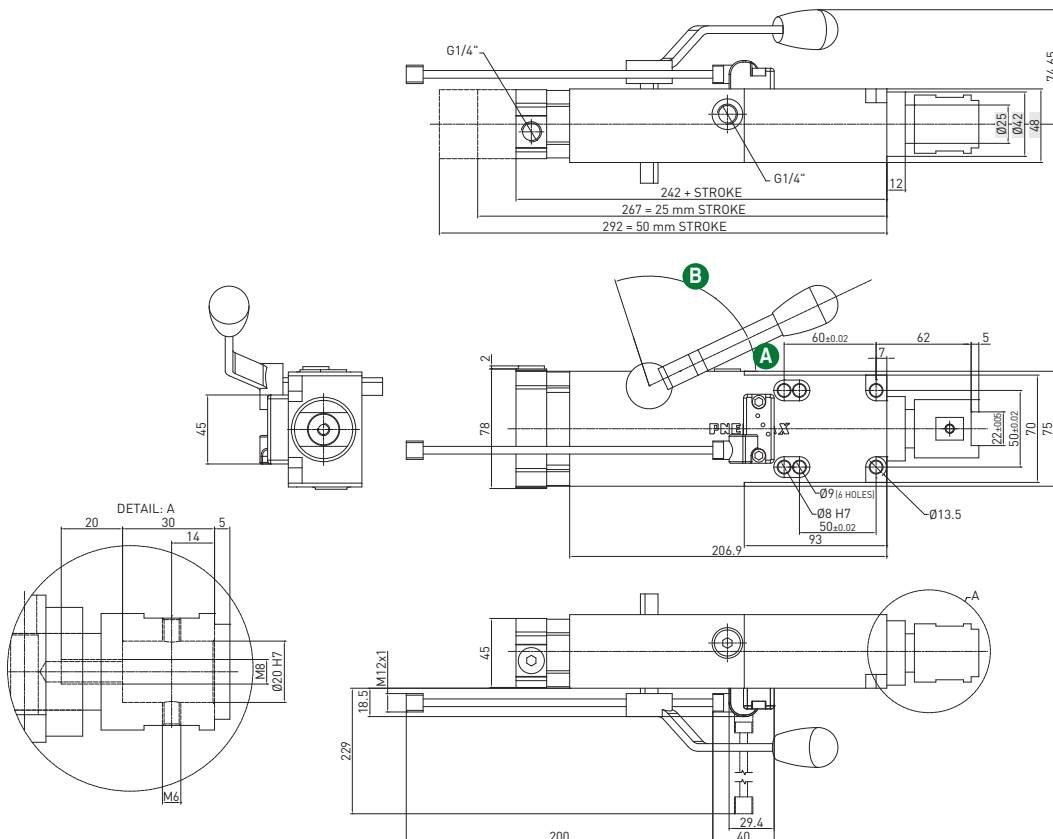
**WEIGHT 2 kg**  
min. stroke version

**WEIGHT 2.1 kg**  
max. stroke version

**Handle swivel angle**

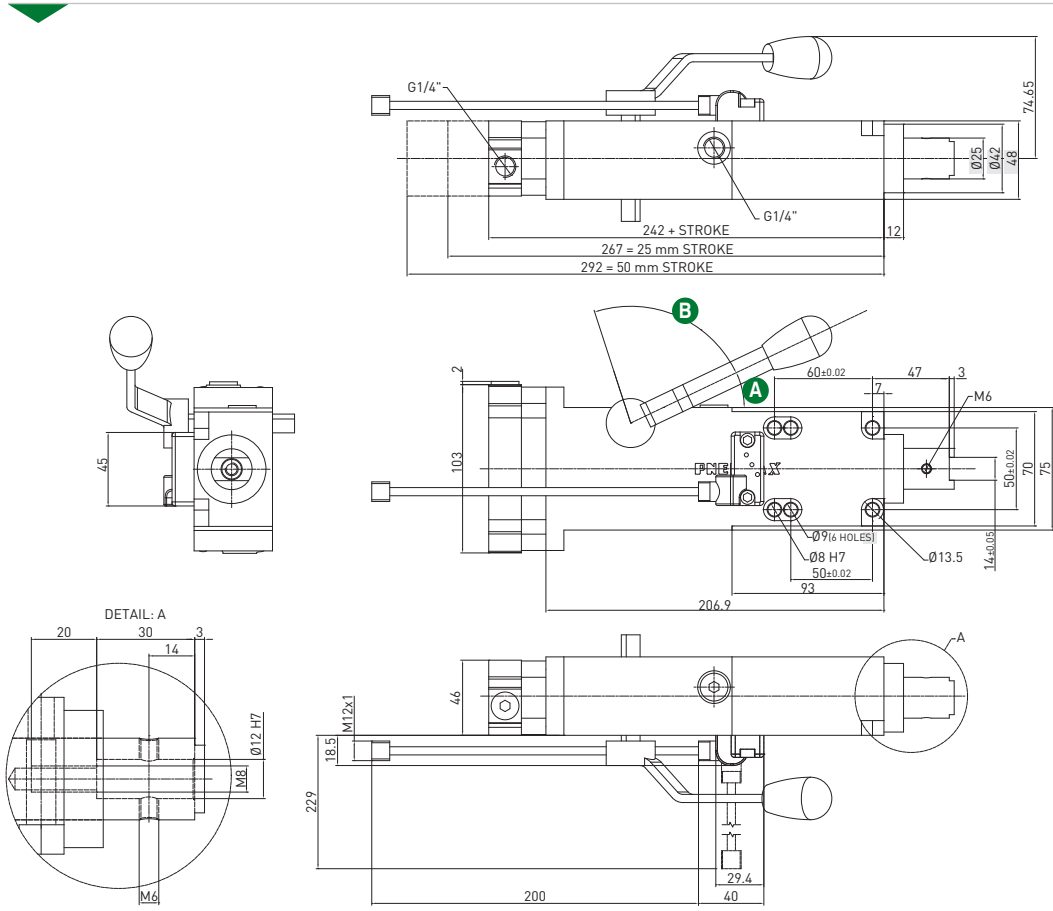
Stroke	<b>A</b> Handle swivel angle	<b>B</b> Handle swivel angle
25	70°	38°
50	25°	83°

Max Hand Force: 200 N



REV. 00 - 31/07/2018

**RCD63\_\_1 / Retractable locating pin package with CNOMO mounting pattern and manual operation**  
Size 63 mm - iØ 12 mm rod termination



**WEIGHT 2 kg**  
min. stroke version

**WEIGHT 2.1 kg**  
max. stroke version

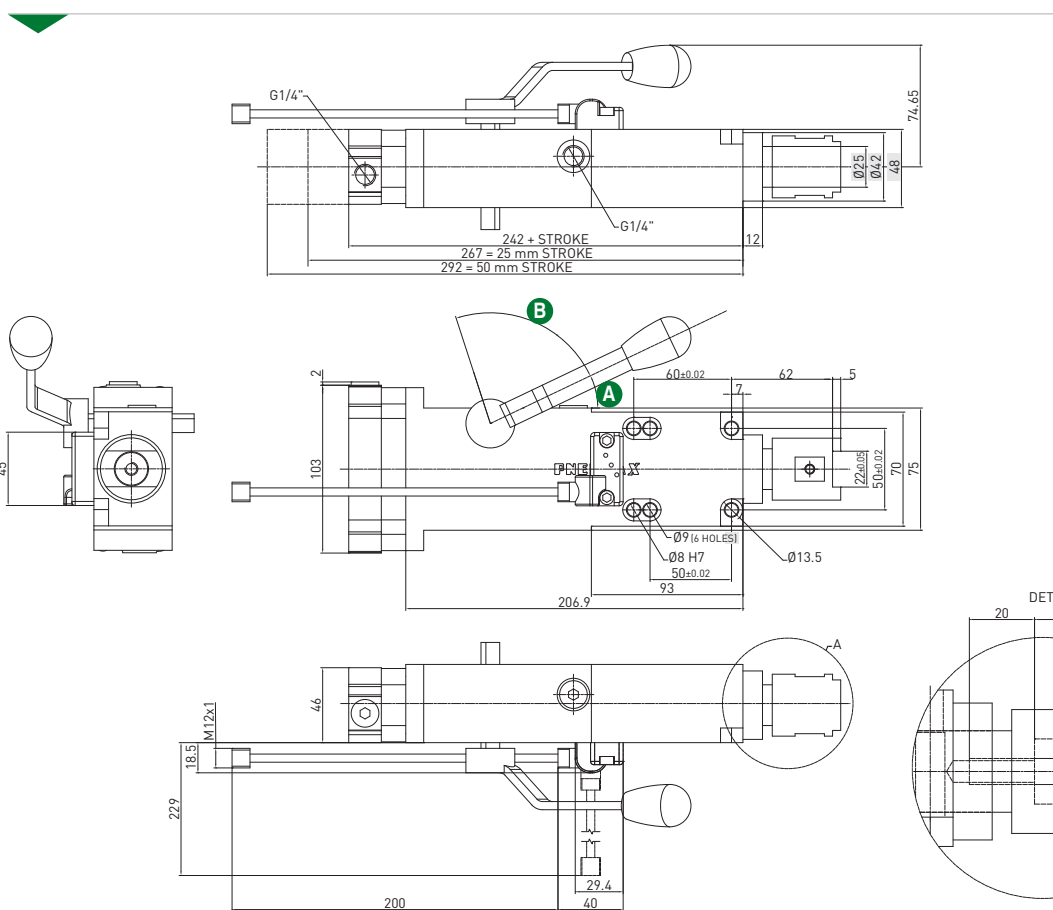
**Handle swivel angle**

Stroke	A Handle swivel angle	B Handle swivel angle
25	70°	38°
50	25°	83°

Max Hand Force: 200 N

REV. 00 - 31/07/2018

**RCD63\_\_2 / Retractable locating pin package with CNOMO mounting pattern and manual operation**  
Size 63 mm - iØ 20 mm rod termination



**WEIGHT 2.2 kg**  
min. stroke version

**WEIGHT 2.3 kg**  
max. stroke version

**Handle swivel angle**

Stroke	A Handle swivel angle	B Handle swivel angle
25	70°	38°
50	25°	83°

Max Hand Force: 200 N

REV. 00 - 31/07/2018

LOCATING