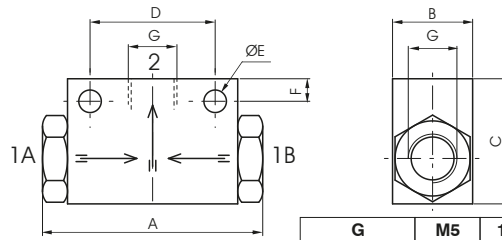


Shuttle valve "OR"

Coding: 6.04.1

Operational characteristics	
Fluid	Filtered air. No lubrication needed, if applied it shall be continuous
Max working pressure (bar)	10
Temperature °C	-5 ÷ +70

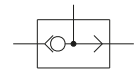
CONNECTION (IN)	
1	05 = M5
	18 = G1/8"
	14 = G1/4"



G	M5	1/8"	1/4"
A	27	44	62
B	12	16	22
C	17	25	30
D	15	25	35
E	3,5	4,5	5,5
F	3,5	4,5	5,5
Weight g	33	50	110

Flow rate at 6 bar with $\Delta p = 1$

Nl/min.	110	700	2200
---------	-----	-----	------

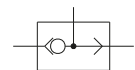
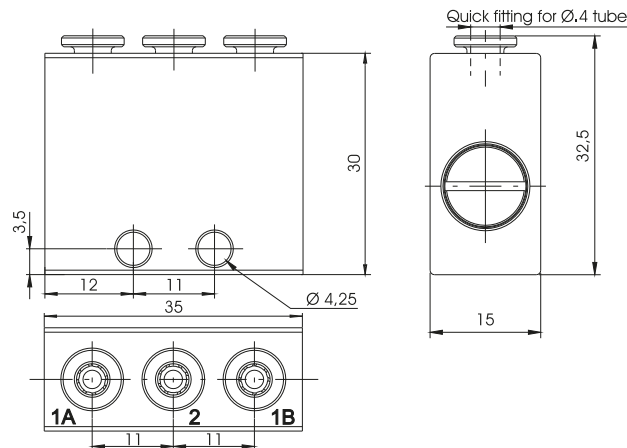


Weight "see table"

Shuttle valve "OR" - T=4

Coding: 6.04.04

Operational characteristics	
Fluid	Filtered air. No lubrication needed, if applied it shall be continuous
Max working pressure (bar)	10
Temperature °C	-5 ÷ +70
Flow rate at 6 bar with $\Delta p = 1$ (Nl/min)	105
Orifice size (mm)	2.5
Working ports size	Fitting T=4



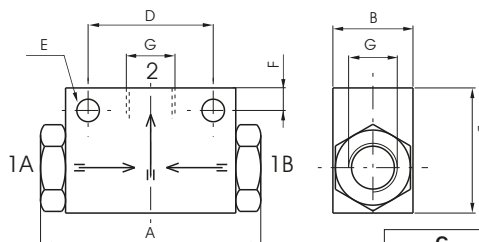
Weight 50g

Shuttle valve "AND" - M5 - G1/8"

Coding: 6.04.1/1

Operational characteristics	
Fluid	Filtered air. No lubrication needed, if applied it shall be continuous
Max working pressure (bar)	10
Temperature °C	-5 ÷ +70

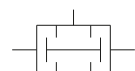
CONNECTION (IN)	
1	05 = M5
	18 = G1/8"



G	M5	1/8"
A	36	44
B	12	16
C	22	45
D	20	25
E	3,2	4,5
F	3,5	4,5
Weight g	30	50

Flow rate at 6 bar with $\Delta p = 1$

Nl/min.	100	480
---------	-----	-----



Weight "see table"

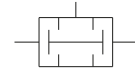
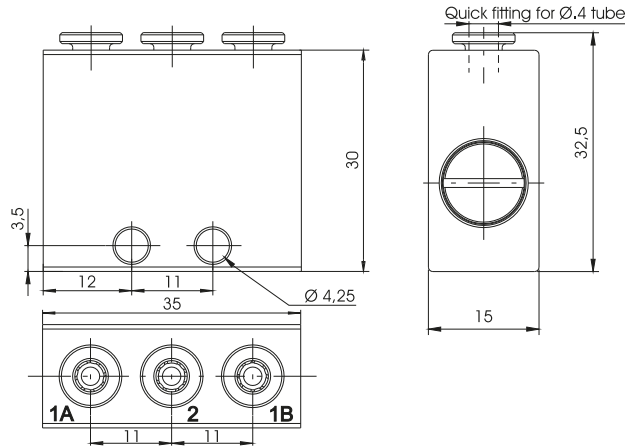


AIR DISTRIBUTION

Shuttle valve "AND" - T=4

Coding: 6.04.04/1

Operational characteristics	
Fluid	Filtered air. No lubrication needed, if applied it shall be continuous
Max working pressure (bar)	10
Temperature °C	-5 ÷ +70
Flow rate at 6 bar with Δp=1 (Nl/min)	105
Orifice size (mm)	2.5
Working ports size	Fitting T=4



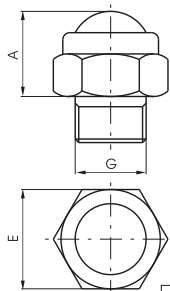
Weight 50 g

Silencers steel wool

Coding: 6.05.1

Operational characteristics	
Fluid	Filtered air. No lubrication needed, if applied it shall be continuous
Max working pressure (bar)	10
Temperature °C	-5 ÷ +70

CONNECTION (IN)	
18	= G1/8"
14	= G1/4"
38	= G3/8"
12	= G1/2"



G	1/8"	1/4"	3/8"	1/2"
A	12	13	15	17
E	14	17	22	27
Weight g	8	16	32	44



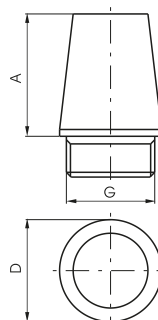
Weight *see table*

Silencers brass

Coding: 6.06.1

Operational characteristics	
Fluid	Filtered air. No lubrication needed, if applied it shall be continuous
Max working pressure (bar)	10
Temperature °C	-5 ÷ +70

CONNECTION (IN)	
05	= M5
18	= G1/8"
14	= G1/4"
38	= G3/8"
12	= G1/2"
34	= G3/4"
01	= G1"



G	M5	1/8"	1/4"	3/8"	1/2"	3/4"	1"
A	17	15	18	28	32	40	50
D	8	12	15	19	23	29	38
Weight g	4	8	15	35	50	92	182



Weight *see table*