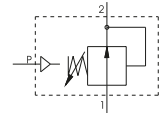
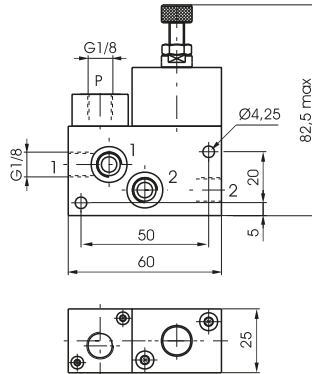


High-low pressure device

Coding: 900.18.8.P

Operational characteristics	
Fluid	Filtered air. No lubrication needed, if applied it shall be continuous
Max working pressure (bar)	10
Pressure range (bar)	1 ÷ 4
Temperature °C	-5 ÷ +50
Flow rate at 6 bar with Δp=1 (NI/min)	650
Working ports size	G1/8"



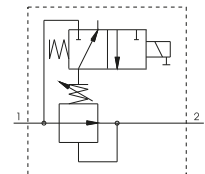
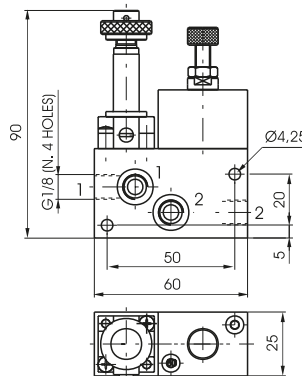
Weight 240 g
with pneumatic pilot

1
AIR DISTRIBUTION

High-low pressure device

Coding: 900.18.8.E

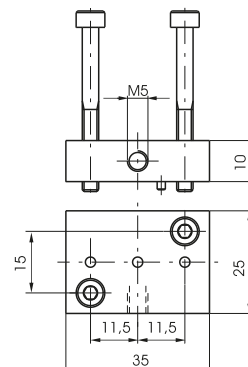
Operational characteristics	
Fluid	Filtered air. No lubrication needed, if applied it shall be continuous
Max working pressure (bar)	10
Pressure range (bar)	1 ÷ 4
Temperature °C	-5 ÷ +50
Flow rate at 6 bar with Δp=1 (NI/min)	650
Working ports size	G1/8"



Weight 280 g
with M2 mechanic

External feeding base "NOT" logical element

Coding: 900.005



Weight 35 g