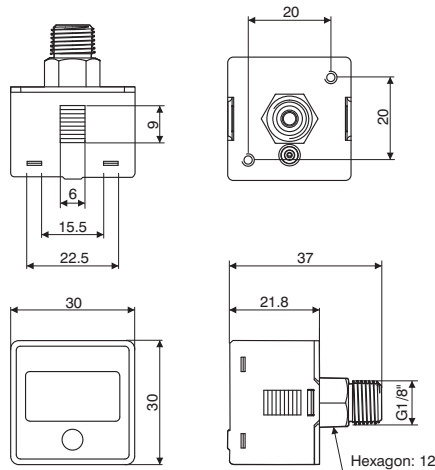


Digital battery pressure gauge

Ordering code

DS.60.PI.F1.F.0



Technical features

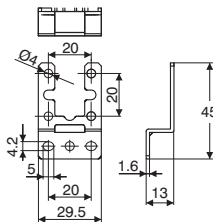
Working pressure range	0.000 - 1.000 mPa	
Regulation pressure range	-0.100 - 1.000 mPa	
Maximum supported pressure	1.5 mPa	
Allowed fluids	Air, non-corrosive gases, non-combustible gases	
Pressure calibration sensitivity	kPa	0.1
	bar	0.01
	psi	0.1
	mmHg	1
Battery	CR 2032 lithium	
Backlight	Not present	
Battery life	3 years (5 powerups a day)	
Indication of battery level	Present	
Battery replaceable	Yes	
Display powerup time	Goes off after 60 seconds	
Sampling frequency	2 Hz (2 times per second)	
Repeatability	±1% F. S. ±1 digit	
Display	Display with 3 1/2 digits	
Indicator precision	±2% F.S. ±1 digit (at ambient temperature of 25°C ±3°C)	
Ingress protection rating	Protection class	IP65 (only with connected air pipe)
	Ambient temperature	Operational: 0 - 50°C, Storage: -10 - 60°C (without ice or condensation)
	Ambient humidity	Operational/Storage 35 - 85% (without condensation)
	Vibration	Total amplitude 1.5mm or 10G, 10Hz-55Hz-10Hz scanning for 1 minute, 2 hours in each direction of X, Y and Z
Impacts/shocks	100m/s ² (10G), 3 times in each direction of X, Y and Z	
Temperature characteristics	±2% Full Scale in a range between 0 - 50°C	
Type of connection	R1/8", M5 female	
Weight	Approximately 40 gr.	

Accessories

Fastening bracket



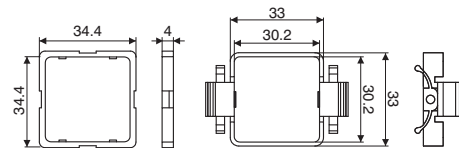
Ordering code
DS.BT5



Panel mount adapter



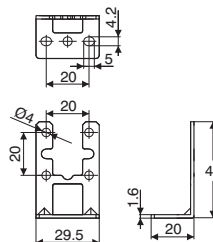
Ordering code
DS.PAC



Fastening bracket



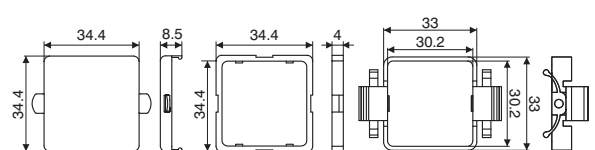
Ordering code
DS.BT6



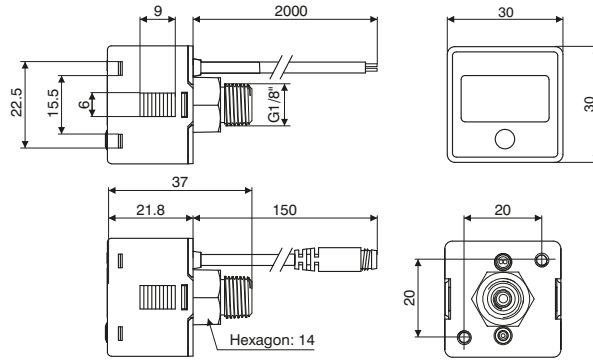
Panel mount adapter with screen protection



Ordering code
DS.PAD



Digital pressure gauge

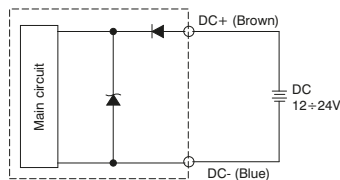


Ordering code	
DS.61.PI.F1.L.⓪	
CABLE LENGTH	
L	A=150 mm *
	D=2000 mm **
OPTIONS	
⓪	0=Without connector
Ⓛ	2=With connector M8 male 4 Pin
* only with M8 connector	
** only without connector	

Technical features

Working pressure range	0.000 - 1.000 mPa	
Regulation pressure range	-0.100 - 1.000 mPa	
Maximum supported pressure	1.5 mPa	
Allowed fluids	Air, non-corrosive gases, non-combustible gases	
Pressure calibration sensitivity	kPa	1
	kgf/cm ²	0.01
	bar	0.01
	psi	0.1
Supply voltage	From 12 to 24 VDC ± 10%	
Current consumption	10mA	
Repeatability	± 1% Full Scale ± 1 digit	
Display	Display with 3 1/2 digits (sampling 5 times per sec.)	
Indicator precision	±2% F. S. ± 1 digit (at ambient temperature of 25°C ± 3°C)	
Ingress protection rating	Protection class	IP65 (only with connected air pipe)
	Ambient temperature	Operational: 0 - 50°C, Storage: -10 - 60°C (without ice or condensation)
	Ambient humidity	Operation/Storage: 35 - 85% (without condensation)
	Supported voltage	1000VAC in 1 min. (between body and cable)
	Insulation resistance	50MΩ (at 500VDC, between body and cable)
	Vibration	Total amplitude 1.5mm or 10G, 10Hz-55Hz-10Hz scanning for 1 minute, 2 hours in each direction of X, Y and Z
Impacts/shocks	100m/s ² (10G), 3 times in each direction of X, Y and Z	
Temperature characteristics	±2% Full Scale in a range between 0 - 50°C	
Type of connection	R1/8", M5 female	
Electrical cable	Oil resistant cable (internal 0.15mm ²)	
Weight	Approximately 60 gr. (with 2 metres of cable) and Approximately 40 gr. (with M8 4 pin male connector)	

Output circuit wiring scheme

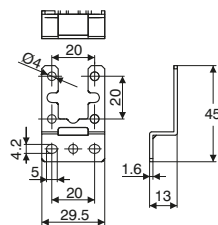


Accessories

Fastening bracket



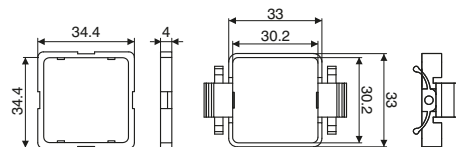
Ordering code
DS.BT5



Panel mount adapter



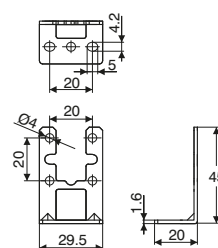
Ordering code
DS.PAC



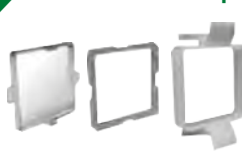
Fastening bracket



Ordering code
DS.BT6



Panel mount adapter with screen protection



Ordering code
DS.PAD

