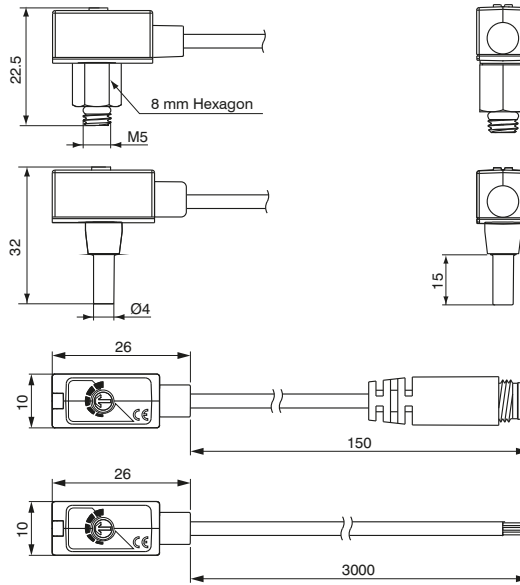


Mini digital pressure switch



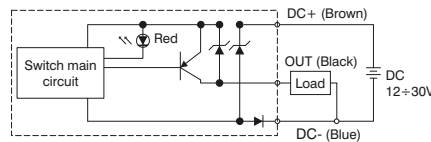
Ordering code	
DS.10.P.B.C.L.O	
CONNECTION	
C	F4=Male M5
	R4=Plug-in connection Ø4
CABLE LENGTH	
L	A=150 mm *
	E=3000 mm **
OPTIONS	
O	0=Without connector
	1=With connector M8 male 3 Pin

* only with M8 connector
** only without connector

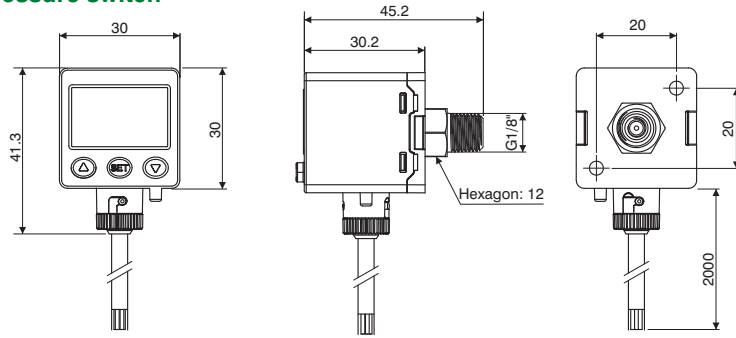
Technical features

Working pressure range	0 - 0.6 mPa
Regulation pressure range	0 - 0.6 mPa
Maximum supported pressure	1.5 mPa
Allowed fluids	Air, non-corrosive gases, non-combustible gases
Supply voltage	From 12 to 30 VDC ±10%
Current consumption	≤ 10mA
Digital output	PNP N.O. 1 outputs Maximum load current: 80mA Maximum supply voltage: 30VDC Voltage drop: ≤0.8V
Repeatability (Digital output)	± 1% Full Scale
Digital output	Type of hysteresis: fixed Hysteresis: 3% Full Scale max.
Response time	1ms
Protection from short circuit at output	Present
Method of setting threshold	Adjustable, trimmer
Indicator	LED red (output)
Ingress protection rating	Protection class: IP40 Ambient temperature: Operational: 0 - 60°C, Storage: -20 - 70°C (without ice or condensation) Ambient humidity: Operational/Storage: 35 - 85% (without condensation) Vibration: Total amplitude 1.5mm., 10Hz-55Hz-10Hz scanning for 1 minute, 2 hours in each direction of X, Y and Z Impacts/shocks: 980m/s ² (100G), 3 times in each direction of X, Y and Z
Temperature characteristics	±2% Full Scale in a range between 0 - 50°C
Type of connection	Male M5x0.8, Plug-in connection Ø4
Electrical cable	Oilproof cable, 3 wires (0.18mm ²), Ø2.6mm
Weight	Approximately 50 gr. (with 3 metres of cable)

Output circuit wiring scheme



Panel-mounted digital pressure switch

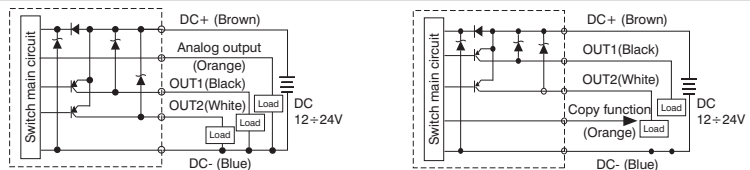


Ordering code	
DS.45.P.U.F3.D.0	
OUTPUTS	
U	E=2 PNP outputs + Analog output (4 / 20 mA)
	L=2 PNP outputs + copy function

Technical features

Working pressure range	0.000 - 1.000 mPa	
Regulation pressure range	-0.100 - 1.000 mPa	
Maximum supported pressure	1.5 mPa	
Allowed fluids	Air, non-corrosive gases, non-combustible gases	
Pressure calibration sensitivity	kPa	0.1
	kgf/cm ²	0.001
	bar	0.001
	psi	0.01
	InHg	0.1
Supply voltage	From 12 to 24 VDC	
Current consumption	≤40mA (without load)	
	PNP N.O. 2 outputs Maximum load current: 125mA Maximum supply voltage: 24VDC Voltage drop: ≤1.5V	
Digital output	± 0.2% Full Scale ± 1 digit	
Repeatability (Digital output)	Settable	
Digital output	Type of hysteresis Hysteresis	from 0.001 to 0.008 bar
Response time	≤2,5 ms (anti-interference function: 25ms, 100ms, 250ms, 500ms, 1000ms and 1500ms selectable)	
Protection from short circuit at output	Present	
Display	Display with 3 1/2 digits (red/Green)	
Indicator precision	±2% F. S. ±1 digit	
Indicator	LED Orange (output1) LED Orange (output2)	
Analog output	Output current: 4÷20mA ±2.5% F. S. Linearity: ±1% F. S.	
	Maximum load resistance: 250Ω supply at 12V and 600Ω supply at 24V Minimum load resistance: 50Ω	
	IP65	
Ingress protection rating	Protection class	IP65
	Ambient temperature	Operational: 0 - 50°C, Storage: -10 - 60°C (without ice or condensation)
	Ambient humidity	Operation/Storage: 35 - 85% (without condensation)
	Supported voltage	1000VAC in 1min. (between body and cable)
	Insulation resistance	50MΩ (at 500VDC, between body and cable)
	Vibration	Total amplitude 1.5mm or 10G, 10Hz-55Hz-10Hz scanning for 1 minute, 2 hours in each direction of X, Y and Z
Impacts/shocks	100m/s ² (10G), 3 times in each direction of X, Y and Z	
Temperature characteristics	±2.5% Full Scale in a range between 0 - 50°C	
Type of connection	G1/8" (BSPP), M5 female	
Electrical cable	Oil resistant cable (internal 0.15mm ²)	
Weight	Approximately 86 gr. (with 2 metres of cable)	

Output circuit wiring scheme

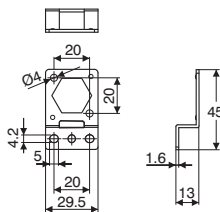


Accessories

Fastening bracket



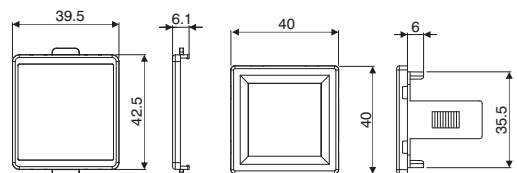
Ordering code
DS.BT10



Panel mount adapter



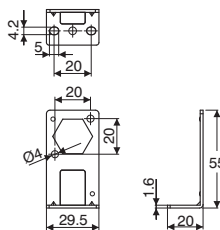
Ordering code
DS.PAE



Fastening bracket



Ordering code
DS.BT11



Panel mount adapter with screen protection



Ordering code
DS.PAF

