

Cabinet Cooler



Product Code: A70000

Meech Air Technology Stainless Steel Cabinet Coolers provide a cold air source to stop cabinets overheating and prevent ingress of contamination such as dust or moisture. When compared to fans that are commonly found in cabinets, Meech Cabinet Coolers provide the ideal cooling solution.

The Vortex tube is at the heart of the Cabinet Cooler. The cold air produced by the Vortex tube flows into the cabinet through the bulkhead fitting and is then ducted to a known problem component or to the centre of the cabinet. The hot air created by the opposite end of the Vortex tube flows to the atmosphere via a silencer.

A Cabinet Cooler System, including digital thermostat and solenoid valve is also available. The Cabinet Cooler System allows controlled efficient use of the compressed air.

Features

Benefits

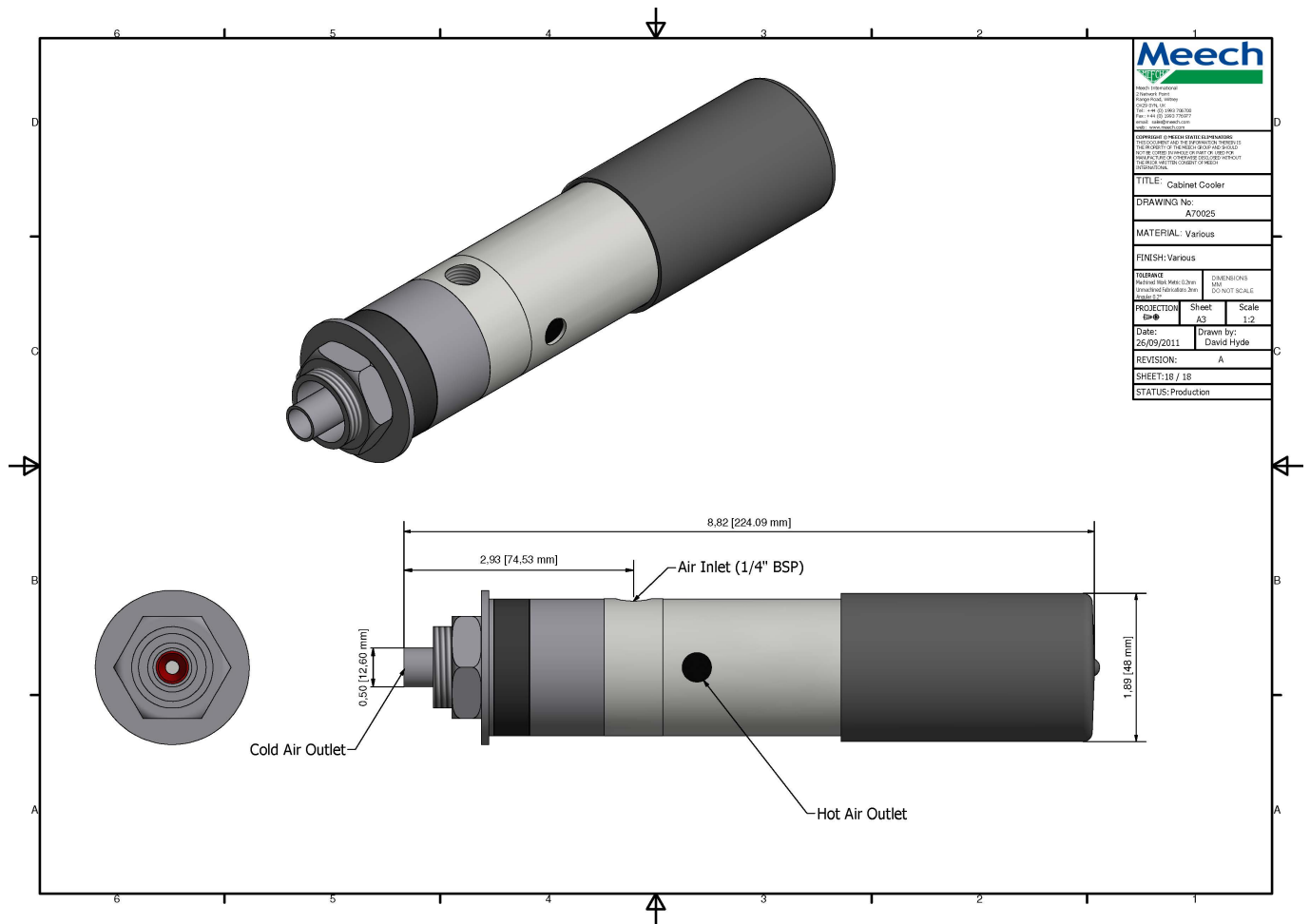
No moving parts	Low maintenance, easy to use
Stainless steel	Suitable for harsh environments
Pressure relief valve	Prevents cabinet over pressurising
Can be fitted to existing systems/cabinets	Ideal replacement for fans that are more commonly used to cool cabinets
Adjustable - with the aid of specific 'generators'	Giving versatility to the system and allowing for varying temperatures to be set
Digital thermostat & Solenoid valve (Cabinet Cooler System only)	Giving maximum efficiency

Technical Characteristics

Dimensions (mm)	(H) 224mm (200mm Visible Outside Panel) x (W) 48mm
-----------------	--

Product Data Sheet

Published Date: 30.03.2016



Product shown in this document may be covered by one or more patents, patents applied for and/or registered designs and/or trade marks. For further information please refer to our Head Office or visit www.meech.com.

Meech International

UK: +44 1993 706 700
Hungary: +36 27 535 075

US: +1 330 564 2000
China: +86 400 820 0102

Belgium: +32 8067 0204
India: +91 20-26159641

email: sales@meech.com
web: www.meech.com

