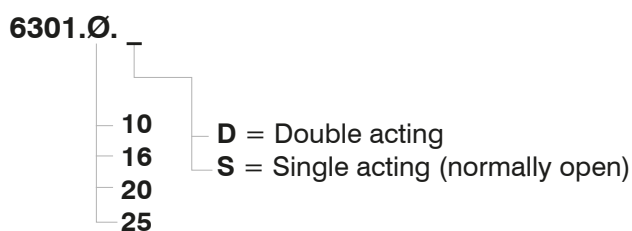


**Pneumatic grippers, angular - Standard version**



**Ordering code**



3 PNEUMATIC ACTUATION

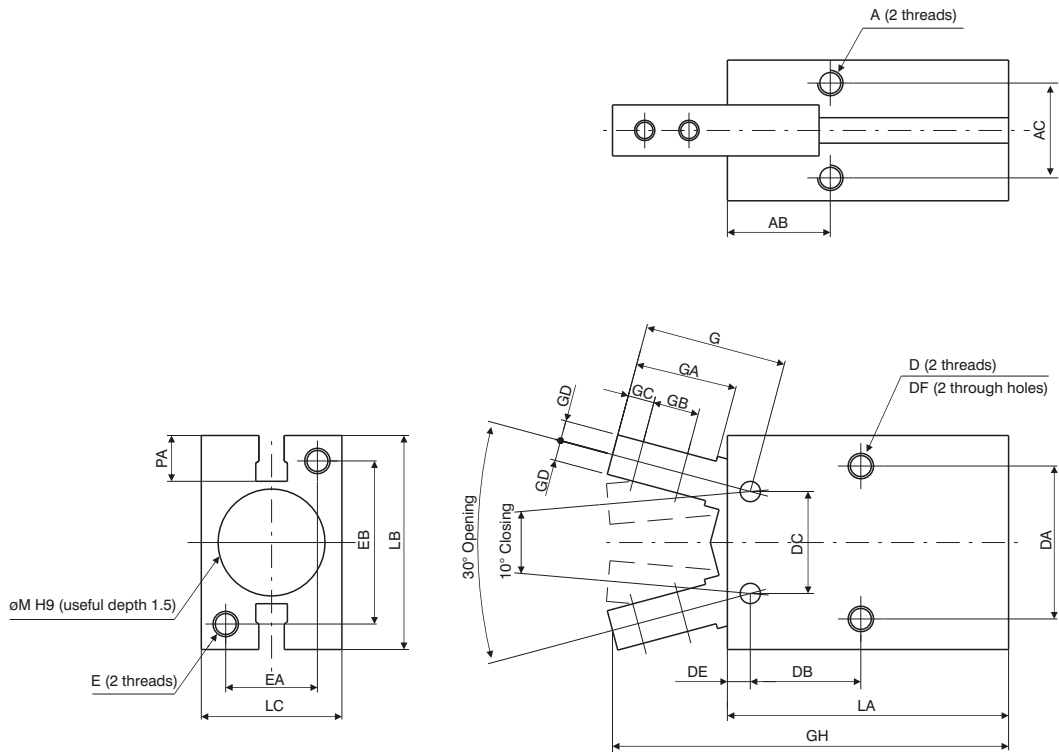
**Construction characteristics**

Body	anodised aluminium
Piston	AISI 303 stainless steel
Fingers	nitrate steel
End cap	anodised aluminium
Seals	oil resistant NBR rubber

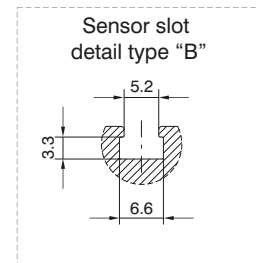
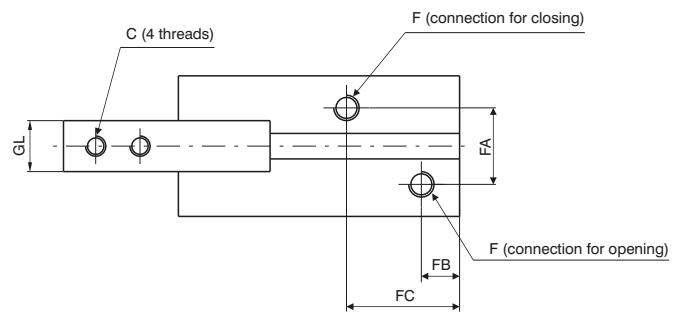
**Operational characteristics**

Fluid	Filtered air. No lubrication needed, if applied it shall be continuous.		
Working pressure	1 - 6 bar (double acting) - 2.5 - 6 bar (single acting)		
Operating temperature	-5°C - +70°C		
Opening total stroke	-10° - 30°		
Holding force (Nm) at 5 bar	Bore - Double acting - Single acting		
	Ø10	0.1	0.07
	Ø16	0.4	0.30
	Ø20	0.7	0.55
	Ø25	1.35	1.08
Maximum operating frequency	from Ø10 to Ø25, 190 cycles/minute		

Overall dimensions



Bore	Ø10	Ø16	Ø20	Ø25
<b>A</b>	M3x0,5	M4x0,7	M5x0,8	M6
Useful depth	6	6,5	8	10
<b>AB</b>	11,6	14,6	20,2	23,9
<b>AC</b>	11,4	16	18,6	22
<b>C</b>	M2,5x0,45	M3x0,5	M4x0,7	M5x0,8
<b>D</b>	M3x0,5	M4x0,7	M5x0,8	M6
Useful depth	5	8	10	12
<b>DA</b>	16	24	30	36
<b>DB</b>	12,8	16,2	21,7	25,8
<b>DC</b>	10	16	20	25
<b>DE</b>	2,8	3,9	4,5	4,6
<b>DF</b>	2,6	3,4	4,3	5,1
<b>E</b>	M3x0,5	M4x0,7	M5x0,8	M6
Useful depth	6	8	10	12
<b>EA</b>	12	15	18	22
<b>EB</b>	18	22	32	40
<b>F</b>	M3x0,5	M5x0,8	M5x0,8	M5x0,8
<b>FA</b>	11	13	15	20
<b>FB</b>	7,2	7	7,5	7,7
<b>FC</b>	18,8	18,3	22,2	23,5
<b>G</b>	17,2	22,6	28	37,5
<b>GA</b>	12	16	20	27
<b>GB</b>	5,7	7	9	12
<b>GC</b>	3	4	5,2	8
<b>GD</b>	2	3,5	4	5
<b>GH</b>	52,4	62,5	78,7	92
<b>GL</b> <sup>0/-0,1</sup>	6,4	8	10	12
<b>LA</b>	38,6	44,6	55,2	60,4
<b>LB</b>	23	30,6	42	52
<b>LC</b>	16,4	23,6	27,6	33,6
<b>M</b> <sup>H9</sup>	11	17	21	26
<b>PA</b>	5,4	5,8	9	11,5
Weight (g)	40	90	180	315



**Gripping force 5 bar (Nm)**

Bore	Ø10	Ø16	Ø20	Ø25
Double acting (Nm)	0,1	0,4	0,7	1,35
Single acting (Nm)	0,07	0,3	0,55	1,08

**NOTE:**

Bore selection should be made considering a holding force 10 to 20 times the component weight.  
 In case of acceleration/deceleration a further margin of safety should be considered.

