



Series T200

General

The **T200** series, consist of a broad range of valves with various type of actuation. The connections for this series are from G 1/8" to G 1/4". The main components constituting the valves of the Tecno228 series are manufactured with high performance technopolymer. The use of technopolymer has resulted in a light weight product which can be offered to the market at very interesting prices. The **T228** series, is manufactured with 1/8" connections, 3 and 5 ways function, mechanical or pneumatically operated, monostable spring or pneumatic return, bistable and in 5 ways 3 positions version with closed, open and pressured centres. This series is completely interchangeable with the standard 228 series (with aluminium body). The **T224** valves and solenoid valves series, are manufactured with 1/4" connections. Depending on version and actuation (manual, pneumatic, or electrical), and self aligning (pneu - elect, spring) 3/2, 5/2 and 5/3 ways function, (monostable), (bistable). The gang mounted solenoid valves are available with the traditional manifold obtained from bored square bar of series 600 and with the extruded aluminium base allowing a unic inlet port conveying the exhausts. The base is also prearranged to be fixed on DIN 46277/3 guide.

Maximum fitting torque

Thread	Maximum torque (Nm)
G 1/8"	4
G1/4"	9

Construction characteristics

	G 1/8" (T228) and G 1/4" (T224)
Body	Technopolymer
Operators	Technopolymer
Seals	NBR
Spacer	Technopolymer
Spools	Technopolymer Stainless steel only for the versions Push button-Spring and Lever lateral
Springs	Spring steel
Pistons	Technopolymer

Use and maintenance

This valves have an average life of 15 million cycles depending on the application and air quality. Filtered and lubricated air using specified lubricants will reduce the wear of the seals and ensures long and trouble free operation. Please ensure that the valve is being used according with the manufacturers specification, such as air pressure and temperature. The exhaust port of the distributor has to be protected in a dusty and dirty environment. Repair kits including the spool complete with seals are available for overhauling the valves. However, although this is a simple operation it should be carried out by a competent person.

ATTENTION: use hydraulic oil class H for lubrication such as MAGNA GC 32 (Castrol).

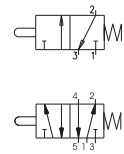
Tappet - Spring

Coding: T228.1.0.1

Operational characteristics	
Fluid	Filtered air. No lubrication needed, if applied it shall be continuous
Max working pressure (bar)	10
Temperature °C	-5 ÷ +50
Flow rate at 6 bar with Δp=1 (NI/min)	620
Orifice size (mm)	6
Working ports size	G1/8"

TYPE	
32 = 3 ways	
52 = 5 ways	

Operating force 33 N

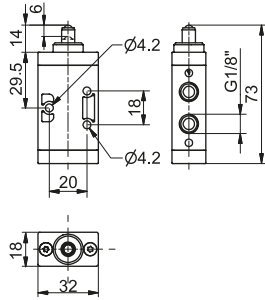


3 ways



Weight 60 g

T228.32.0.1

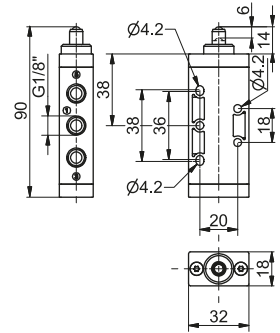


5 ways



Weight 72 g

T228.52.0.1



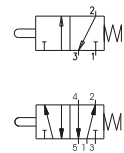
Tappet panel - Spring

Coding: T228.1.1.1

Operational characteristics	
Fluid	Filtered air. No lubrication needed, if applied it shall be continuous
Max working pressure (bar)	10
Temperature °C	-5 ÷ +50
Flow rate at 6 bar with Δp=1 (NI/min)	620
Orifice size (mm)	6
Working ports size	G1/8"

TYPE	
32 = 3 ways	
52 = 5 ways	

Operating force 33 N

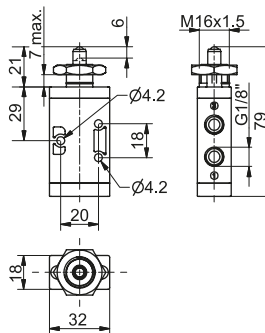


3 ways



Weight 77 g

T228.32.1.1

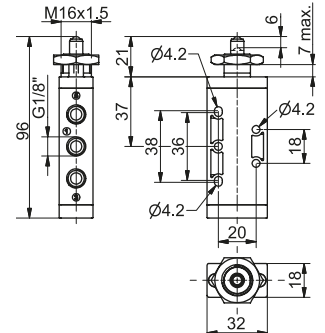


5 ways



Weight 90 g

T228.52.1.1



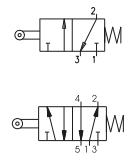
Lever roller

Coding: T228.1.2.V

Operational characteristics	
Fluid	Filtered air. No lubrication needed, if applied it shall be continuous
Max working pressure (bar)	10
Temperature °C	-5 ÷ +50
Flow rate at 6 bar with Δp=1 (NI/min)	620
Orifice size (mm)	6
Working ports size	G1/8"

TYPE	
32 = 3 ways	
52 = 5 ways	
VERSION	
1 = Plastic roller	
1/1 = ball bearing	
1/2 = Metal roller	

Operating force 15 N

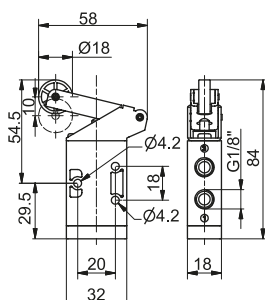


3 ways



Weight 90 g

T228.32.2.V

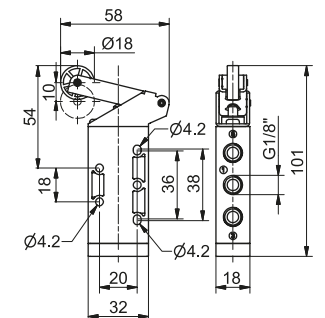


5 ways



Weight 102 g

T228.52.2.V





1 AIR DISTRIBUTION

Lever roller ball bearing - Spring

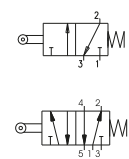
Coding: T228.1.2.1/1

Operational characteristics

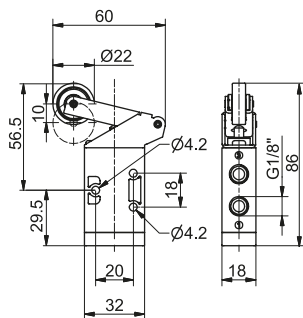
Fluid	Filtered air. No lubrication needed, if applied it shall be continuous
Max working pressure (bar)	10
Temperature °C	-5 ÷ +50
Flow rate at 6 bar with Δp=1 (NI/min)	620
Orifice size (mm)	6
Working ports size	G1/8"

TYPE	
1	32 = 3 ways
	52 = 5 ways

Operating force 15 N



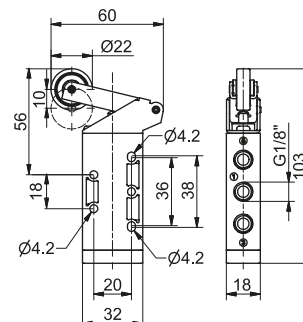
3 ways



Weight 105 g

T228.32.2.1/1

5 ways



Weight 117 g

T228.52.2.1/1

Lever button - Spring

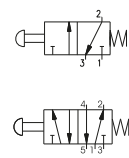
Coding: T228.1.2.6/C

Operational characteristics

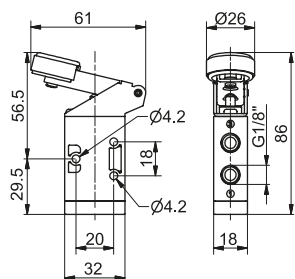
Fluid	Filtered air. No lubrication needed, if applied it shall be continuous
Max working pressure (bar)	10
Temperature °C	-5 ÷ +50
Flow rate at 6 bar with Δp=1 (NI/min)	620
Orifice size (mm)	6
Working ports size	G1/8"

TYPE	
1	32 = 3 ways
	52 = 5 ways
LEVER COLOR	
1	Red
2	Black
3	Green

Operating force 15 N



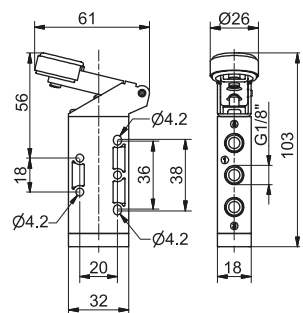
3 ways



Weight 95 g

T228.32.2.6/C

5 ways



Weight 87 g

T228.52.2.6/C

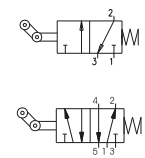
Lever roller unidirectional - Spring

Coding: T228.1.3.V

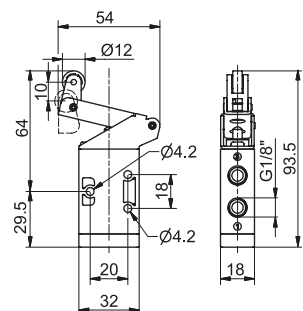
Operational characteristics

Fluid	Filtered air. No lubrication needed, if applied it shall be continuous
Max working pressure (bar)	10
Temperature °C	-5 ÷ +50
Flow rate at 6 bar with Δp=1 (NI/min)	620
Orifice size (mm)	6
Working ports size	G1/8"

TYPE	
1	32 = 3 ways
	52 = 5 ways
VERSION	
1	Plastic roller
1/2	Metal roller



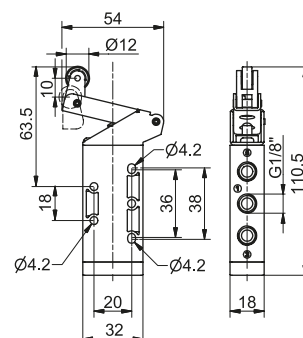
3 ways



Weight 85 g

T228.32.3.V

5 ways



Weight 97 g

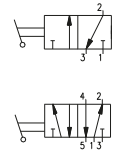
T228.52.3.V

Lever panel Ø30 - 2 positions

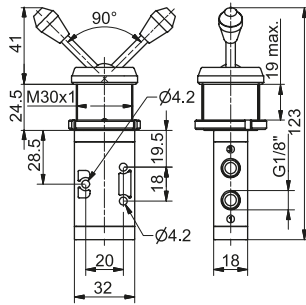
Coding: T228.1.5/C

Operational characteristics	
Fluid	Filtered air. No lubrication needed, if applied it shall be continuous
Max working pressure (bar)	10
Temperature °C	-5 ÷ +50
Flow rate at 6 bar with Δp=1 (NI/min)	620
Orifice size (mm)	6
Working ports size	G1/8"

T	TYPE
	32 = 3 ways 52 = 5 ways
C	LEVER COLOR
	1 = Red 2 = Black 3 = Green



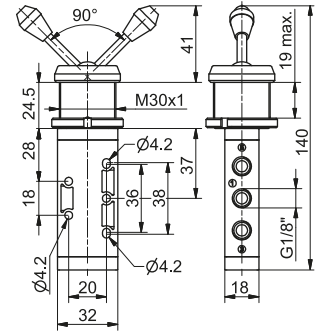
3 ways



Weight 168 g

T228.32.5/C

5 ways



Weight 180 g

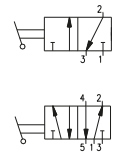
T228.52.5/C

Lever lateral 2 positions

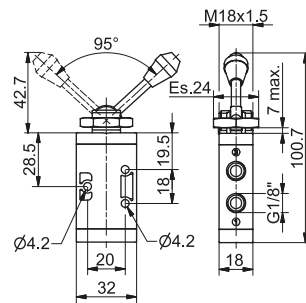
Coding: T228.1.55/C

Operational characteristics	
Fluid	Filtered air. No lubrication needed, if applied it shall be continuous
Max working pressure (bar)	10
Temperature °C	-5 ÷ +50
Flow rate at 6 bar with Δp=1 (NI/min)	620
Orifice size (mm)	6
Working ports size	G1/8"

T	TYPE
	32 = 3 ways 52 = 5 ways
C	LEVER COLOR
	1 = Red 2 = Black 3 = Green



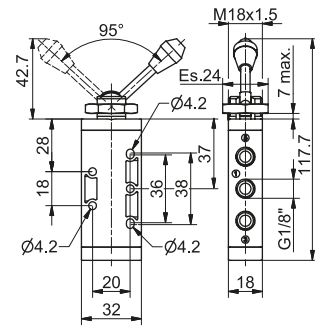
3 ways



Weight 84 g

T228.32.55/C

5 ways



Weight 96 g

T228.52.55/C

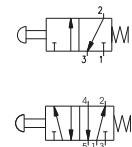
Push button Ø 30 - spring

Coding: T228.1.6.1/C

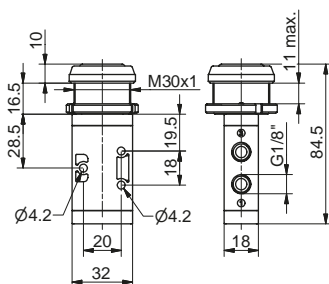
Operational characteristics	
Fluid	Filtered air. No lubrication needed, if applied it shall be continuous
Max working pressure (bar)	10
Temperature °C	-5 ÷ +50
Flow rate at 6 bar with Δp=1 (NI/min)	620
Orifice size (mm)	6
Working ports size	G1/8"

T	TYPE
	32 = 3 ways 52 = 5 ways
C	BUTTON COLOR
	1 = Red 2 = Black 3 = Green

Operating force 33 N



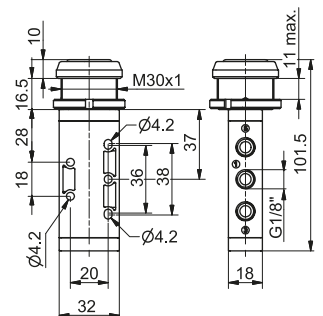
3 ways



Weight 125 g

T228.32.6.1/C

5 ways



Weight 137 g

T228.52.6.1/C



Push button - Spring

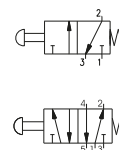
Coding: T228.1.6.22/C

Operational characteristics

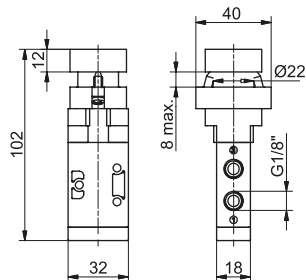
Fluid	Filtered air. No lubrication needed, if applied it shall be continuous
Max working pressure (bar)	10
Temperature °C	-5 ÷ +50
Flow rate at 6 bar with Δp=1 (NI/min)	620
Orifice size (mm)	6
Working ports size	G1/8"

TYPE	32 = 3 ways 52 = 5 ways
BUTTON COLOR	1 = Red 2 = Black 3 = Green 4 = Yellow

Operating force 33 N



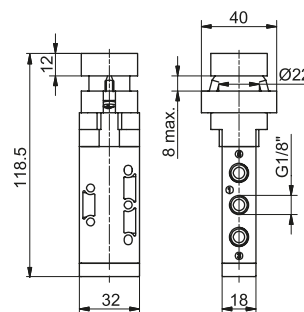
3 ways



Weight 200 g

T228.32.6.22/C

5 ways



Weight 212 g

T228.52.6.22/C

Raised push button Ø22 - Spring

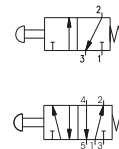
Coding: T228.1.6.23/C

Operational characteristics

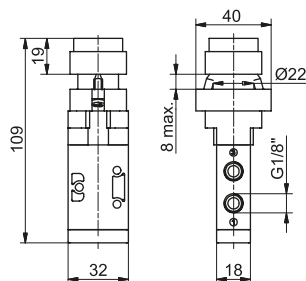
Fluid	Filtered air. No lubrication needed, if applied it shall be continuous
Max working pressure (bar)	10
Temperature °C	-5 ÷ +50
Flow rate at 6 bar with Δp=1 (NI/min)	620
Orifice size (mm)	6
Working ports size	G1/8"

TYPE	32 = 3 ways 52 = 5 ways
BUTTON COLOR	1 = Red 2 = Black 3 = Green 4 = Yellow

Operating force 33 N



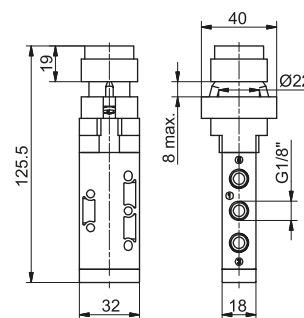
3 ways



Weight 205 g

T228.32.6.23/C

5 ways



Weight 217 g

T228.52.6.23/C

Push button Ø22 - 2 positions

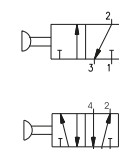
Coding: T228.1.6.25

Operational characteristics

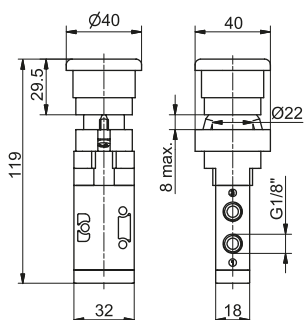
Fluid	Filtered air. No lubrication needed, if applied it shall be continuous
Max working pressure (bar)	10
Temperature °C	-5 ÷ +50
Flow rate at 6 bar with Δp=1 (NI/min)	620
Orifice size (mm)	6
Working ports size	G1/8"

TYPE	32 = 3 ways 52 = 5 ways
------	----------------------------

Operating force 33 N



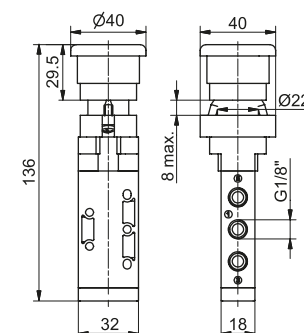
3 ways



Weight 210 g

T228.32.6.25

5 ways



Weight 202 g

T228.52.6.25

AIR DISTRIBUTION 1

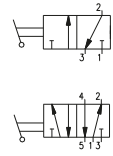
Switch 2 positions

Coding: T228.1.6.27

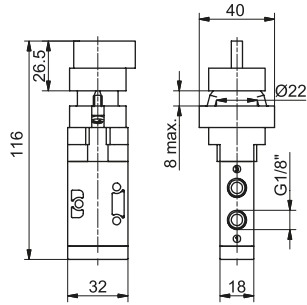
Operational characteristics	
Fluid	Filtered air. No lubrication needed, if applied it shall be continuous
Max working pressure (bar)	10
Temperature °C	-5 ÷ +50
Flow rate at 6 bar with Δp=1 (NI/min)	620
Orifice size (mm)	6
Working ports size	G1/8"

T	TYPE
	32 = 3 ways
	52 = 5 ways

Operating force 33 N



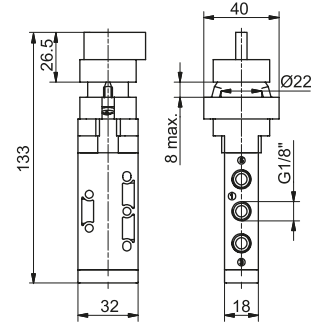
3 ways



Weight 205 g

T228.32.6.27

5 ways



Weight 217 g

T228.52.6.27

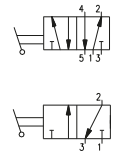
Key switch 2 positions

Coding: T228.1.6.28

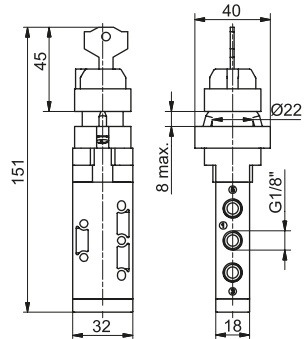
Operational characteristics	
Fluid	Filtered air. No lubrication needed, if applied it shall be continuous
Max working pressure (bar)	10
Temperature °C	-5 ÷ +50
Flow rate at 6 bar with Δp=1 (NI/min)	620
Orifice size (mm)	6
Working ports size	G1/8"

T	TYPE
	32 = 3 ways
	52 = 5 ways

Operating force 33 N



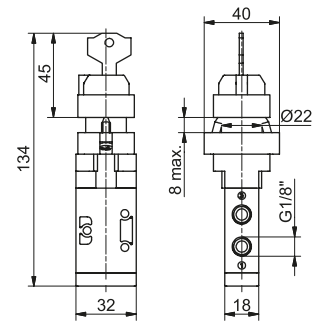
5 ways



Weight 217 g

T228.52.6.28

3 ways



Weight 205 g

T228.32.6.28

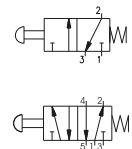
Palm push button Ø30 2 positions

Coding: T228.1.7.1/C

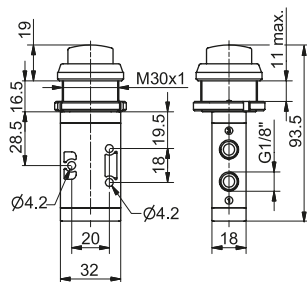
Operational characteristics	
Fluid	Filtered air. No lubrication needed, if applied it shall be continuous
Max working pressure (bar)	10
Temperature °C	-5 ÷ +50
Flow rate at 6 bar with Δp=1 (NI/min)	620
Orifice size (mm)	6
Working ports size	G1/8"

T	TYPE
	32 = 3 ways
	52 = 5 ways
C	BUTTON COLOR
	1 = Red
	2 = Black
3 = Green	

Operating force 33 N



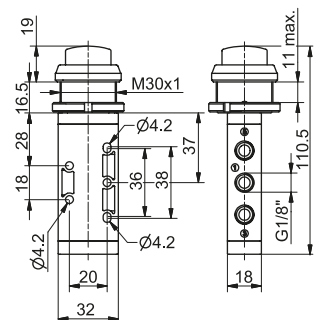
3 ways



Weight 118 g

T228.32.7.1/C

5 ways



Weight 130 g

T228.52.7.1/C

Push button - Spring

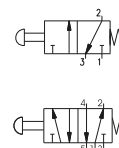
Coding: T228.1.8.1/C

Operational characteristics

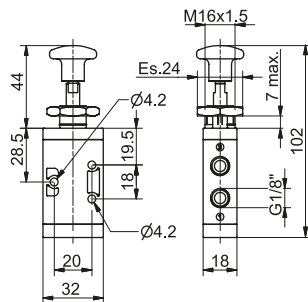
Fluid	Filtered air. No lubrication needed, if applied it shall be continuous
Max working pressure (bar)	10
Temperature °C	-5 ÷ +50
Flow rate at 6 bar with Δp=1 (NI/min)	620
Orifice size (mm)	6
Working ports size	G1/8"

TYPE	32 = 3 ways 52 = 5 ways
BUTTON COLOR	1 = Red 2 = Black 3 = Green

Operating force 33 N



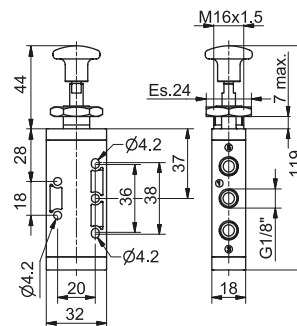
3 ways



Weight 95 g

T228.32.8.1/C

5 ways



Weight 107 g

T228.52.8.1/C

Push button 2 positions

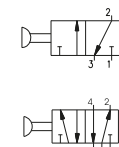
Coding: T228.1.8/C

Operational characteristics

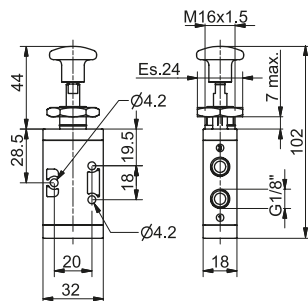
Fluid	Filtered air. No lubrication needed, if applied it shall be continuous
Max working pressure (bar)	10
Temperature °C	-5 ÷ +50
Flow rate at 6 bar with Δp=1 (NI/min)	620
Orifice size (mm)	6
Working ports size	G1/8"

TYPE	32 = 3 ways 52 = 5 ways
BUTTON COLOR	1 = Red 2 = Black 3 = Green

Operating force 10 N



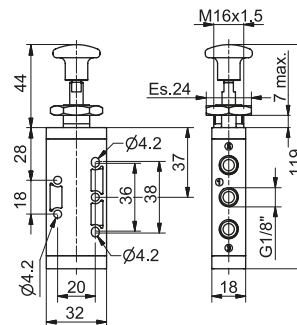
3 ways



Weight 95 g

T228.32.8/C

5 ways



Weight 107 g

T228.52.8/C

Lever lateral - Spring

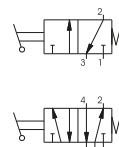
Coding: T228.1.9.1/C

Operational characteristics

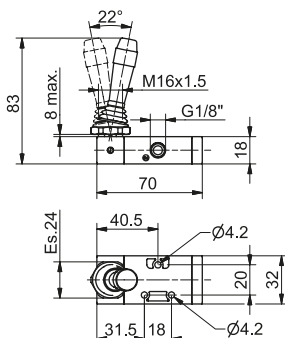
Fluid	Filtered air. No lubrication needed, if applied it shall be continuous
Max working pressure (bar)	10
Temperature °C	-5 ÷ +50
Flow rate at 6 bar with Δp=1 (NI/min)	620
Orifice size (mm)	6
Working ports size	G1/8"

TYPE	32 = 3 ways 52 = 5 ways
LEVER COLOR	1 = Red 2 = Black 3 = Green

Operating force 10 N



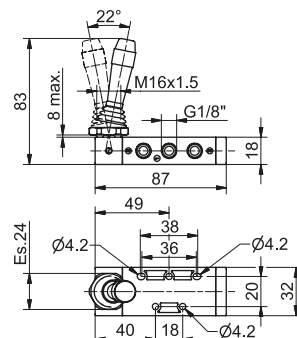
3 ways



Weight 100 g

T228.32.9.1/C

5 ways



Weight 110 g

T228.52.9.1/C

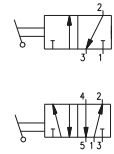
AIR DISTRIBUTION

Lever lateral 2 positions

Coding: T228.1.9/C

Operational characteristics	
Fluid	Filtered air. No lubrication needed, if applied it shall be continuous
Max working pressure (bar)	10
Temperature °C	-5 ÷ +50
Flow rate at 6 bar with Δp=1 (NI/min)	620
Orifice size (mm)	6
Working ports size	G1/8"

T	TYPE
	32 = 3 ways
	52 = 5 ways
	LEVER COLOR
C	1 = Red
	2 = Black
	3 = Green

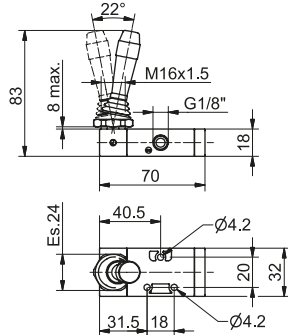


3 ways



Weight 100 g

T228.32.9/C

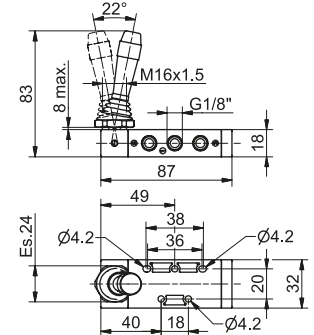


5 ways



Weight 110 g

T228.52.9/C



Lever lateral - Spring 3 positions

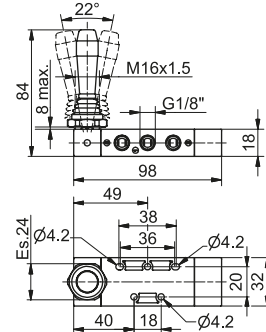
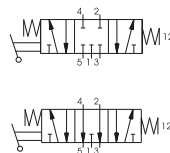
Coding: T228.53.F.9.1.C

Operational characteristics	
Fluid	Filtered air. No lubrication needed, if applied it shall be continuous
Max working pressure (bar)	10
Temperature °C	-5 ÷ +50
Flow rate at 6 bar with Δp=1 (NI/min)	410
Orifice size (mm)	6
Working ports size	G1/8"

F	FUNCTION
	31 = Closed centres
	32 = Open centres
	LEVER COLOR
C	1 = Red
	2 = Black
	3 = Green



Weight 140 g



Lever lateral - Spring 3 positions detent

Coding: T228.53.F.9/C

Operational characteristics	
Fluid	Filtered air. No lubrication needed, if applied it shall be continuous
Max working pressure (bar)	10
Temperature °C	-5 ÷ +70
Flow rate at 6 bar with Δp=1 (NI/min)	410
Orifice size (mm)	6
Working ports size	G1/8"

F	FUNCTION
	31 = Closed centres
	32 = Open centres
	LEVER COLOR
C	1 = Red
	2 = Black
	3 = Green



Weight 110 g

