

General

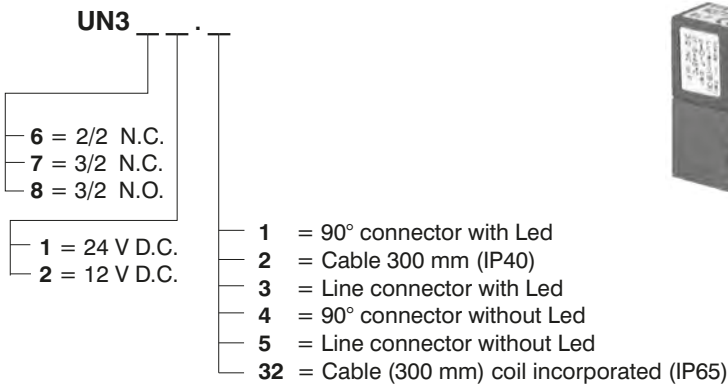
The series **us** homologated solenoid valves (valid for USA and Canada file n. E206325-VAIU2, VAIU8) are different from the standard ones for microsolenoid made with an injected RYNITE embedded copper wire (they are included in class "F" insulation).

Refer to standard versions as for as other details and accessories to be used with solenoid valves.

1
AIR DISTRIBUTION

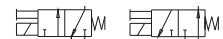
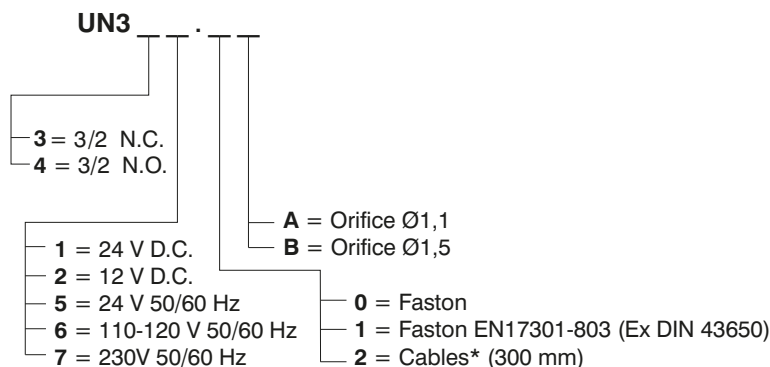
Miniature solenoid valve 10mm

Ordering code



Miniature solenoid valve 15mm

Ordering code



* On request and for large quantity only (only 24 V D.C. 2,3 W)

Miniature solenoid valve 22mm

Ordering code

