

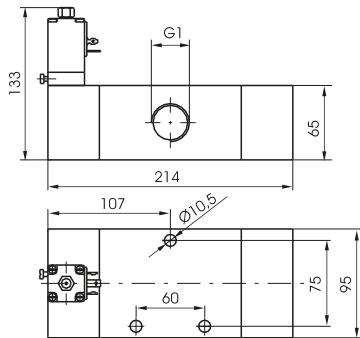
Solenoid - Spring

Coding: 411. **T**.0.1. **S**

Operational characteristics	
Fluid	Filtered air. No lubrication needed, if applied it shall be continuous
Max working pressure (bar)	10
Temperature °C	-5 ÷ +50
Flow rate at 6 bar with Δp=1 (NI/min)	6500
Orifice size (mm)	20
Working ports size	G 1"

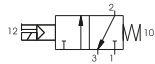
T	TYPE 32 = 3 ways 52 = 5 ways
S	SOLENOID SEE SOLENOID VALVES "S" TYPE, SERIES 300

3 ways

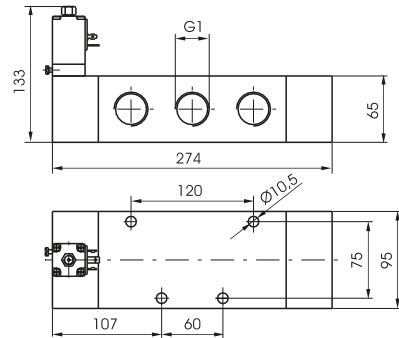


Weight 3400 g
Minimum working pressure 2,5 bar

411.32.0.1. **S**

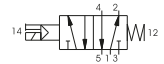


5 ways



Weight 4300 g
Minimum working pressure 2,5 bar

411.52.0.1. **S**



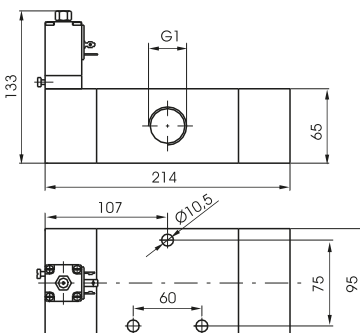
Solenoid - Differential

Coding: 411. **T**.0.12. **S**

Operational characteristics	
Fluid	Filtered air. No lubrication needed, if applied it shall be continuous
Max working pressure (bar)	10
Temperature °C	-5 ÷ +50
Flow rate at 6 bar with Δp=1 (NI/min)	6500
Orifice size (mm)	20
Working ports size	G 1"

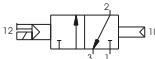
T	TYPE 32 = 3 ways 52 = 5 ways
S	SOLENOID SEE SOLENOID VALVES "S" TYPE, SERIES 300

3 ways

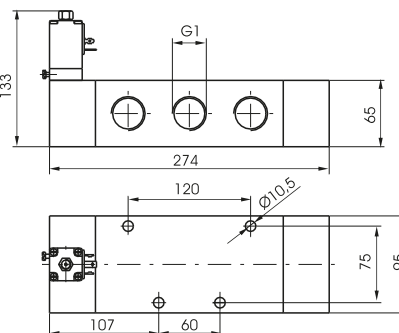


Weight 3400 g
Minimum working pressure 2,5 bar

411.32.0.12. **S**



5 ways



Weight 4300 g
Minimum working pressure 2,5 bar

411.52.0.12. **S**



1
AIR DISTRIBUTION

Solenoid - Solenoid

Coding: 411.1.0.0.S

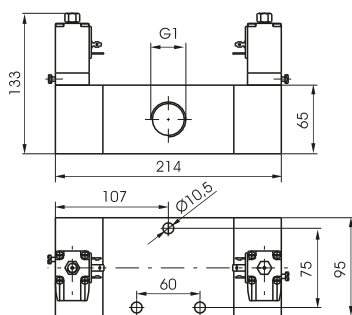
Operational characteristics

Fluid	Filtered air. No lubrication needed, if applied it shall be continuous
Max working pressure (bar)	10
Temperature °C	-5 ÷ +50
Flow rate at 6 bar with Δp=1 (NI/min)	6500
Orifice size (mm)	20
Working ports size	G1"

TYPE	
1	32 = 3 ways
	52 = 5 ways
SOLENOID	
S	SEE SOLENOID VALVES "S" TYPE, SERIES 300

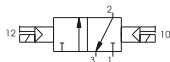
AIR DISTRIBUTION

3 ways

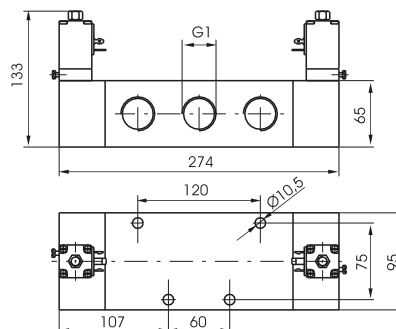


Weight 3700 g
Minimum working pressure 2 bar

411.32.0.0.S

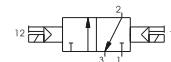


5 ways 2 connections



Weight 4600 g
Minimum working pressure 2 bar

411.52.0.0.S



Solenoid - Solenoid 5 ways 3 connections

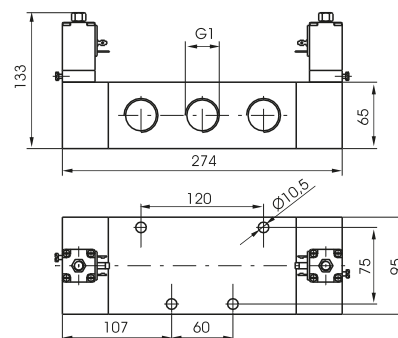
Coding: 411.53.F.0.0.S

Operational characteristics

Fluid	Filtered air. No lubrication needed, if applied it shall be continuous
Max working pressure (bar)	10
Temperature °C	-5 ÷ +50
Flow rate at 6 bar with Δp=1 (NI/min)	6500
Orifice size (mm)	20
Working ports size	G1"

FUNCTION	
F	31 = Closed centres
	32 = Open centres
	33 = Pressured centres
SOLENOID	
S	SEE SOLENOID VALVES "S" TYPE, SERIES 300

5 ways 3 connections



Weight 4700 g
Minimum working pressure 3 bar

