

**Solenoid - Spring**

Coding: 452.Ⓡ.0.1.M2

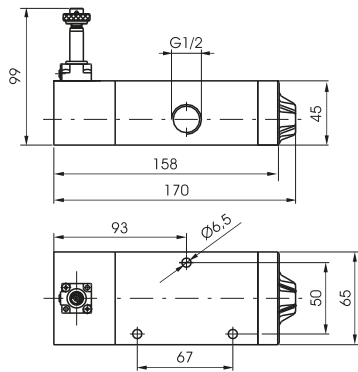
Operational characteristics	
Fluid	Filtered air. No lubrication needed, if applied it shall be continuous
Max working pressure (bar)	10
Temperature °C	-5 ÷ +50
Flow rate at 6 bar with Δp=1 (NI/min)	3500
Orifice size (mm)	15
Working ports size	G 1/2"

TYPE	
Ⓡ 32 = 3 ways	
52 = 5 ways	



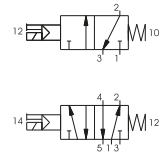
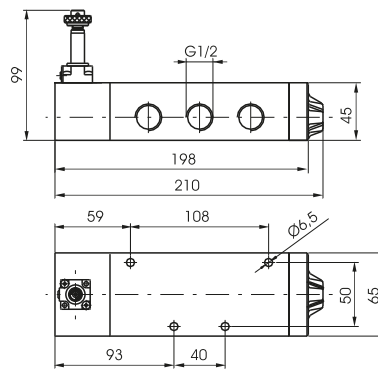
Weight 1152 g  
Minimum working pressure 2,5 bar

452.32.0.1.M2



Weight 1422 g  
Minimum working pressure 2,5 bar

452.52.0.1.M2



**Solenoid - Differential**

Coding: 452.Ⓡ.0.12.M2

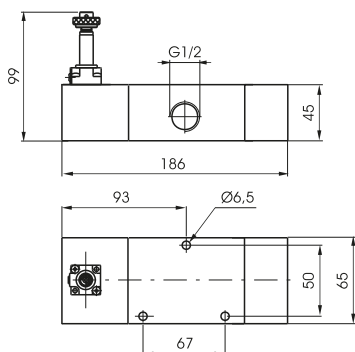
Operational characteristics	
Fluid	Filtered air. No lubrication needed, if applied it shall be continuous
Max working pressure (bar)	10
Temperature °C	-5 ÷ +50
Flow rate at 6 bar with Δp=1 (NI/min)	3500
Orifice size (mm)	15
Working ports size	G 1/2"

TYPE	
Ⓡ 32 = 3 ways	
52 = 5 ways	



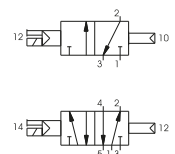
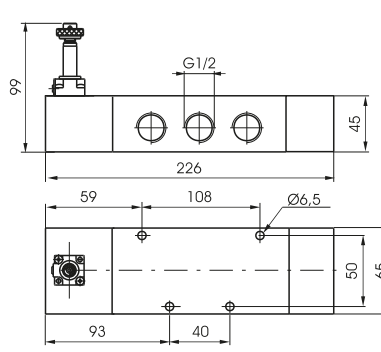
Weight 1422 g  
Minimum working pressure 2,5 bar

452.32.0.12.M2



Weight 1692 g  
Minimum working pressure 2 bar

452.52.0.12.M2



**Solenoid - Solenoid**

Coding: 452.0.0.M2

**Operational characteristics**

Fluid	Filtered air. No lubrication needed, if applied it shall be continuous
Max working pressure (bar)	10
Temperature °C	-5 ÷ +50
Flow rate at 6 bar with Δp=1 (NI/min)	3500
Orifice size (mm)	15
Working ports size	G 1/2"

TYPE
<b>32</b> = 3 ways
<b>52</b> = 5 ways



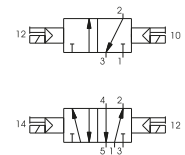
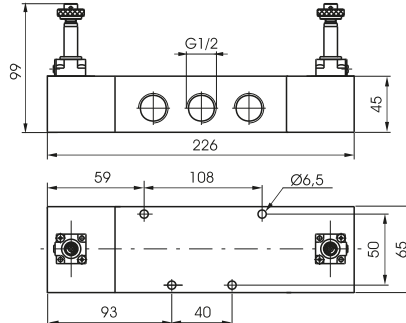
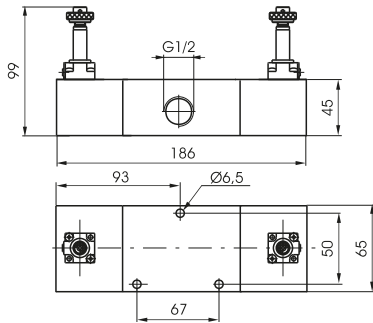
Weight 1474 g  
Minimum working pressure 2 bar

452.32.0.0.M2



Weight 1744 g  
Minimum working pressure 2 bar

452.52.0.0.M2



**Solenoid - Solenoid 5 ways 3 connections**

Coding: 452.53.0.0.M2

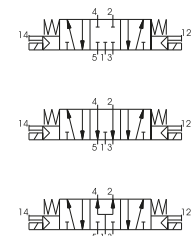
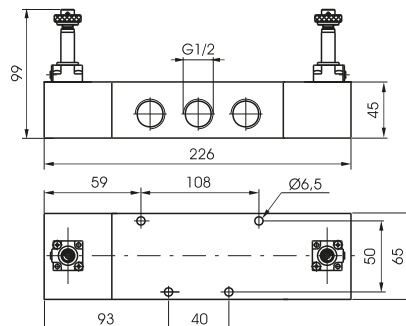
**Operational characteristics**

Fluid	Filtered air. No lubrication needed, if applied it shall be continuous
Max working pressure (bar)	10
Temperature °C	-5 ÷ +50
Flow rate at 6 bar with Δp=1 (NI/min)	3500
Orifice size (mm)	15
Working ports size	G 1/2"

FUNCTION
<b>31</b> = Closed centres
<b>32</b> = Open centres
<b>33</b> = Pressured centres



Weight 1744 g  
Minimum working pressure 3 bar



AIR DISTRIBUTION

1

**Solenoid - Spring**

Coding: 452/1.1.0.1.M2

Operational characteristics	
Fluid	Filtered air. No lubrication needed, if applied it shall be continuous
Max working pressure (bar)	10
Temperature °C	-5 ÷ +50
Flow rate at 6 bar with Δp=1 (NI/min)	3500
Orifice size (mm)	15
Working ports size	G 1/2"

TYPE	
1 32 = 3 ways	
52 = 5 ways	



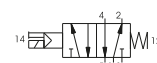
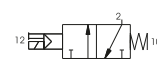
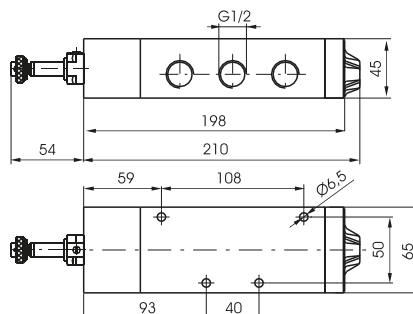
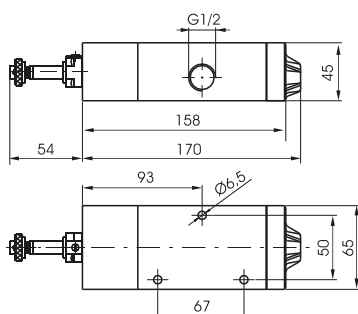
Weight 1330 g  
Minimum working pressure 2,5 bar

452/1.32.0.1.M2



Weight 1600 g  
Minimum working pressure 2,5 bar

452/1.52.0.1.M2



**Solenoid - Differential**

Coding: 452/1.1.0.12.M2

Operational characteristics	
Fluid	Filtered air. No lubrication needed, if applied it shall be continuous
Max working pressure (bar)	10
Temperature °C	-5 ÷ +50
Flow rate at 6 bar with Δp=1 (NI/min)	3500
Orifice size (mm)	15
Working ports size	G 1/2"

TYPE	
1 32 = 3 ways	
52 = 5 ways	



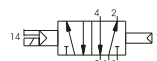
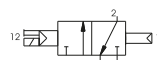
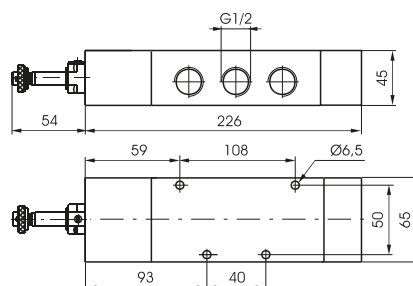
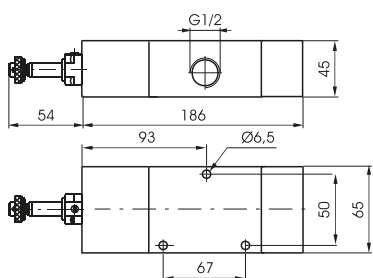
Weight 1600 g  
Minimum working pressure 2,5 bar

452/1.32.0.12.M2



Weight 1870 g  
Minimum working pressure 2 bar

452/1.52.0.12.M2



**Solenoid - Solenoid**

Coding: 452/1.0.0.M2

**Operational characteristics**

Fluid	Filtered air. No lubrication needed, if applied it shall be continuous
Max working pressure (bar)	10
Temperature °C	-5 ÷ +50
Flow rate at 6 bar with Δp=1 (NI/min)	3500
Orifice size (mm)	15
Working ports size	G 1/2"

TYPE
32 = 3 ways
52 = 5 ways

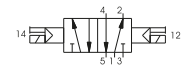
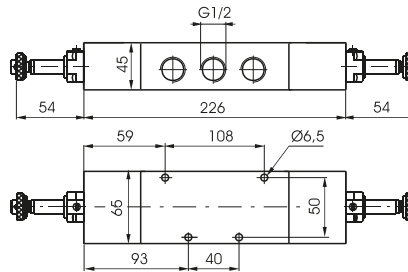
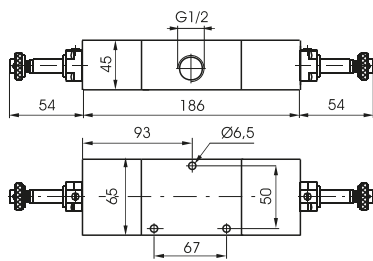


Weight 1830 g  
Minimum working pressure 2 bar

452/1.32.0.0.M2

Weight 2100 g  
Minimum working pressure 2 bar

452/1.52.0.0.M2



**Solenoid - Solenoid 5 ways 3 connections**

Coding: 452/1.53.0.0.M2

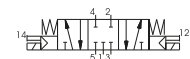
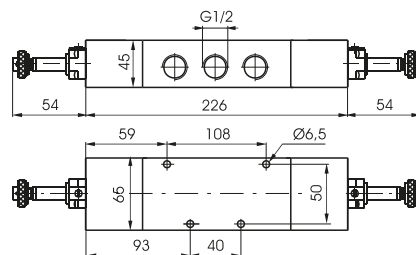
**Operational characteristics**

Fluid	Filtered air. No lubrication needed, if applied it shall be continuous
Max working pressure (bar)	10
Temperature °C	-5 ÷ +50
Flow rate at 6 bar with Δp=1 (NI/min)	3500
Orifice size (mm)	15
Working ports size	G 1/2"

FUNCTION
31 = Closed centres
32 = Open centres
33 = Pressured centres



Weight 2100 g  
Minimum working pressure 3 bar



AIR DISTRIBUTION

1

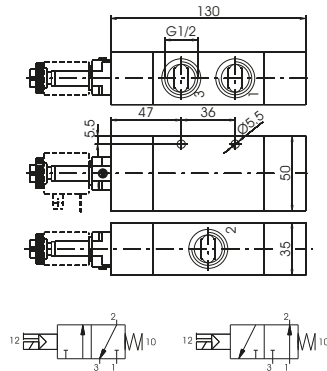
**Solenoid - Spring**

Coding: 412/2.①.0.1.②.M2

Operational characteristics	
Fluid	Filtered air. No lubrication needed, if applied it shall be continuous
Max working pressure (bar)	10
Temperature °C	-5 ÷ +50
Flow rate at 6 bar with Δp=1 (NI/min)	3600
Orifice size (mm)	15
Working ports size	G 1/2"

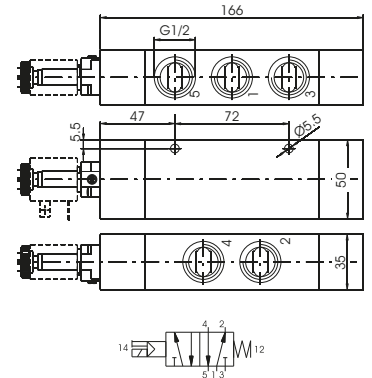
TYPE	① 32 = 3 ways ② 52 = 5 ways
FUNCTION (only for 3 ways)	② C = Normally Closed A = Normally Open

3 ways



Weight 578 g  
Minimum working pressure 2,5 bar  
412/2.32.0.1.②.M2

5 ways



Weight 700 g  
Minimum working pressure 2,5 bar  
412/2.52.0.1.②.M2

1  
AIR DISTRIBUTION

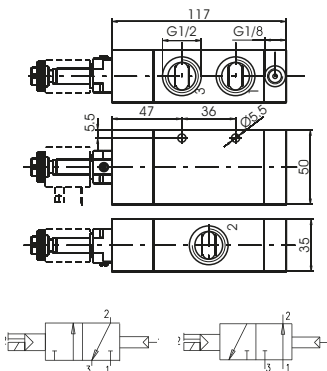
**Solenoid - Differential external**

Coding: 412/2.①.0.12.②.M2

Operational characteristics	
Fluid	Filtered air. No lubrication needed, if applied it shall be continuous
Max working pressure (bar)	10
Temperature °C	-5 ÷ +50
Flow rate at 6 bar with Δp=1 (NI/min)	3600
Orifice size (mm)	15
Working ports size	G 1/2"

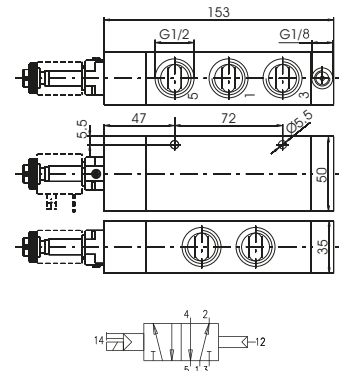
TYPE	① 32 = 3 ways ② 52 = 5 ways
FUNCTION (only for 3 ways)	② C = Normally Closed A = Normally Open

3 ways



Weight 522 g  
Minimum working pressure 2,5 bar  
412/2.32.0.12.②.M2

5 ways



Weight 644 g  
Minimum working pressure 2,5 bar  
412/2.52.0.12.②.M2

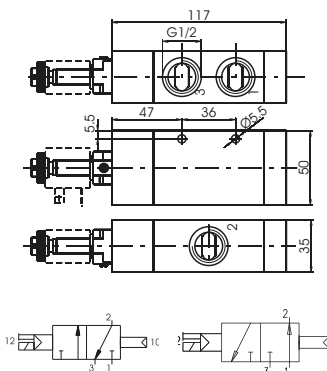
**Pneumatic - Differential self aligned**

Coding: 412/2.①.0.12/1.②.M2

Operational characteristics	
Fluid	Filtered air. No lubrication needed, if applied it shall be continuous
Max working pressure (bar)	10
Temperature °C	-5 ÷ +50
Flow rate at 6 bar with Δp=1 (NI/min)	3600
Orifice size (mm)	15
Working ports size	G 1/2"

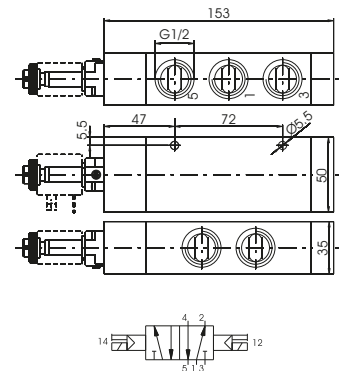
TYPE	① 32 = 3 ways ② 52 = 5 ways
FUNCTION (only for 3 ways)	② C = Normally Closed A = Normally Open

3 ways



Weight 526 g  
Minimum working pressure 2,5 bar  
412/2.32.0.12/1.②.M2

5 ways



Weight 648 g  
Minimum working pressure 2,5 bar  
412/2.52.0.12/1.②.M2

**Solenoid - Solenoid**

Coding: 412/2.Ⓡ.0.0.M2

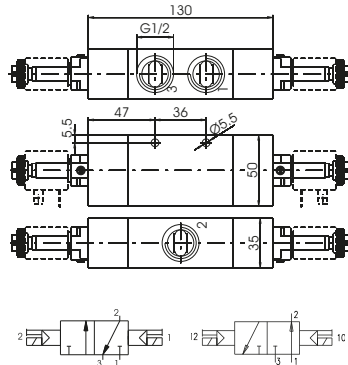
**Operational characteristics**

Fluid	Filtered air. No lubrication needed, if applied it shall be continuous
Max working pressure (bar)	10
Temperature °C	-5 ÷ +50
Flow rate at 6 bar with Δp=1 (Nl/min)	3600
Orifice size (mm)	15
Working ports size	G 1/2"

TYPE
Ⓡ = 3 ways
Ⓢ = 5 ways

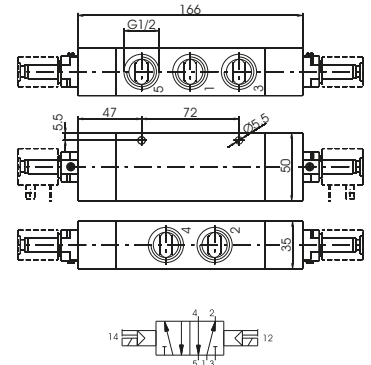
AIR DISTRIBUTION

3 ways



Weight 612 g  
Minimum working pressure 2 bar  
412/2.32.0.0.M2

5 ways 2 connections



Weight 732 g  
Minimum working pressure 2 bar  
412/2.52.0.0.M2

**Solenoid - Solenoid 5 ways 3 connections**

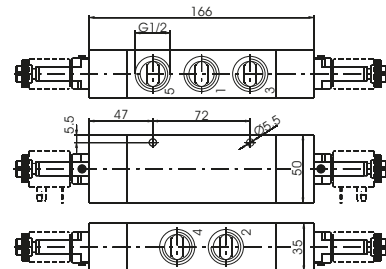
Coding: 412/2.53.Ⓢ.0.0.M2

**Operational characteristics**

Fluid	Filtered air. No lubrication needed, if applied it shall be continuous
Max working pressure (bar)	10
Temperature °C	-5 ÷ +50
Flow rate at 6 bar with Δp=1 (Nl/min)	3300
Orifice size (mm)	15
Working ports size	G 1/2"

FUNCTION
Ⓢ = Closed centres
Ⓢ = Open centres
Ⓢ = Pressured centres

5 ways 3 connections



Weight 794 g  
Minimum working pressure 3 bar

