

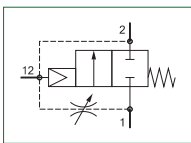
▶ **Progressive start-up valve (AP - APW)**



- ▶ Progressive start-up valve
- ▶ Available in 4 sizes with flow rates up to 15000 NI/min and connections from 1/8" to 1"
- ▶ Suitable for downstream system gradual pressurization
- ▶ Downstream circuit filling time regulated via a built in flow regulator
- ▶ Full pressure is allowed once the down stream circuit pressure reaches 50% of the inlet pressure
- ▶ ATEX certification (II 2GD or II 3GD)

2

AIR TREATMENT



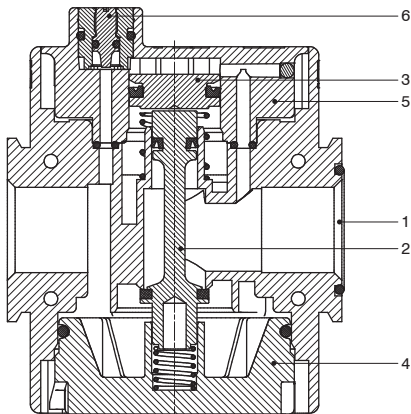
Technical characteristics		Size	Size 1	Size 2	Size 3	Size 4
Body and connections type		Technopolymer body, integrated technopolymer connections (T version) Technopolymer body, metal connections (N version)				/
		/		Aluminium body, integrated aluminium connections (P version)		
IN / OUT connections	T version	G1/4"		G3/8"		G1/2"
	N version	G1/8" - G1/4" - 1/4" NPT		G3/8" - G1/4" - 3/8" NPT		G3/8" - G1/2" - 1/2" NPT
	P version	not available		G3/8"		G1/2"
Assembly configuration		Stand alone /				Panel mounted
Assembly positions		Indifferent				
Max. fittings torque IN / OUT connections		G1/8" metal: 15Nm G1/4" metal: 20Nm G1/4" technopolymer: 9Nm		G1/4" metal: 20Nm G3/8" metal: 25Nm G3/8" technopolymer: 16Nm		G3/8" metal: 25Nm G1/2" metal: 30Nm G1/2" technopolymer: 22Nm G1" metal: 35Nm

Operational characteristics		Size	Size 1	Size 2	Size 3	Size 4
Maximum working pressure		13 bar				10 bar
Minimum working pressure		2,5 bar				
Working temperature		-5°C +50°C				
Nominal flow rate at 6 bar with Δp=1 (from 1 to 2)		1400 NI/min		2200 NI/min	3600 NI/min	15000 NI/min
Fully open flow control device maximum flow rate		75 NI/min		200 NI/min	200 NI/min	1000 NI/min

Weights					
	Size	Size 1	Size 2	Size 3	Size 4
Technopolymer body version		80 g	150 g	240 g	/
Aluminium body version		/	235 g	370 g	1100 g

Materials

Exploded sectioned



Progressive start-up valve

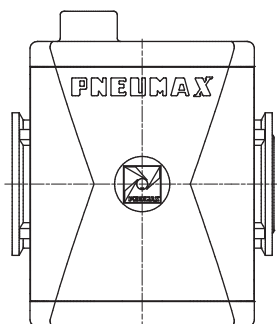
1	Body	Polyamide Die-cast aluminium
2	Drive pin	Aluminium
3	Piston	Aluminium
4	Rear end cap	Polyamide / Die-cast aluminium
5	Central support	Polyamide / Aluminium
6	Modulating needle	Brass

2

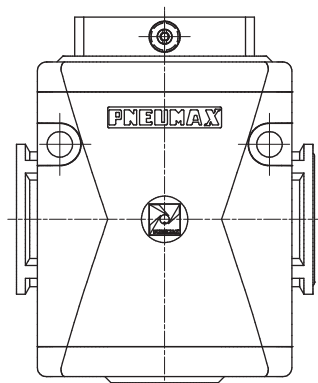
AIR TREATMENT

Design

Size 1 - Size 2 - Size 3



Size 4





Order codes

T 17 3B AP

Version
N : Technopolymer body and metal inserts (not available for size 4)
T : Technopolymer body and thread (not available for size 4)
P : Aluminum body (not available for size 1)

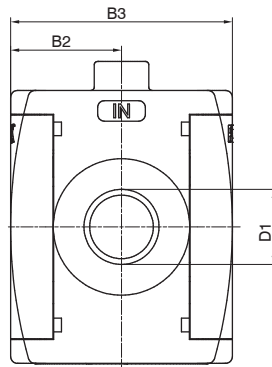
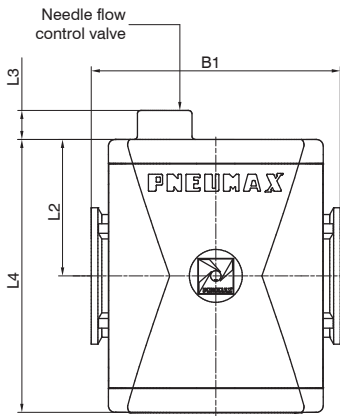
Size and connections
1A : Size 1 - G1/8" only for N version
1B : Size 1 - G1/4" only for T - N versions
1C : Size 1 - 1/4" NPT only for N version
2A : Size 2 - G1/4" only for N version
2B : Size 2 - G3/8" for all versions
2C : Size 2 - 3/8" NPT only for N version
3A : Size 3 - G3/8" only for N version
3B : Size 3 - G1/2" for all versions
3C : Size 3 - 1/2" NPT only for N version
4B : Size 4 - G1" only for P version

Flow direction (only for size 4)
: : From left to right
W : From right to left

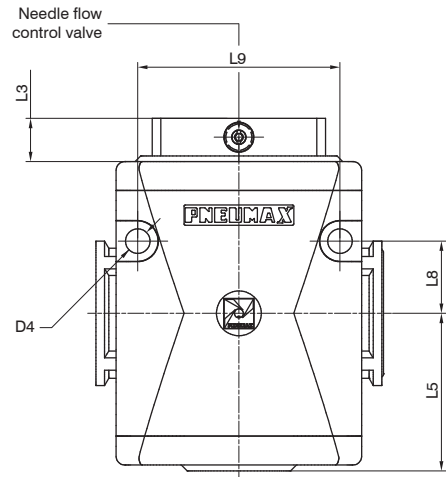
Example : T173BAP : Size 3 progressive start-up valve G1/2"

2 AIR TREATMENT

Dimensions



Fixing holes dimension detail (only for size 4)



Model	B1	B2	B3	D1	D4	L2	L3	L4	L5	L8	L9
#171..	48	21	42	G1/8" G1/4"	/	27,5	12	55	/	/	/
#172..	62	28,5	57	G1/4" G3/8"	/	34	9,2	68	/	/	/
#173..	73	32,5	65	G3/8" G1/2"	/	40	8,7	80	/	/	/
#174..	99	44	88	G1"	8,5	52,5	13	105	54,5	25	70