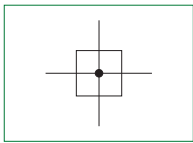


Air intake (PA)



- ▶ Pneumatic by-pass
- ▶ Available with 2 threaded connections
- ▶ Atex certification (II 2GD or II 3GD)



2
AIR TREATMENT

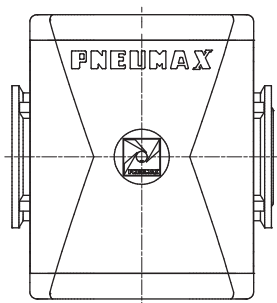
Technical characteristics		Size	Size 1	Size 2	Size 3	Size 4
Body and connections type			Technopolymer body, integrated technopolymer connections (T version) Technopolymer body, metal connections (N version)			/
			Aluminium body, integrated aluminium connections (P version)			/
IN / OUT / INTAKE connections	T version		G1/4"	G3/8"	G1/2"	not available
	N version		G1/8" - G1/4" - 1/4" NPT	G3/8" - G1/4" - 3/8" NPT	G3/8" - G1/2" - 1/2" NPT	
	P version		not available	G3/8"	G1/2"	G1"
Assembly configuration			Stand alone /			Panel mounted
Assembly positions			Indifferent			
Max. fittings torque IN / OUT / INTAKE connections			G1/8" metal: 15Nm G1/4" metal: 20Nm G1/4" technopolymer: 9Nm	G1/4" metal: 20Nm G3/8" metal: 25Nm G3/8" technopolymer: 16Nm	G3/8" metal: 25Nm G1/2" metal: 30Nm G1/2" technopolymer: 22Nm	G1" metal: 35Nm

Operational characteristics		Size	Size 1	Size 2	Size 3	Size 4
Maximum working pressure			13 bar			20 bar
Working temperature			-5°C +50°C			-30°C +80°C (only for P version)

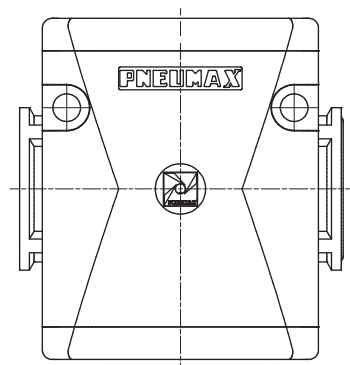
Weights		Size	Size 1	Size 2	Size 3	Size 4
Technopolymer body version			52 g	95,5 g	151 g	/
Aluminium body version			/	248 g	370 g	720 g

Design

Size 1 - Size 2 - Size 3



Size 4





Order codes

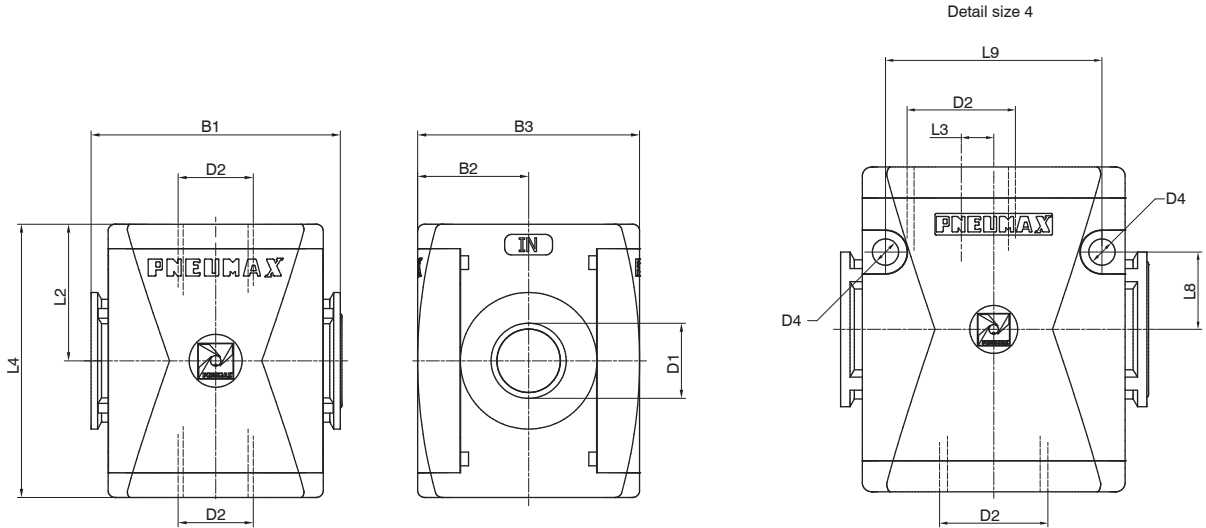
T 17 3B PA

Version
N : Technopolymer body and metal inserts (not available for size 4)
T : Technopolymer body and thread (not available for size 4)
P : Aluminium body (not available for size 1)

Size and connections
1A : Size 1 - G1/8" only for N version
1B : Size 1 - G1/4" only for T - N versions
1C : Size 1 - 1/4" NPT only for N version
2A : Size 2 - G1/4" only for N version
2B : Size 2 - G3/8" for all versions
2C : Size 2 - 3/8" NPT only for N version
3A : Size 3 - G3/8" only for N version
3B : Size 3 - G1/2" for all versions
3C : Size 3 - 1/2" NPT only for N version
4B : Size 4 - G1" only for P version

Example : T173BPA : Size 3 air intake G1/2"

Dimensions



Model	B1	B2	B3	D1	D2	D4	L2	L3	L4	L8	L9
#171..	48	21	42	G1/8" G1/4" 1/4" NPT		/	27,5	/	55	/	/
#172..	62	28,5	57	G3/8" G1/4" 3/8" NPT		/	34	/	68	/	/
#173..	73	32,5	65	G3/8" G1/2" 1/2" NPT		/	40	/	80	/	/
#174..	99	44	88	G1"		8,5	52,5	10,5	105	25	70