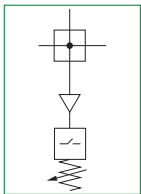


► Pressure switch (PP)



- 2 to 10 bar adjustable pressure switch with electrical connection
- The electrical connection is made by mean of a 15 mm connector (DIN 43650 type C)
- The microswitch contact could be normally closed or open (change overswitch)



Technical characteristics		Size	Size 1	Size 2	Size 3	Size 4
<b>Body and connections type</b>			Technopolymer body, integrated technopolymer connections (T version) Technopolymer body, metal connections (N version)		/	
			/	Aluminium body, integrated aluminium connections (P version)		/
<b>IN / OUT / INTAKE connections</b>	<b>T version</b>		G1/4"	G3/8"	G1/2"	not available
	<b>N version</b>		G1/8" - G1/4" - 1/4" NPT	G3/8" - G1/4" - 3/8" NPT	G3/8" - G1/2" - 1/2" NPT	
	<b>P version</b>		not available	G3/8"	G1/2"	G1"
<b>Assembly configuration</b>			Stand alone /		Panel mounted	
<b>Assembly positions</b>			Indifferent			
<b>Microswitch capacity</b>			1A			
<b>Microswitch maximum tension</b>			250 VAC			
<b>Microswitch IP Rating</b>			IP65 (with connector installed)			
<b>Max. fitting torque IN / OUT / INTAKE connections</b>			G1/8" metal: 15Nm G1/4" metal: 20Nm G1/4" technopolymer: 9Nm	G1/4" metal: 20Nm G3/8" metal: 25Nm G3/8" technopolymer: 16Nm	G3/8" metal: 25Nm G1/2" metal: 30Nm G1/2" technopolymer: 22Nm	G1" metal: 35Nm

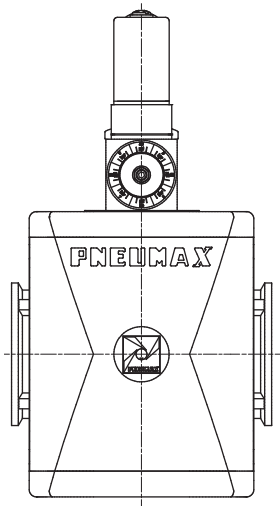
Operational characteristics		Size	Size 1	Size 2	Size 3	Size 4
<b>Maximum working pressure</b>			13 bar			
<b>Working temperature</b>			-5°C +50°C			
<b>Operating pressure range</b>			2 - 10 bar			



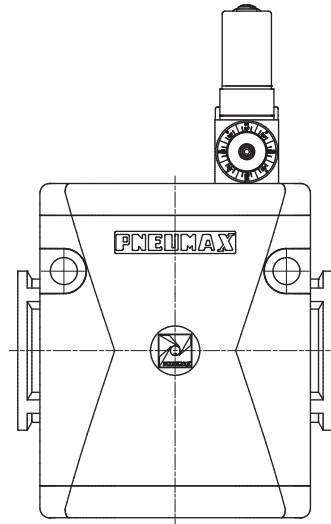
Weights					
	Size	Size 1	Size 2	Size 3	Size 4
Technopolymer body version		138 g	179 g	235 g	/
Aluminium body version		/	330 g	780 g	800 g

**Design**

Size 1 - Size 2 - Size 3



Size 4



2  
AIR TREATMENT

**Order codes**

T 17 3B PP

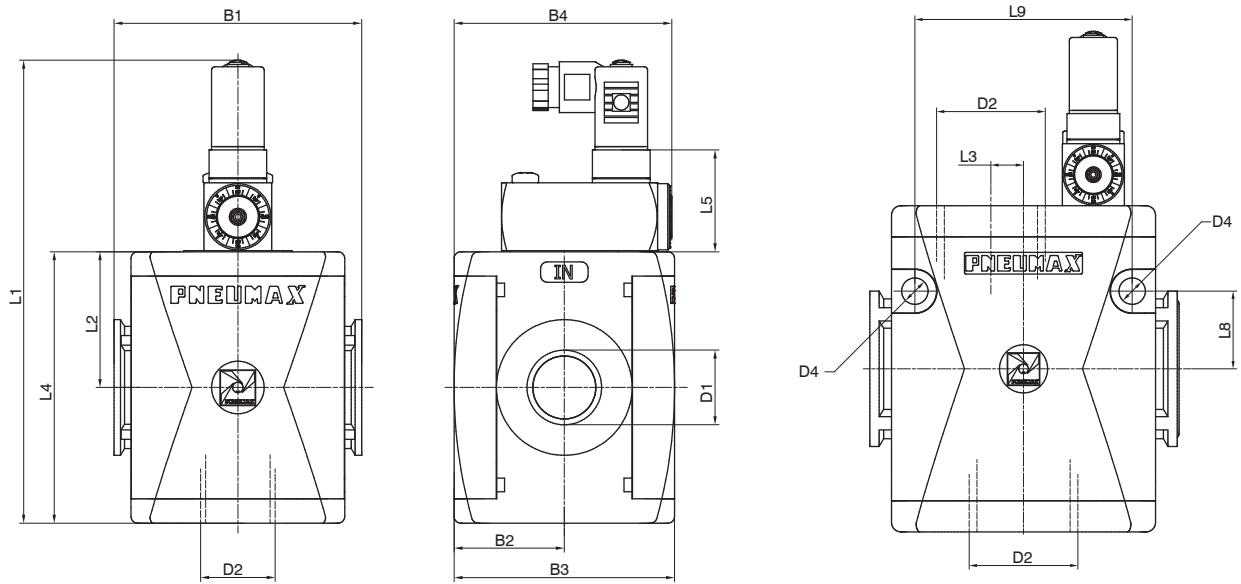
Version
<b>N</b> : Technopolymer body and metal inserts (not available for size 4)
<b>T</b> : Technopolymer body and thread (not available for size 4)
<b>P</b> : Aluminum body (not available for size 1)

Size and connections
<b>1A</b> : Size 1 - G1/8" only for N version
<b>1B</b> : Size 1 - G1/4" only for T - N versions
<b>1C</b> : Size 1 - 1/4" NPT only for N version
<b>2A</b> : Size 2 - G1/4" only for N version
<b>2B</b> : Size 2 - G3/8" for all versions
<b>2C</b> : Size 2 - 3/8" NPT only for N version
<b>3A</b> : Size 3 - G3/8" only for N version
<b>3B</b> : Size 3 - G1/2" for all versions
<b>3C</b> : Size 3 - 1/2" NPT only for N version
<b>4B</b> : Size 4 - G1" only for P version

Flow direction (only for P version)
<b>:</b> : From left to right
<b>W</b> : From right to left

**Example : T173BPP** : Size 3 pressure switch G1/2"

Dimensions



Model	B1	B2	B3	D1	D2	D4	L1	L2	L3	L4	L5	L8	L9
#171..	48	21	42	G1/8" G1/4" 1/4" NPT	/	/	114,7	27,5	/	55	32,7	/	/
#172..	62	28,5	57	G3/8" G1/4" 3/8" NPT	/	/	125	34	/	68	30	/	/
#173..	73	32,5	65	G3/8" G1/2" 1/2" NPT	/	/	137	40	/	80	30	/	/
#174..	99	44	88	G1"	8,5	162	52,5	10,5	105	30	25	70	

Electrical connection

- 1 = neutral
- 2 = N.C. contact
- 3 = N.O. contact

