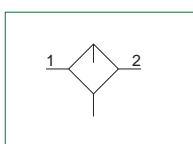




Lubricators (L)



- ▶ Oil mist lubricator
- ▶ Available in 4 sizes with flow rates up to 16000 NI/min and connections from 1/8" to 1"
- ▶ Bowl assembly via bayonet type quick coupling mechanism with safety button
- ▶ Variable orifice size in function of the flow rate
- ▶ Oil quantity regulation mechanism and oil quantity visualization dome made of polycarbonate (PC)
- ▶ Oil refill plug
- ▶ Lubricator oil recharge with pressurized system
- ▶ Available with low level electrical sensor NO and NC
- ▶ Atex certification (II 2GD or II 3GD)



2

AIR TREATMENT

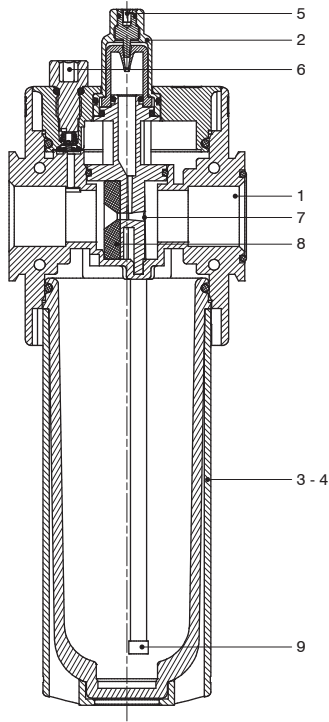
Technical characteristics		Size	Size 1	Size 2	Size 3	Size 4
Body and connections type		Technopolymer body, integrated technopolymer connections (T version) Technopolymer body, metal connections (N version)				/
		/		Aluminium body, integrated aluminium connections (P version)		
Protection and bowl type		Technopolymer protection - PC bowl Technopolymer protection - PA bowl			Metal protection - PC bowl Metal protection - PA bowl	
IN / OUT connections	T version	G1/4"		G3/8"	G1/2"	non disponibile
	N version	G1/8" - G1/4" - 1/4" NPT		G3/8" - G1/4" - 3/8" NPT	G3/8" - G1/2" - 1/2" NPT	
	P version	not available		G3/8"	G1/2"	G1"
Assembly configuration		Stand alone /				Panel mounted
Assembly positions		Vertical ±5°				
Bowl capacity		36 cm³		70 cm³	136 cm³	360 cm³
Lubrication type		Oil mist lubrication				
Oil level regulation		Manual, complete with visual indicator				
Max. fittings torque IN / OUT connections		G1/8" metal: 15Nm G1/4" metal: 20Nm G1/4" technopolymer: 9Nm		G1/4" metal: 20Nm G3/8" metal: 25Nm G3/8" technopolymer: 16Nm	G3/8" metal: 25Nm G1/2" metal: 30Nm G1/2" technopolymer: 22Nm	G1" metal: 35Nm

Operational characteristics		Size	Size 1	Size 2	Size 3	Size 4
Maximum working pressure		13 bar				
Minimum working pressure		0,5 bar				
Min. operational flow at 6,3 bar		40 NI/min		70 NI/min	100 NI/min	100 NI/min
Indicative oil drop rate		1 drope every 300/600 NI/min				
Oil type		FD22 - HG32				
Working temperature		-5°C +50°C				

Weights				
Size	Size 1	Size 2	Size 3	Size 4
Fully technopolymer version	121 g	215 g	347 g	/
Technopolymer body version, aluminium bowl protection and technopolymer bowl	/	245 g	383 g	/
Aluminium body version, technopolymer protection and bowl	/	315 g	477 g	1032 g
Aluminium body version, aluminium bowl protection and technopolymer bowl	/	345 g	513 g	1077 g

Materials

Exploded sectioned

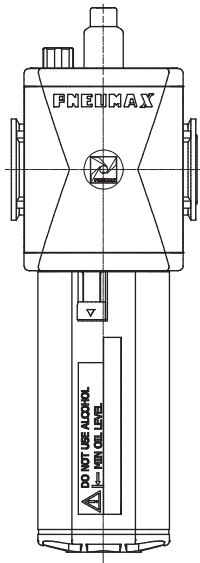


Lubricator		
1	Body	Polyamide Die-cast aluminium
2	Visual indicator	Polyamide
3	Technopolymer bowl	Polycarbonate Polyamide
4	Bowl protection	Polyamide - Die-cast aluminium
5	Oil regulation needle	Brass
6	Recharge plug	Acetal resin
7	Diaphragm support	Acetal resin
8	Diaphragm	NBR
9	Filter	Sintered brass

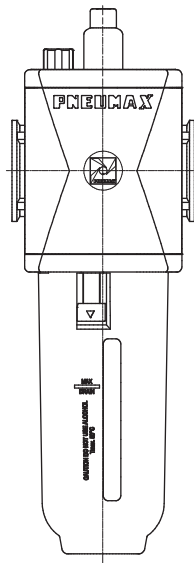
2
AIR TREATMENT

Design

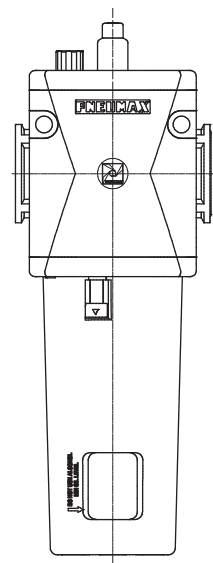
Size 1 - Size 2 - Size 3
Technopolymer protection



Size 1 - Size 2 - Size 3
Metal protection



Size 4
All versions



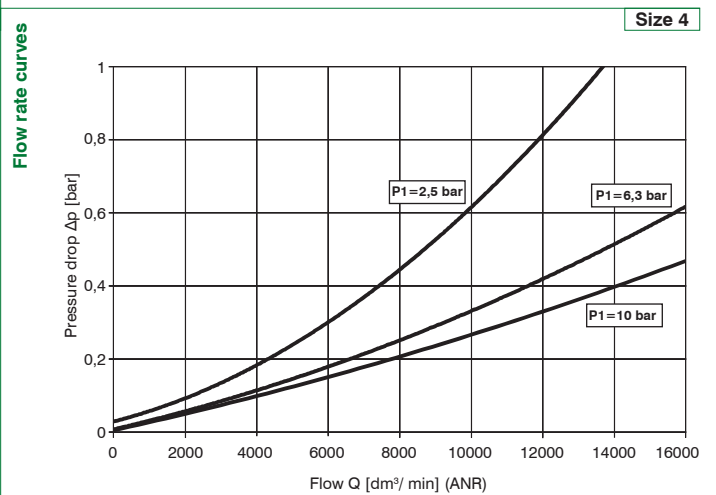
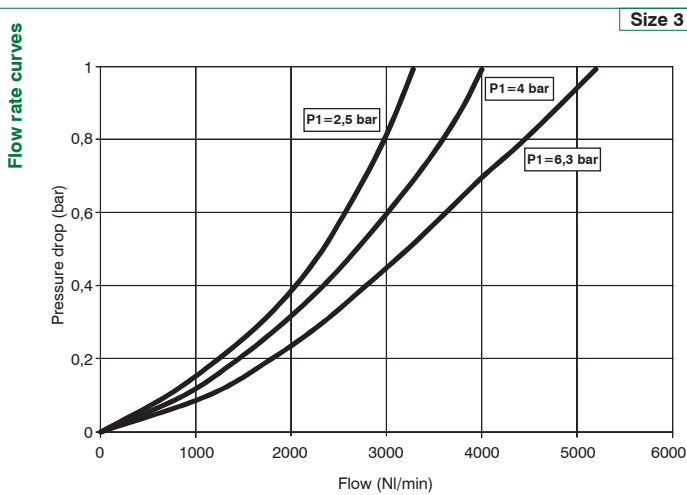
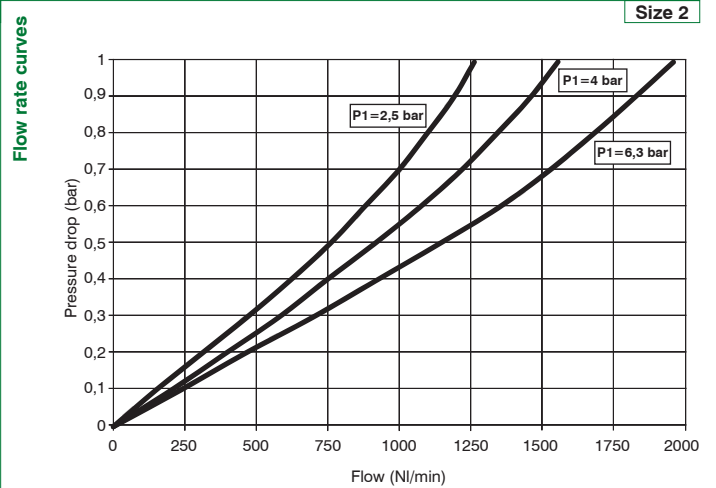
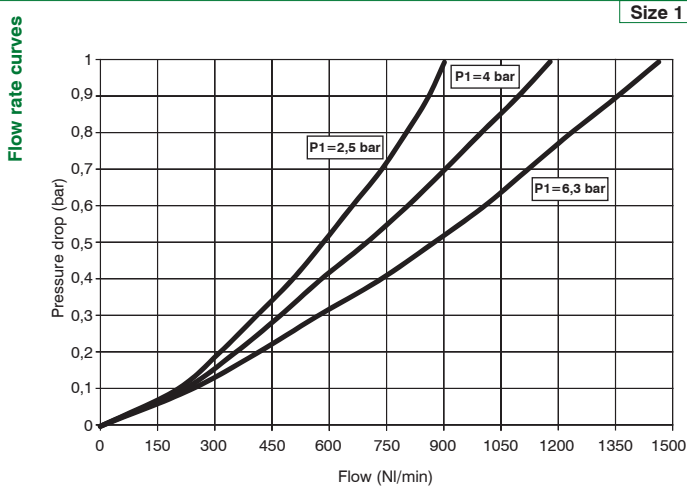


Order codes

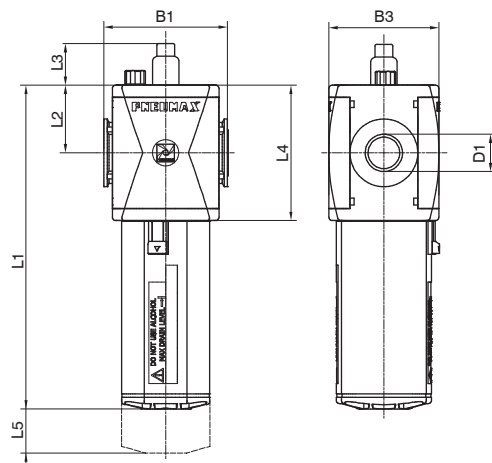
	T	17	3B	L	A	N
Version						
N : Technopolymer body and metal inserts (not available for size 4)						
T : Technopolymer body and thread (not available for size 4)						
P : Aluminium body (not available for size 1)						
Size and connections						
1A : Size 1 - G1/8" only for N version						
1B : Size 1 - G1/4" only for T - N versions						
1C : Size 1 - 1/4" NPT only for N version						
2A : Size 2 - G1/4" only for N version						
2B : Size 2 - G3/8" for all versions						
2C : Size 2 - 3/8" NPT only for N version						
3A : Size 3 - G3/8" only for N version						
3B : Size 3 - G1/2" for all versions						
3C : Size 3 - 1/2" NPT only for N version						
4B : Size 4 - G1" only for P version						
Options						
: No electric level sensor device						
A : Electrical minimum level sensor NO (not available for size 1)						
C : Electrical minimum level sensor NC (not available for size 1)						
Bowl options						
: Technopolymer protection - PC bowl						
N : Technopolymer protection - PA bowl						
P : Metal protection - PC bowl (not available for size 1)						
R : Metal protection - PA bowl (not available for size 1)						

Example : T173BLAN : Size 3 lubricator G1/2", normally open low level electrical sensor, PA bowl with technopolymer protection

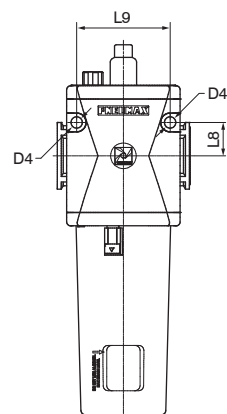
Characteristic curves



Dimensions

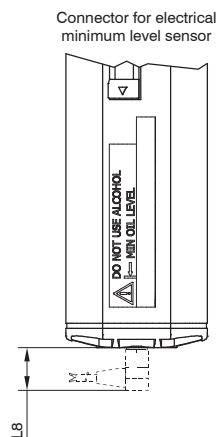


Fixing holes dimension detail
(only for size 4)



Model	B1	B3	D1	D4	L1	L2	L3	L4	L5	L8	L9
#171..	48	42	G1/8" G1/4" 1/4" NPT	/	131	27,5	24	55	80	/	/
#172..	62	57	G1/4" G3/8" 3/8" NPT	/	152.7	34	24	68	90	/	/
#173..	73	65	G3/8" G1/2" 1/2" NPT	/	191.4	40	24	80	120	/	/
#174..	99	88	G1"	8,5	247	52,5	24	105	145	25	70

Variable dimensions



Model	L8	Connectors for electrical connection
Electrical minimum level sensor NO	16	C1 - C2 - C3 (see sensors section of general catalog)
Electrical minimum level sensor NC		

Accessories

Electrical connection details

C1 : connector with 2,5 m cable 2 wires (PVC Ø3,5 mm 2x0,25mm²)

C2 : connector with 5 m cable 2 wires (PVC Ø3,5 mm 2x0,25mm²)

C3 : connector with 10 m cable 2 wires (PVC Ø3,5 mm 2x0,25mm²)

