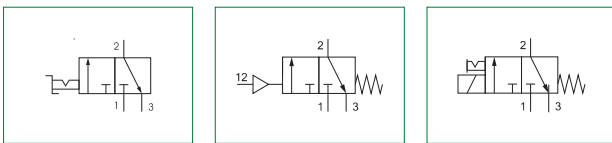


Shut off valves (VL - VP - VE)


- ▶ 3/2 N.C. shut off valve
- ▶ Suitable for system downstream pneumatic feeding or exhaust
- ▶ Manual, pneumatic and electropneumatic operation available
- ▶ Up to 3off manual operation lockable device available (closed position)
- ▶ Atex certification (II 2GD or II 3GD)

AIR TREATMENT
2


Technical characteristics					
Size		Size 1	Size 2	Size 3	Size 4
Body and connections type		Technopolymer body, integrated technopolymer connections (T version) Technopolymer body, metal connections (N version)			/
		/	Aluminium body, integrated aluminium connections (P version)		/
Operated type		Manual Pneumatic Electropneumatic			
IN / OUT connections	T version	G1/4"	G3/8"	G1/2"	not available
	N version	G1/8" - G1/4" - 1/4" NPT	G3/8" - G1/4" - 3/8" NPT	G3/8" - G1/2" - 1/2" NPT	
	P and L version	not available	G3/8"	G1/2"	
Pilot connection		G1/8"			
Exhaust connection		G1/4"	G3/8"	G1/2"	
Assembly configuration		Stand alone /			Panel mounted
Assembly positions		Indifferent			
Max. fittings torque IN / OUT connections		G1/8" metal: 15Nm G1/4" metal: 20Nm G1/4" technopolymer: 9Nm	G1/4" metal: 20Nm G3/8" metal: 25Nm G3/8" technopolymer: 16Nm	G3/8" metal: 25Nm G1/2" metal: 30Nm G1/2" technopolymer: 22Nm	G1/2" metal: 30Nm G1" metal: 35Nm

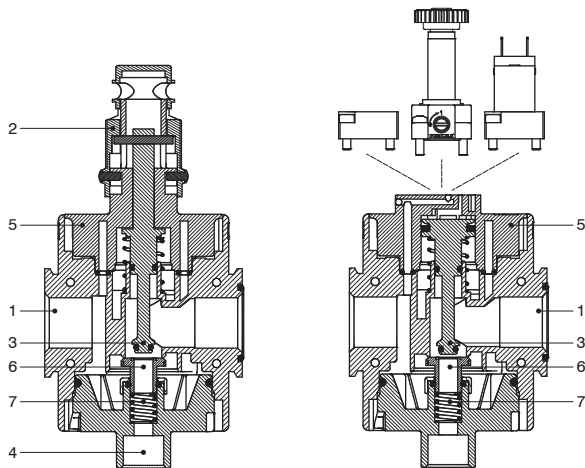
Operational characteristics								
Size	Size 1	Size 2	Size 3	Size 4	Size 1	Size 2	Size 3	Size 4
Operator	Manual				Pneumatic / Solenoid			
Maximum working pressure	13 bar			10 bar	10 bar			
Minimum working pressure	0,5 bar				2,5 bar			
Working temperature	-5°C +50°C				-5°C +50°C			
	-30°C +80°C (only for P version) -40°C +80°C (only for L version)				-30°C +80°C (only with metal body and pneumatic version) -40°C +80°C (only with metal body and pneumatic version)			
Nominal flow rate at 6 bar with Δp=1 (from 1 to 2)	1400 NI/min	2200 NI/min	3600 NI/min	15000 NI/min	1400 NI/min	2200 NI/min	3600 NI/min	15000 NI/min
Exhaust nominal flow rate at 6 bar with Δp=1 (from 2 to 3)	550 NI/min	1500 NI/min		3600 NI/min	550 NI/min	1500 NI/min		3600 NI/min
Un-conveyed exhaust nominal flow rate (from 2 to 3)	1000 NI/min	2500 NI/min		5000 NI/min	1000 NI/min	2500 NI/min		5000 NI/min

Weights								
Size Operator	Size 1				Size 2			
	Manual	Pneumatic	Solenoid M2 actuator	Solenoid 15mm coil	Manual	Pneumatic	Solenoid M2 actuator	Solenoid 15mm coil
Technopolymer body version	110 g	99 g	140 g	140 g	190 g	181 g	210 g	216 g
Aluminium body version	/	/	/	/	270 g	265 g	298 g	301 g

Size Operator	Size 3				Size 4			
	Manual	Pneumatic	Solenoid M2 actuator	Solenoid 15mm coil	Manual	Pneumatic	Solenoid M2 actuator	Solenoid 15mm coil
Technopolymer body version	250 g	270 g	310 g	310 g	/	/	/	/
Aluminium body version	400 g	398 g	429 g	432 g	1100 g	1135 g	1170 g	1180 g

Materials

Exploded sectioned



Shut off valve		
1	Body	Polyamide Die-cast aluminium
2	Manual override	Polyamide
3	Drive pin Piston	Aluminium
4	Exhaust plug	Polyamide
5	Central support	Polyamide
6	Spool	Brass + NBR
7	Repositioning spring	Steel

2
AIR TREATMENT

Design

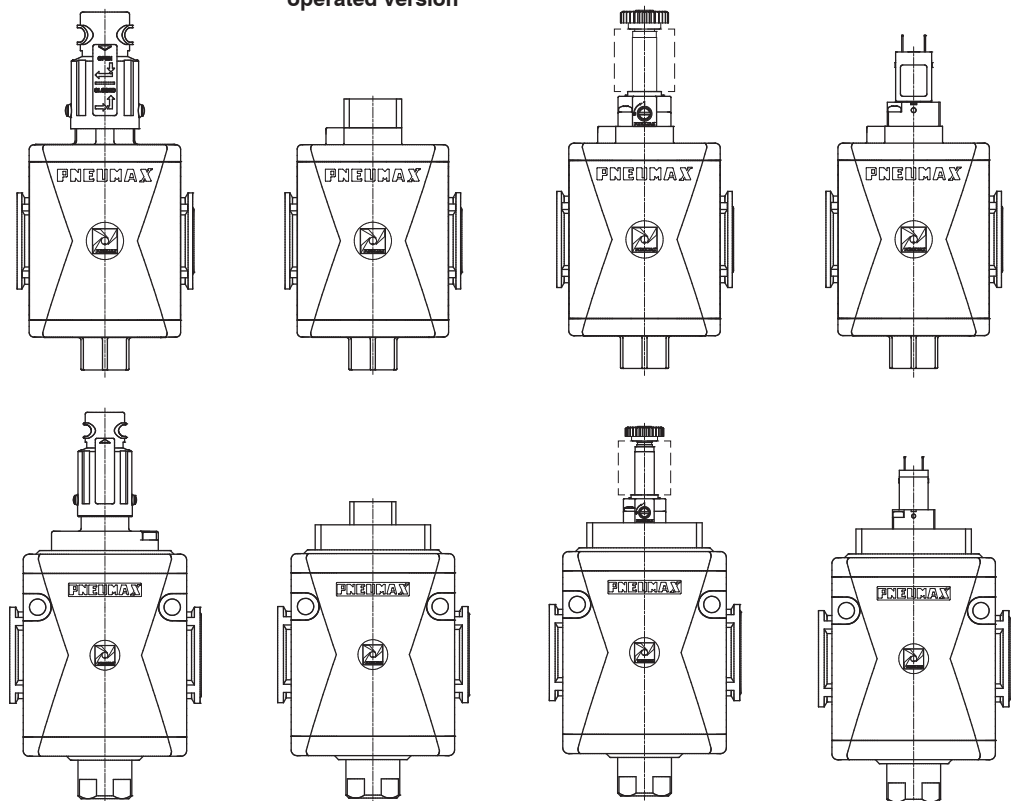
Manual operated version

Pneumatic operated version

Solenoid operated version

Size 1 - Size 2
Size 3

Size 4





Order codes

T 17 3B V E A5

Version
N : Technopolymer body and metal inserts (not available for size 4)
T : Technopolymer body and thread (not available for size 4)
P : Aluminum body (not available for size 1)
L : Aluminium body, low temperature (not available for solenoid version)

Size and connections
1A : Size 1 - G1/8" only for N version
1B : Size 1 - G1/4" only for T - N versions
1C : Size 1 - 1/4" NPT only for N version
2A : Size 2 - G1/4" only for N version
2B : Size 2 - G3/8" for all versions
2C : Size 2 - 3/8" NPT only for N version
3A : Size 3 - G3/8" only for N version
3B : Size 3 - G1/2" for all versions
3C : Size 3 - 1/2" NPT only for N version
4B : Size 4 - G1" only for P - L versions

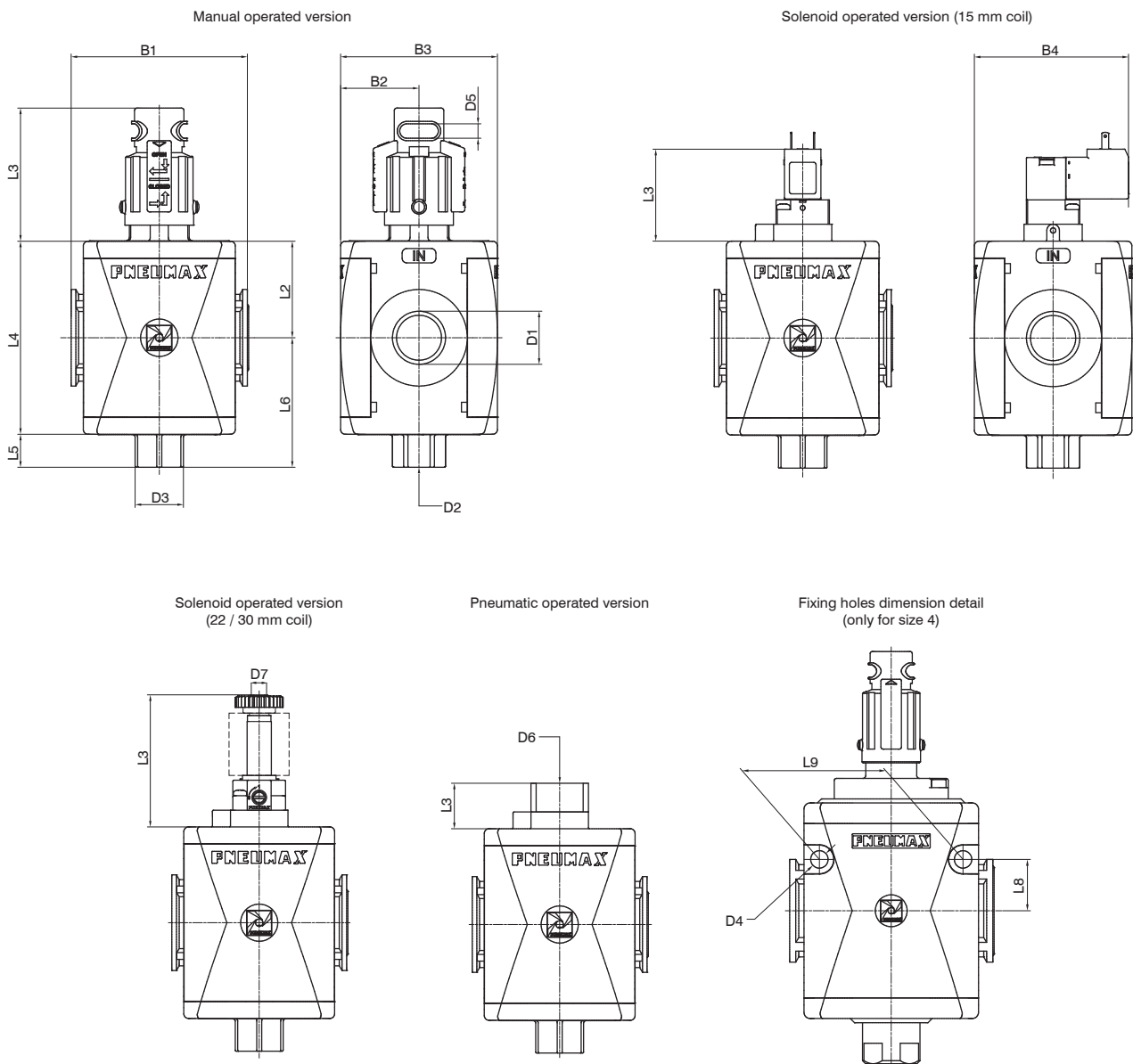
Operator
L : Manual
P : Pneumatic
E : Solenoid

Coil options
15 mm coil
A4 : 12 V DC
A5 : 24 V DC
A6 : 24 V AC (50-60 Hz)
A7 : 110 V AC (50-60 Hz)
A8 : 230 V AC (50-60 Hz)
A9 : 24 V DC (1 Watt)
22 mm coil
B2 : Mechanical M2, without coil
B4 : 12 V DC
B5 : 24 V DC
B6 : 24 V AC (50-60 Hz)
B7 : 110 V AC (50-60 Hz)
B8 : 230 V AC (50-60 Hz)
B9 : 24 V DC (2 Watt) (Atex certification not available)
30 mm coil
C5 : 24 V DC
C6 : 24 V AC (50-60 Hz)
C7 : 110 V AC (50-60 Hz)
C8 : 230 V AC (50-60 Hz)
C9 : 24 V DC (2 Watt) (Atex certification not available)

Example : T173BVEA5 : Size 3 electric shut off valve G1/2", 15 mm coil, 24VDC

2 AIR TREATMENT

Dimensions



2
AIR TREATMENT

Model	B1	B2	B3	B4	D1	D2	D3	D4	D5	D6	D7	L2	L3				L4	L5	L6	L8	L9
													Manual	Pneumatic	Solenoid coil 22 or 30mm	Solenoid 15mm coil					
#171..	48	21	42	52	G1/8" G1/4" 1/4" NPT	G1/4"	Ch.17	/	6	G1/8"	M5	27,5	55	19	57	37,5	55	11	38,5	/	/
#172..	62	28,5	57	59,6	G1/4" G3/8" 3/8" NPT	G3/8"	Ch.20	/	6	G1/8"	M5	34	54,2	22	60	40,3	68	14	48	/	/
#173..	73	32,5	65	63,6	G3/8" G1/2" 1/2" NPT	G3/8"	Ch.20	/	6	G1/8"	M5	40	55	19	57	37,4	80	14	54	/	/
#174..	99	44	88	75	G1"	G1/2"	Ch.25	8,5	6	G1/8"	M5	52,5	71,5	27	67	45,5	105	22	74,5	25	70