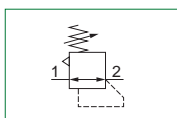




► Regulators (R - RM - RW - RP - RZ)



- Diaphragm pressure regulator with relieving
- Available in 4 sizes with flow rates up to 8000 NI/min and connections from 1/8" to 1"
- Low hysteresis rolling diaphragm and balanced spool
- Available in four pressure ranges up to 12 bar
- Fitted with panel mounting locking ring
- Available with pressure gauge or digital pressure switch integrated
- Atex certification (II 2GD or II 3GD)
- Inlet pressures up to 20 bar



Note

For installations where a more accurate and constant pressure is required, the unit should be installed as close as possible to the point of use.

2

AIR TREATMENT

| Technical characteristics | | Size | Size 1 | Size 2 | Size 3 | Size 4 |
|---|------------------------|---|--------|---|--------|--|
| Body and connections type | | Technopolymer body, integrated technopolymer connections (T version) Technopolymer body, metal connections (N version) | | | | / |
| | | / | | Aluminium body, integrated aluminium connections (P - L versions) | | |
| IN / OUT connections | T version | G1/4" | | G3/8" | | G1/2" |
| | N version | G1/8" - G1/4" - 1/4" NPT | | G3/8" - G1/4" - 3/8" NPT | | G3/8" - G1/2" - 1/2" NPT |
| | P and L version | not available | | G3/8" - 1/4" NPT | | G1/2" - 1/2" NPT |
| Assembly configuration | | Stand alone Panel mounting With fixing bracket / | | | | Panel mounted |
| Assembly positions | | Indifferent | | | | |
| Pressure range | | 0-2 bar 0-4 bar 0-8 bar 0-12 bar (P2 max 10 Bar in case of digital pressure switch selection) | | | | |
| Regulation | | Manul push and lock with pressure Manual lockable with accessories | | | | |
| Pressure measurement | | G1/8" - 1/8" NPT pressure gauge connection port (only for versions with IN / OUT NPT connections) Integrated pressure gauge (optional) Digital pressure switch (optional) | | | | |
| Max. fittings torque IN / OUT connections | | G1/8" metal: 15Nm G1/4" metal: 20Nm G1/4" technopolymer: 9Nm | | G1/4" metal: 20Nm G3/8" metal: 25Nm G3/8" technopolymer: 16Nm | | G3/8" metal: 25Nm G1/2" metal: 30Nm G1/2" technopolymer: 22Nm G1" metal: 35Nm |
| Max. fitting torque pressure gauge connection port | | G1/8" technopolymer: 4Nm G1/8" metal: 15Nm | | | | |

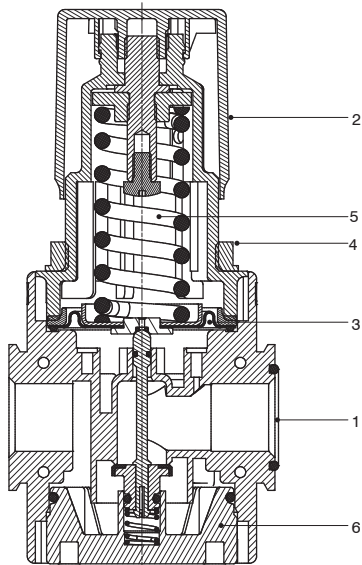
| Operational characteristics | | Size | Size 1 | Size 2 | Size 3 | Size 4 |
|---|--|------------|--------|--------|--|--------|
| Maximum working pressure | | 13 bar | | | 20 bar (only for P - L versions) | |
| Minimum working pressure | | 0,5 bar | | | | |
| Working temperature | | -5°C +50°C | | | -30°C +80°C (only for P version) -40°C +80°C (only for L version) | |
| Working temperature with digital pressure switch | | 0°C +50°C | | | | |



| Weights | | | | | |
|----------------------------|------|--------|--------|--------|--------|
| | Size | Size 1 | Size 2 | Size 3 | Size 4 |
| Technopolymer body version | | 150 g | 310 g | 390 g | / |
| Aluminium body version | | / | 400 g | 560 g | 1260 g |

Materials

Exploded sectioned



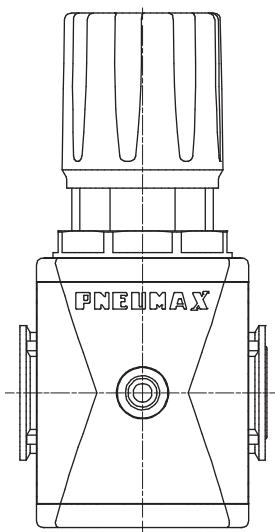
| Regulator | | |
|-----------|-----------------------------|---------------------------------|
| 1 | Body | Polyamide Die-cast aluminium |
| 2 | Adjusting knob | Polyamide |
| 3 | Diaphragm | NBR |
| 4 | Panel mounting locking ring | Polyamide |
| 5 | Adjusting spring | Steel |
| 6 | Rear end cap | Polyamide / Die-cast aluminium |

2

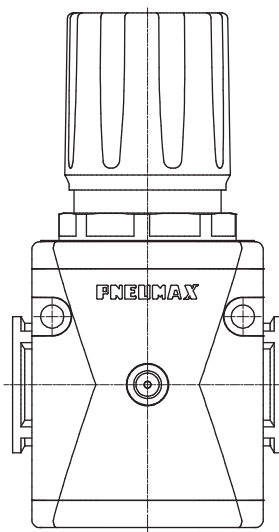
AIR TREATMENT

Design

Size 1 - Size 2 - Size 3



Size 4
All versions





Order codes

| | | | | | | | | | |
|--|---|----|----|---|---|---|--|--|--|
| | T | 17 | 3B | R | M | D | | | |
| Version | | | | | | | | | |
| N : Technopolymer body and metal inserts (not available for size 4) | | | | | | | | | |
| T : Technopolymer body and thread (not available for size 4) | | | | | | | | | |
| P : Aluminum body (not available for size 1) | | | | | | | | | |
| L : Aluminum body, low temperature (not available for size 1) | | | | | | | | | |
| Size and connections | | | | | | | | | |
| 1A : Size 1 - G1/8" only for N version | | | | | | | | | |
| 1B : Size 1 - G1/4" only for T - N versions | | | | | | | | | |
| 1C : Size 1 - 1/4" NPT only for N version | | | | | | | | | |
| 2A : Size 2 - G1/4" only for N version | | | | | | | | | |
| 2B : Size 2 - G3/8" for all versions | | | | | | | | | |
| 2C : Size 2 - 3/8" NPT only for N version - 1/4" NPT only for P - L versions | | | | | | | | | |
| 3A : Size 3 - G3/8" only for N version | | | | | | | | | |
| 3B : Size 3 - G1/2" for all versions | | | | | | | | | |
| 3C : Size 3 - 1/2" NPT only for N - P - L versions | | | | | | | | | |
| 4B : Size 4 - G1" only for P - L versions | | | | | | | | | |
| 4C : Size 4 - 1" NPT only for P - L versions | | | | | | | | | |
| Pressure measurement options | | | | | | | | | |
| : G1/8" - 1/8" NPT thread | | | | | | | | | |
| M : Integrated pressure gauge | | | | | | | | | |
| W : Integrated pressure gauge Right - Left | | | | | | | | | |
| P : Digital pressure switch | | | | | | | | | |
| Z : Digital pressure switch Right - Left | | | | | | | | | |
| Pressure range | | | | | | | | | |
| A : 0 - 2 bar | | | | | | | | | |
| B : 0 - 4 bar | | | | | | | | | |
| C : 0 - 8 bar | | | | | | | | | |
| D : 0 - 12 bar | | | | | | | | | |
| Relieving options | | | | | | | | | |
| : With relieving | | | | | | | | | |
| F : Controlled refiel and improved relieving (not available for size 4) | | | | | | | | | |
| L : Without relieving | | | | | | | | | |
| R : Improved relieving | | | | | | | | | |
| Knob options | | | | | | | | | |
| : Non-lockable version | | | | | | | | | |
| K : Lockable version | | | | | | | | | |
| U : Lockable version with universal key | | | | | | | | | |
| Digital pressure switch options | | | | | | | | | |
| A : Cable 150 mm + M8 PNP | | | | | | | | | |
| B : Cable 150 mm + M8 NPN | | | | | | | | | |
| C : Cable 2 m PNP | | | | | | | | | |
| D : Cable 2 m NPN | | | | | | | | | |

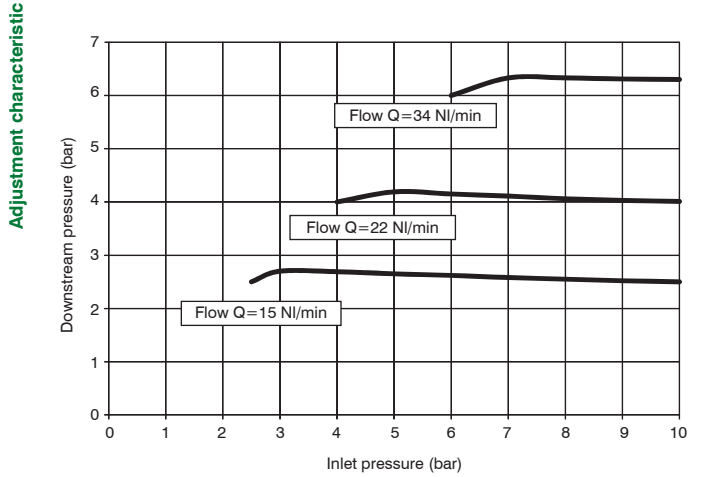
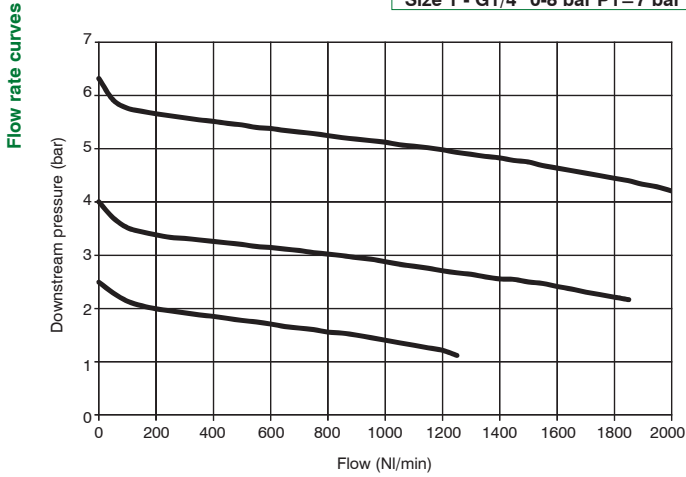
Example : T173BRMD : Size 3 regulator G1/2" 0 - 12 bar



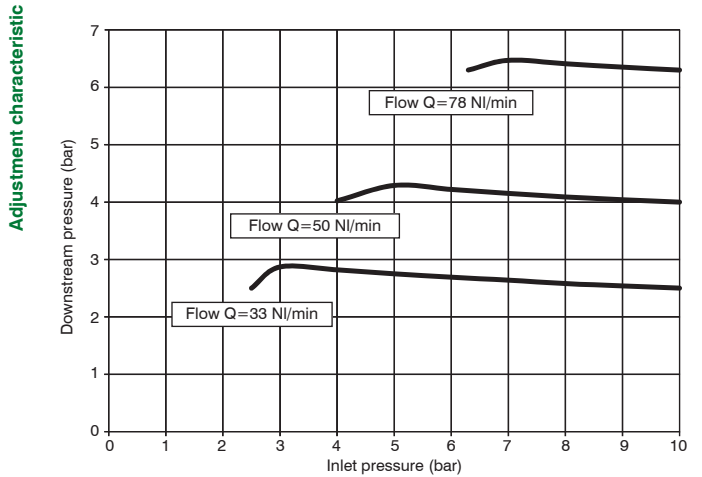
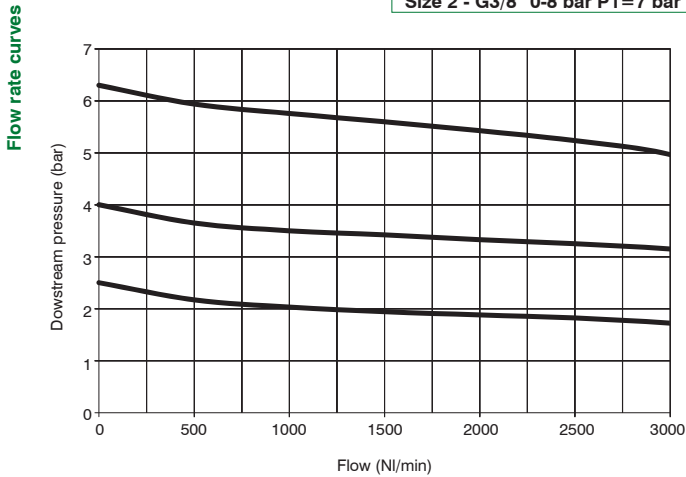
Characteristic curves

2
AIR TREATMENT

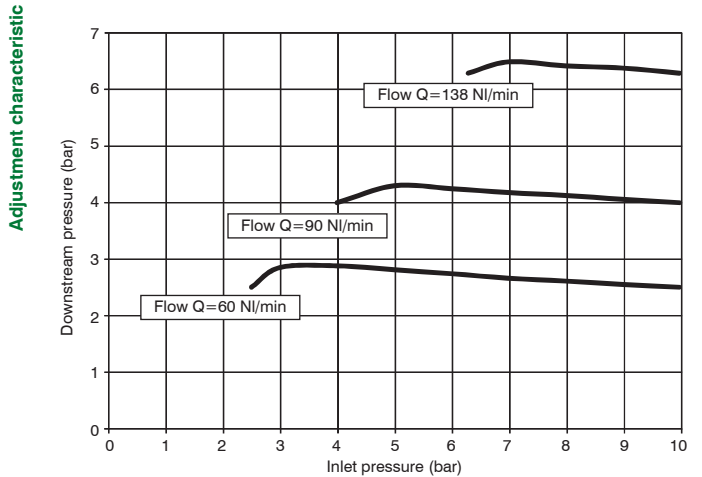
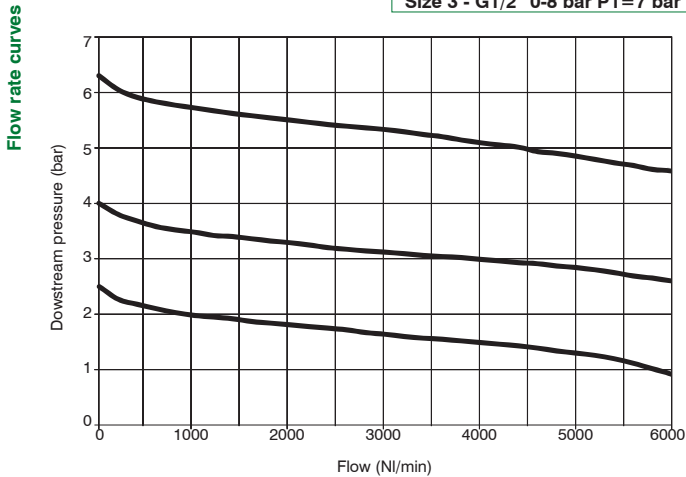
Size 1 - G1/4" 0-8 bar P1=7 bar



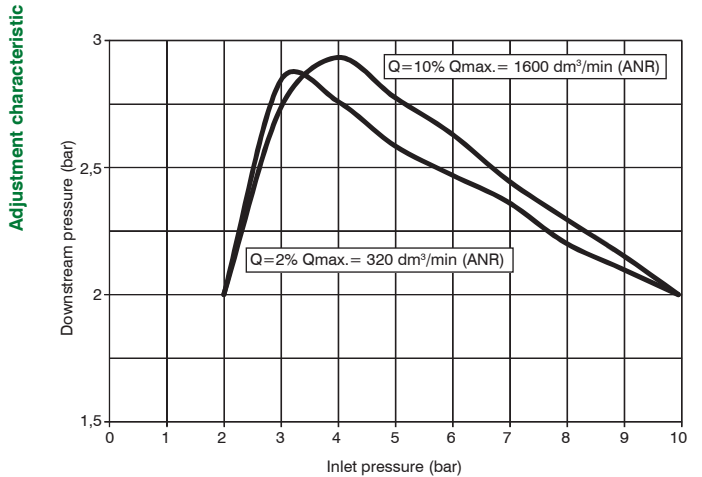
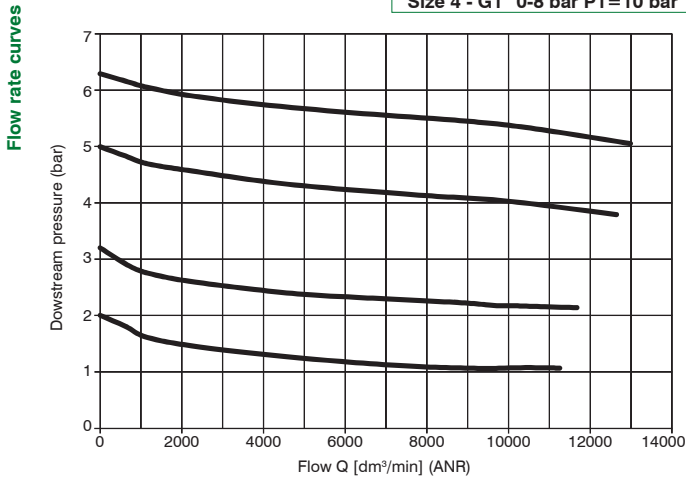
Size 2 - G3/8" 0-8 bar P1=7 bar



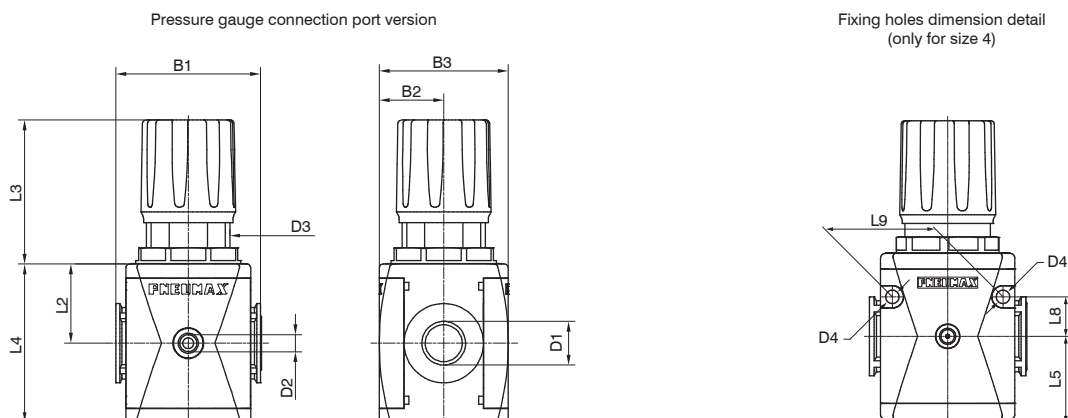
Size 3 - G1/2" 0-8 bar P1=7 bar



Size 4 - G1" 0-8 bar P1=10 bar



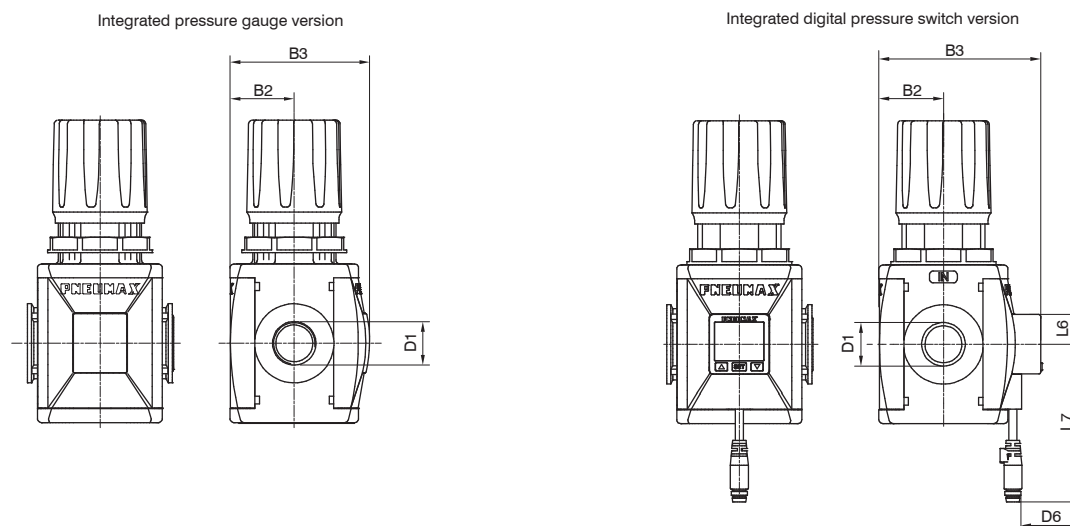
Dimensions



| Model | B1 | B2 | B3 | D1 | D2 | D3 | D4 | L2 | L3 | L4 | L5 | L8 | L9 |
|--------|----|------|----|--|-------------------|---------|-----|------|------|-----|------|----|----|
| #171.. | 48 | 21 | 42 | G1/8" G1/4" 1/4" NPT | G1/8" 1/8" NPT | M30x1,5 | / | 27,5 | 54 | 55 | / | / | / |
| #172.. | 62 | 28,5 | 57 | G1/4" G3/8" 1/4" NPT 3/8" NPT | G1/8" 1/8" NPT | M42x1,5 | / | 34 | 71,8 | 68 | / | / | / |
| #173.. | 73 | 32,5 | 65 | G3/8" G1/2" 1/2" NPT | G1/8" 1/8" NPT | M42x1,5 | / | 40 | 72,8 | 80 | / | / | / |
| #174.. | 99 | 44 | 88 | G1" 1" NPT | G1/8" 1/8" NPT | M54x1,5 | 8,5 | 52,5 | 87,5 | 105 | 54,5 | 25 | 70 |

2
AIR TREATMENT

Variable dimensions

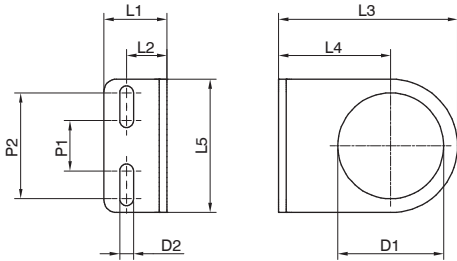


| Model | B2 | B3 | | D1 | D6 - Type of digital pressure switch | | L6 | L7 - Type of digital pressure switch | |
|--------|------|---------------------|------------------------------|--|--------------------------------------|------------------------|----|--------------------------------------|-------|
| | | With pressure gauge | With digital pressure switch | | A - B | C - D | | A - B | C - D |
| #171.. | 21 | 48,5 | 60 | G1/8" G1/4" 1/4" NPT | M8 - 3 PIN | 3 x 0,129 mm, Ø4 mm | 15 | 150 | 2000 |
| #172.. | 28,5 | 62,5 | 73,5 | G1/4" G3/8" 1/4" NPT 3/8" NPT | | | | | |
| #173.. | 32,5 | 70,5 | 81,5 | G3/8" G1/2" 1/2" NPT | | | | | |
| #174.. | 44 | 90,5 | 101,5 | G1" 1" NPT | | | | | |

► **Fixing bracket**

T172 50

| Size |
|------------------------|
| 171 : Size 1 |
| T172 : Size 2 - Size 3 |



2

AIR TREATMENT

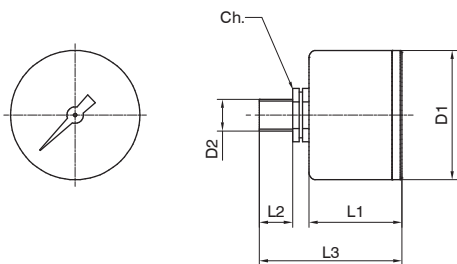
| Model | L1 | L2 | L3 | L4 | L5 | D1 | D2 | P1 | P2 |
|--------|----|----|----|------|----|----|-----|----|----|
| 17150 | 20 | 13 | 50 | 30 | 40 | 30 | 5,5 | 20 | 30 |
| T17250 | 25 | 16 | 71 | 44,5 | 53 | 42 | 5,5 | 20 | 42 |

► **Pressure gauge**

17070 A C

| Version |
|--------------|
| A : Dial Ø40 |
| B : Dial Ø50 |

| Scale |
|----------------|
| A : 0 - 4 bar |
| B : 0 - 6 bar |
| C : 0 - 12 bar |



| Model | L1 | L2 | L3 | D1 | D2 | Ch |
|----------|----|----|----|----|-----------|----|
| 17070A.. | 26 | 10 | 44 | 41 | Gc - 1/8" | 14 |
| 17070B.. | 27 | 10 | 45 | 49 | Gc - 1/8" | 14 |