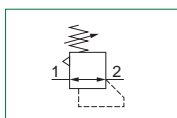


► Pressure regulators for manifold (B - M)



- ▶ Diaphragm pressure regulator with relieving
- ▶ Available with 2 front outputs connections G1/8 " or with 1 front output and integrated pressure gauge on the opposite side
- ▶ Low hysteresis rolling diaphragm and balanced spool
- ▶ Available in four pressure ranges up to 12 bar
- ▶ Fitted with panel mounting locking ring
- ▶ Available with Integrated pressure gauge
- ▶ Air supply can be applied by both directions (Right or Left)
- ▶ Max. 6off pressure regulators in manifold configuration
- ▶ Atex certification (II 3GD)

2



Note
For installations where a more accurate and constant pressure is required, the unit should be installed as close as possible to the point of use.

AIR TREATMENT

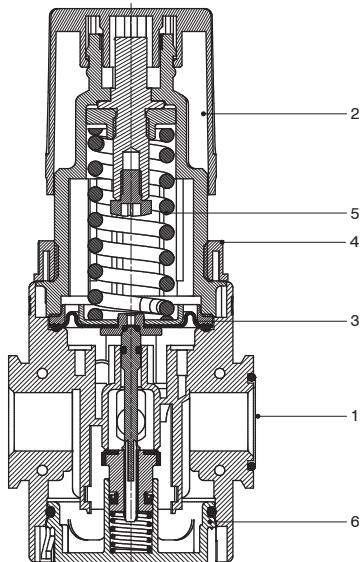
Technical characteristics	
Size	Size 1
Body and connections type	Technopolymer body, integrated technopolymer connections (T version) Technopolymer body, metal connections (N version)
IN connections	T version
	N version
OUT connections	
Assembly configuration	
Assembly positions	
Pressure range	
Regulation	
Pressure measurement	
Max. fittings torque IN / OUT connections	
Max.fitting torque pressure gauge connection port	

Operational characteristics	
Size	Size 1
Maximum working pressure	
Minimum working pressure	
Working temperature	

Weights		
	Size	Size 1
Technopolymer body version		140 g

Materials

Exploded sectioned



Pressure regulator for manifold

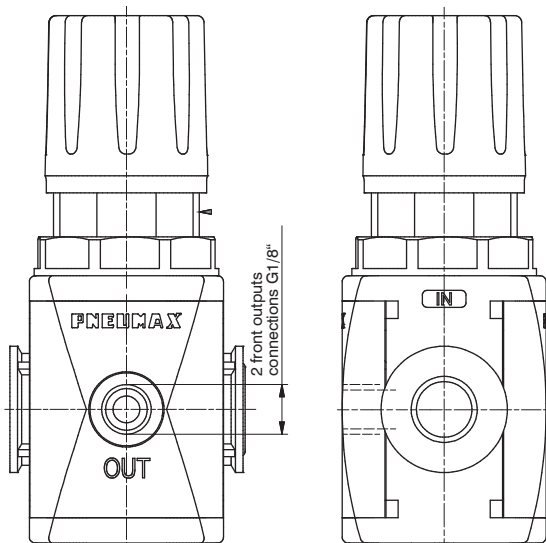
1	Body	Polyamide Die-cast aluminium
2	Adjusting knob	Polyamide
3	Diaphragm	NBR
4	Panel mounting locking ring	Polyamide
5	Adjusting spring	Steel
6	Rear end cap	Polyamide / Die-cast aluminium

2

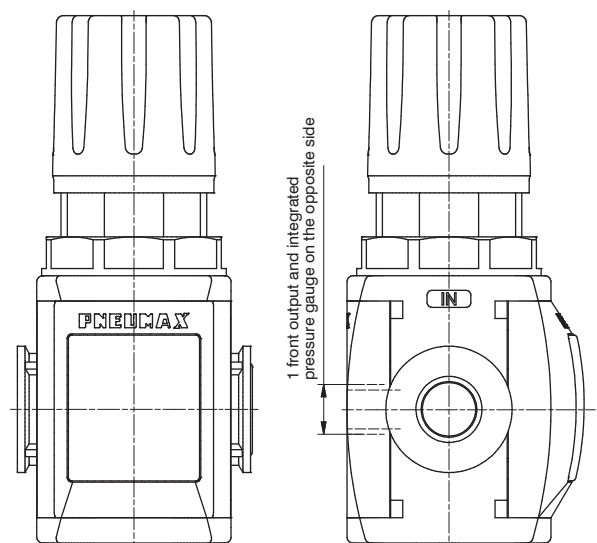
AIR TREATMENT

Design

Pressure gauge connection port version



Integrated pressure gauge version





Order codes

T 17 1B B D

Version
N : Technopolymer body and metal inserts
T : Technopolymer body and thread

Size and connections
1A : Size 1 - G1/8"
1B : Size 1 - G1/4"
1C : Size 1 - 1/4" NPT only for N version

Pressure measurement options
B : G1/8" - 1/8" NPT thread
M : Integrated pressure gauge

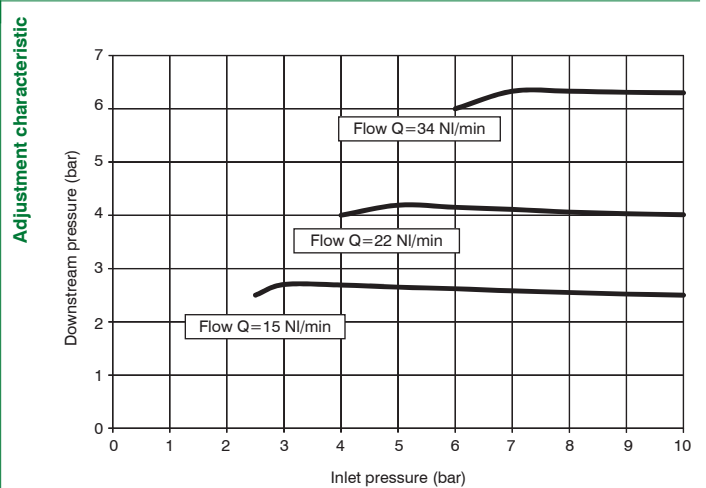
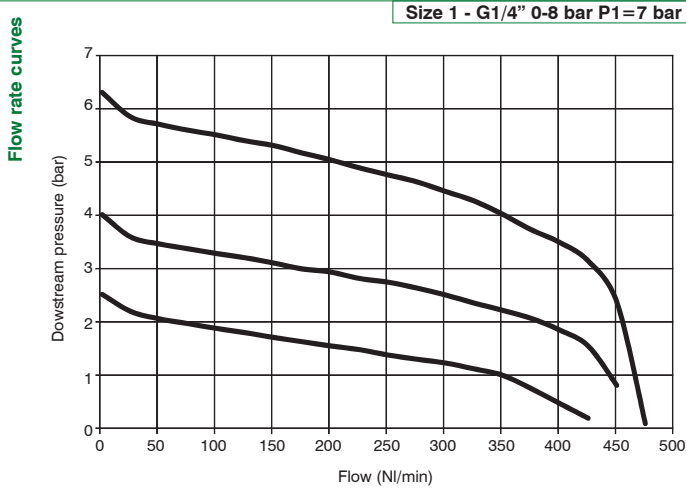
Pressure range
A : 0 - 2 bar
B : 0 - 4 bar
C : 0 - 8 bar
D : 0 - 12 bar

Relieving options
: With relieving
F : Controlled refuel and improved relieving
L : Without relieving
R : Improved relieving

Knob options
: Non-lockable version
K : Lockable version
U : Lockable version with universal key

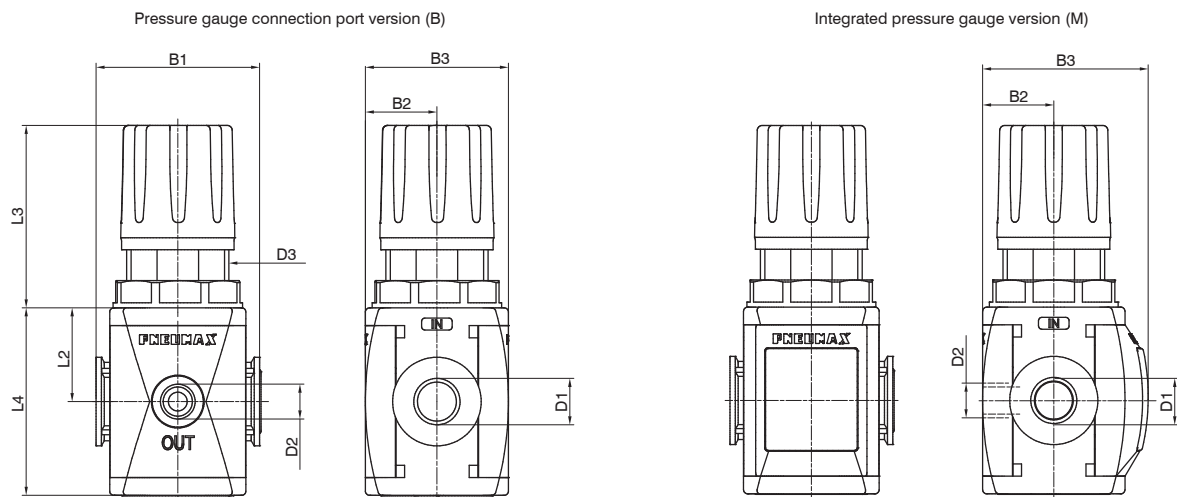
Example : T171BBD : Size 1 pressure regulator for manifold G1/4", 0 - 12 bar

Characteristic curves



2 AIR TREATMENT

Dimensions



Model	B1	B2	B3		D1	D2	D3	L2	L3	L4
			B version	M version						
#171..	48	24	42	48,5	G1/4" G1/8" 1/4" NPT	G1/8"	M30x1,5	27,5	54	55

▶ **Manifold pressure regulators**



- ▶ Manifold pressure regulators
- ▶ Available in four pressure ranges up to 12 bar
- ▶ Inlet pressure common for the whole manifold of pressure regulator
- ▶ A maximum of 6 pressure regulators can be mounted
- ▶ Atex certification (II 3GD)
- ▶ Assembly with X or Y flanges

2

AIR TREATMENT

Technical characteristics		Size	Size 1
Body and connections type		Technopolymer body, integrated technopolymer connections (T version) Technopolymer body, metal connections (N version)	
IN connections	T version	G1/4"	
	N version	G1/8" - G1/4" - 1/4" NPT	
OUT connections		G1/8"	
Assembly configuration		Stand alone Panel mounting With fixing bracket	
Assembly positions		Indifferent	
Pressure range		0-2 bar 0-4 bar 0-8 bar 0-12 bar	
Regulation		Manul push and lock with pressure Manual lockable with accessories	
Pressure measurement		G1/8" pressure gauge connection port Integrated pressure gauge (optional)	
Max. fittings torque IN / OUT connections		G1/8" metal: 15Nm G1/4" metal: 20Nm G1/4" technopolymer: 9Nm	
Max.fitting torque pressure gauge connection port		G1/8" technopolymer: 4Nm G1/8" metal: 15Nm	

Operational characteristics		Size	Size 1
Maximum working pressure		13 bar	
Minimum working pressure		0,5 bar	
Working temperature		-5°C +50°C	



Order codes

G T 17 1B M 6 C C C C C C

Version
N : Technopolymer body and metal inserts
T : Technopolymer body and thread

Size and connections
1A : Size 1 - G1/8"
1B : Size 1 - G1/4"
1C : Size 1 - 1/4" NPT only for N version

Pressure measurement options
B : G1/8" thread with flanges X
M : Integrated pressure gauge with flanges X
P : G1/8" thread with extended flanges Y
R : Integrated pressure gauge with extended flanges Y
W : G1/8" thread with flanges Y
Z : Integrated pressure gauge with flanges Y

Number of regulators
2 : n. 2 regulators
3 : n. 3 regulators
4 : n. 4 regulators
5 : n. 5 regulators
6 : n. 6 regulators

Pressure range
A : 0 - 2 bar
B : 0 - 4 bar
C : 0 - 8 bar
D : 0 - 12 bar

Pressure range
A : 0 - 2 bar
B : 0 - 4 bar
C : 0 - 8 bar
D : 0 - 12 bar

Pressure range
A : 0 - 2 bar
B : 0 - 4 bar
C : 0 - 8 bar
D : 0 - 12 bar

Pressure range
A : 0 - 2 bar
B : 0 - 4 bar
C : 0 - 8 bar
D : 0 - 12 bar

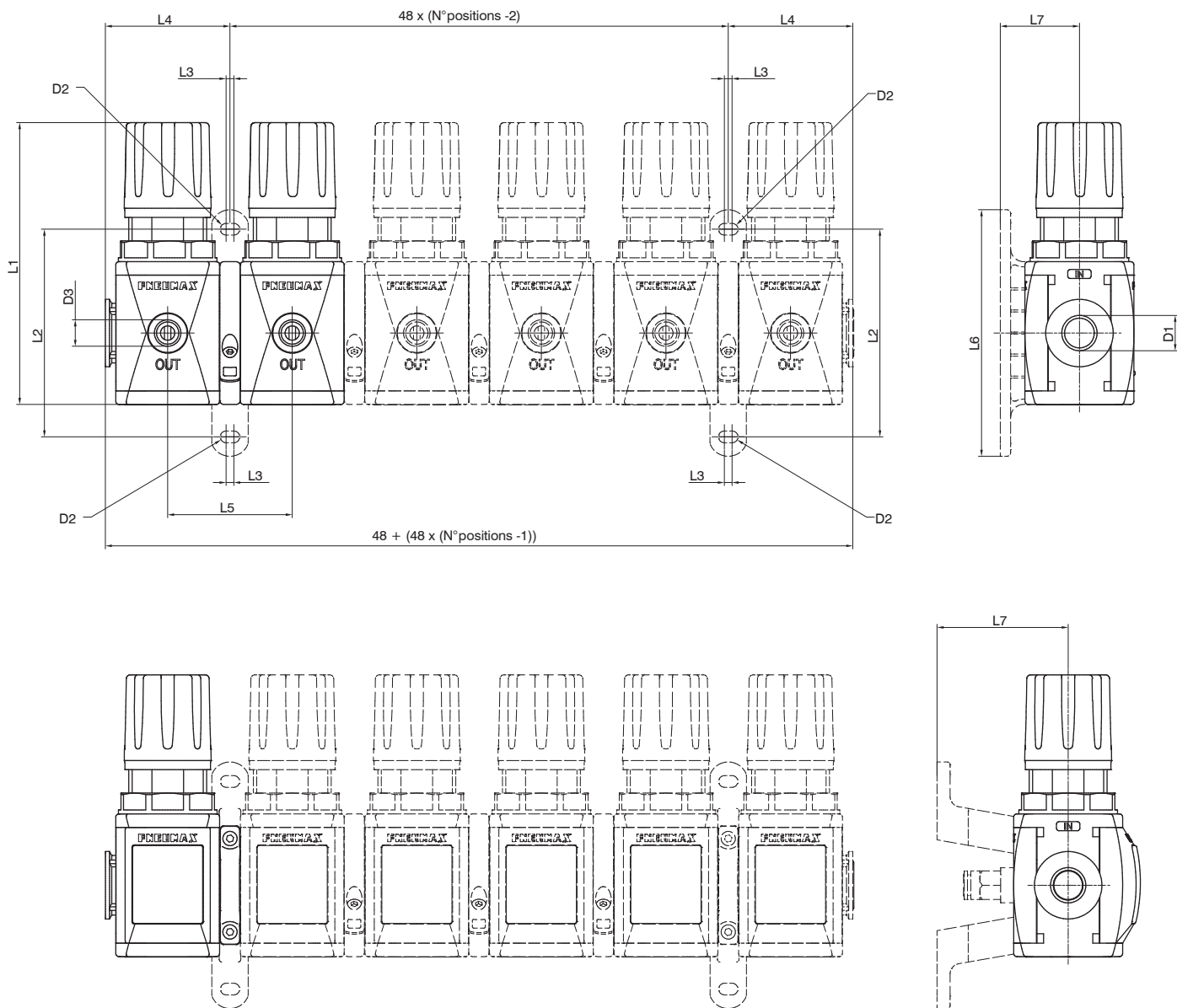
Pressure range
A : 0 - 2 bar
B : 0 - 4 bar
C : 0 - 8 bar
D : 0 - 12 bar

Pressure range
A : 0 - 2 bar
B : 0 - 4 bar
C : 0 - 8 bar
D : 0 - 12 bar

Example : T171BM6CCCCC : Size 1 manifold pressure regulators G1/4", 0 - 8 bar, integrated pressure gauge

Dimensions

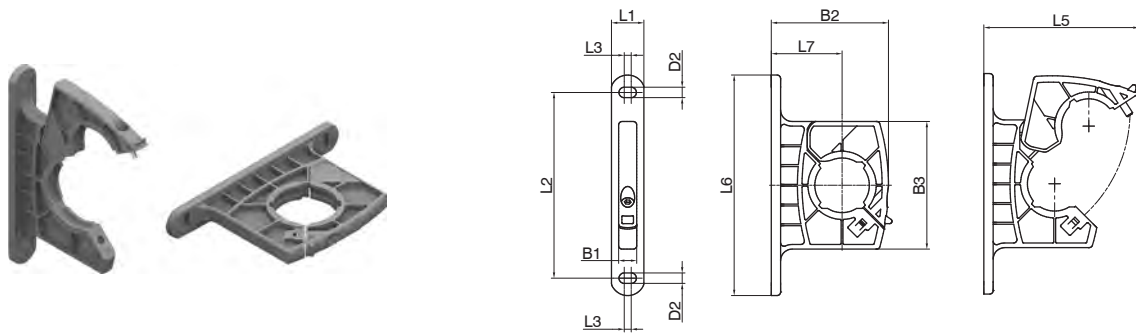
2
AIR TREATMENT



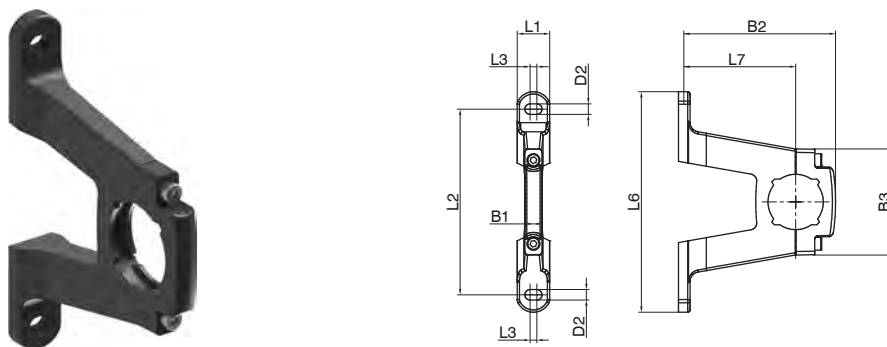
Model	D1	D2	D3	L1	L2	L3	L4	L5	L6	L7
#171..with flanges X	G1/4" G1/8" 1/4" NPT	/	G1/8"	109	/	/	48	48	/	/
#171..with flanges Y		Ø4,5			80	3			105	30,5
#171..with extended flanges Y										

▶ Manifold mounting flanges

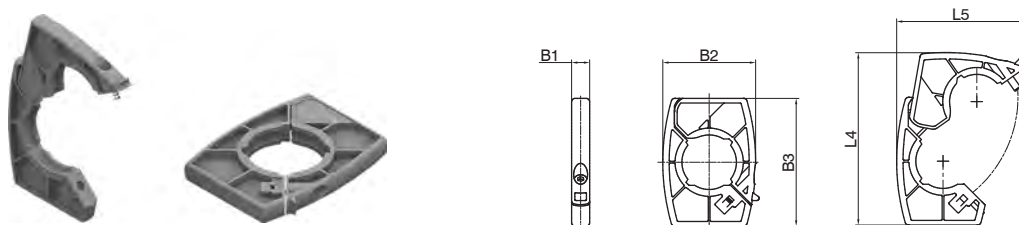
Flange Y



Extended flange Y

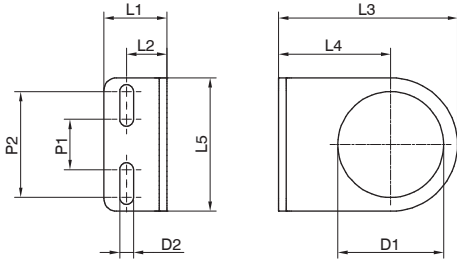


Flange X



Model	B1	B2	B3	D2	L1	L2	L3	L4	L5	L6	L7
T171Y	7,8	50,5	55	Ø4,5	14	80	3	/	66	95	30,5
N171YP		67,7	45,7	Ø4,5	14	80	3	/	66		50,5
T171X		40	55	/	/	/	/	74,5	55,5	/	/

► **Fixing bracket**



2
AIR TREATMENT

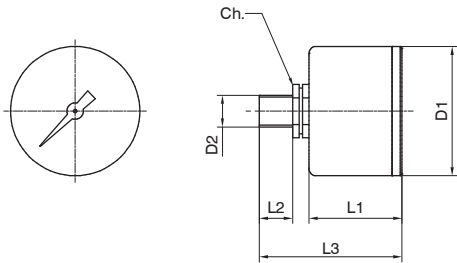
Model	L1	L2	L3	L4	L5	D1	D2	P1	P2
17150	20	13	50	30	40	30	5,5	20	30

► **Pressure gauge**

17070 **A** **C**

Version
A : Dial Ø40
B : Dial Ø50

Scale
A : 0 - 4 bar
B : 0 - 6 bar
C : 0 - 12 bar



Model	L1	L2	L3	D1	D2	Ch
17070A..	26	10	44	41	Gc - 1/8"	14
17070B..	27	10	45	49	Gc - 1/8"	14