

## NON-RETURN VALVE



- ▶ Suitable for vacuum pumps MAXI.
- ▶ To be used together with energy-saving system.

### TECHNICAL DATA

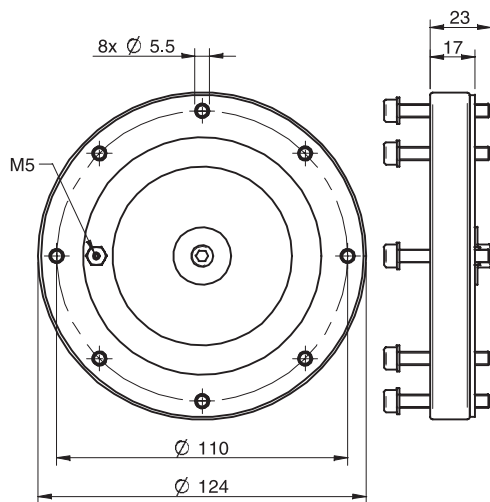
Description	Value
Material	Al, NBR, Cr, SS, CuZn, PA

### TECHNICAL DATA, SPECIFIC

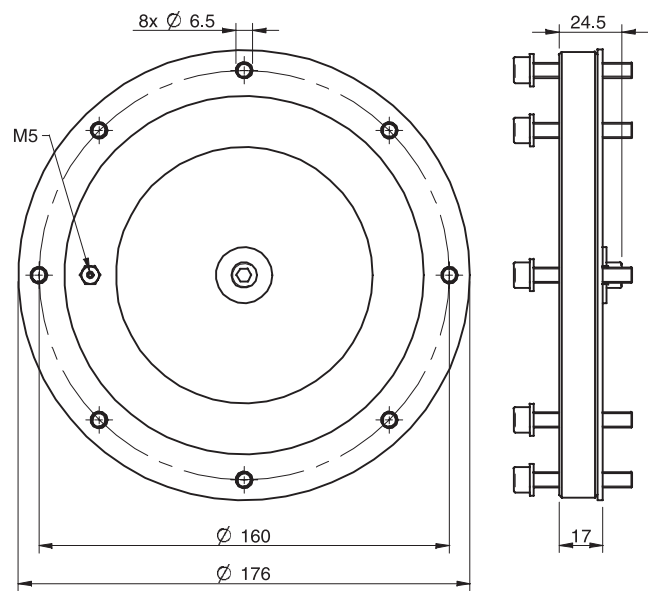
Description	Unit	3116007	3116008
Weight	g	490	970

### ORDERING INFORMATION

	Description	Art. No.
A	Non-return valve MLL200-600	3116007
B	Non-return valve MLL800-1200	3116008



A



B