

VGS™3040 WITH LEVEL COMPENSATOR



- ▶ COAX® cartridge integrated.
- ▶ Available in lock pin 16, 19 or ball joint mountings, industry standard.
- ▶ Available with level compensator to compensate for differences in level of object.

TECHNICAL DATA

Description	Unit	Value
Noise level, range	dBA	65-74
Material		Al, SS, Steel, CuZn, PU, NBR
Temperature range	°C	-10-80
Weight, LCS, range	g	674-754
Volume, internal	cm ³	13.8
Max. load, vertical	N	700
Max. load, radial	N	700
Action range, stroke	mm	50
Angular adjustability	°	0-360
Spring force, max.	N	66.7

PERFORMANCE TABLES

Depending upon choice of COAX® Cartridge, performance data of the VGS™3040 can be found in the tables for vacuum flow and evacuation time on the VGS™3040 or COAX® Cartridge datasheets.

ORDERING INFORMATION

1. Housing		VGS Code
Housing Left hand		00
Housing Right hand		01

2. COAX® cartridge		VGS Code
COAX® cartridge MINI Pi12-2		AB
COAX® cartridge MINI Pi12-3		AC
COAX® cartridge MINI Pi12-2, non-return valve		AD
COAX® cartridge MINI Pi12-3, non-return valve		AE
COAX® cartridge MINI Si08-2		AF
COAX® cartridge MINI Si08-3		AG
COAX® cartridge MINI Si08-3, non-return valve		AI
COAX® cartridge MINI Si08-2, non-return valve		AH
COAX® cartridge MINI Xi10-2		AJ
COAX® cartridge MINI Xi10-3		AK
COAX® cartridge MINI Xi10-2, non-return valve		AL
COAX® cartridge MINI Xi10-3, non-return valve		AM

3. Mounting style		VGS Code
P	Mounting Lock pin 16 mm level compensator	04
C	Mounting Lock pin 19 mm level compensator	05
I	Mounting Ball joint level compensator	06
A	Mounting Extrusion mount level compensator	07
	Mounting Profile mount	08

For detailed information on Profile mount, see separate datasheet.

4. Energy saving		VGS Code
No energy saving		AA
Energy saving Vacustat 65 -kPa		AB
Energy saving Vacustat, Adjustable (factory set at 45 -kPa)		AC

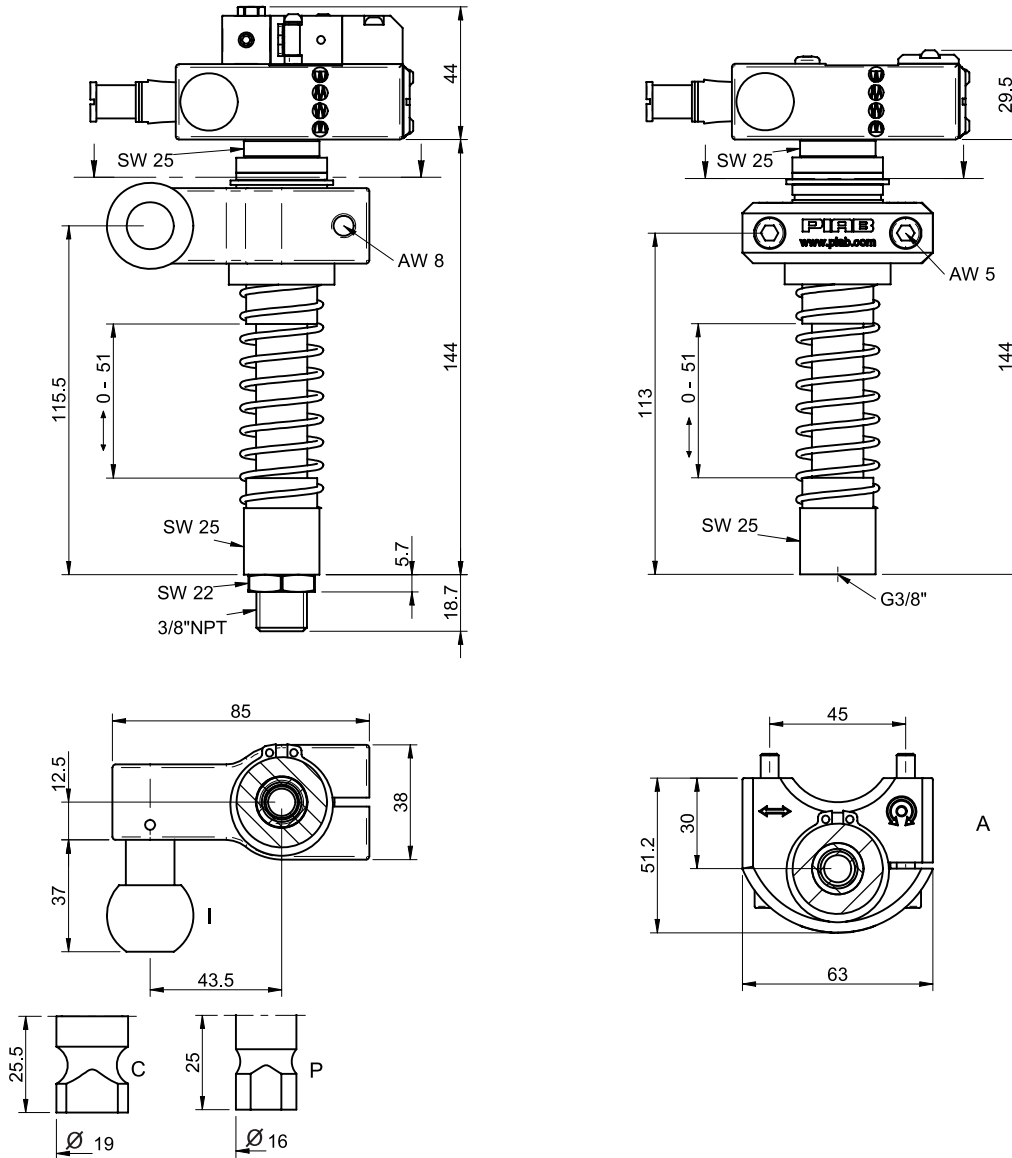
For detailed information on Vacustat, see separate datasheet.

5. Release function	VGS Code
Release Blow-off	01
Release AQR 02 internal	02
Release AQR 02 external	03

For detailed information on Blow-off and AQR 02, see separate datasheets.

6. Vacuum connection	VGS Code
G3/8" female	AA
G3/8" male - 3/8" NPT male adapter	AB

Example	Ordering number
VGS™3040 with left hand housing, COAX® cartridge MINI Pi 12-2, mounting lock pin 16mm level compensator LCS200, no energy saving, release blow-off, G3/8" female vacuum connection	VGS3040 00 AB 04 AA 01 AA



All drawings are of left-handed tooling.

Vacuum grippers VGS™3040