

VGS™3010 LC30



- ▶ Patented COAX® technology
- ▶ The LC30 is tailor-made as a mounting option for the Vacuum Gripper System, VGS™, but can also be used with other PIAB products.
- ▶ Developed for use with standard profile systems.
- ▶ Easy installation with the option of fine adjustments and positioning of the suction cup.
- ▶ Non-rotational for use with, for example, oval suction cups.
- ▶ Reliable level compensation with load protection and shock absorption.

TECHNICAL DATA

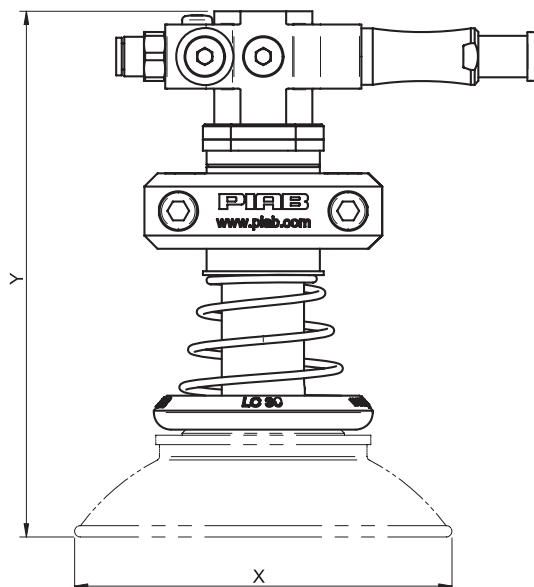
Description	Unit	Value
Feed pressure, max.	MPa	0.7
Noise level	dBA	65–74
Temperature range	°C	10–50
Weight range	g	299–578
Material		PP, PA, NBR, AL, SS, PU
Spring force	N	5–42
Stroke	mm	30
Volume LC30, internal	cm ³	5
Maximum load, vertical	N	700
Adjustable in height	mm	12
Adjustable in rotational direction	°	0–360

ORDERING INFORMATION

1. COAX® cartridge		Code
	No COAX® cartridge (slave unit)	AA
b	COAX® cartridge MINI Pi12-2	AB
a	COAX® cartridge MINI Pi12-3	AC
c	COAX® cartridge MINI Pi12-2, non-return valve	AD
d	COAX® cartridge MINI Pi12-3, non-return valve	AE
b	COAX® cartridge MINI Si08-2	AF
a	COAX® cartridge MINI Si08-3	AG
c	COAX® cartridge MINI Si08-2, non-return valve	AH
d	COAX® cartridge MINI Si08-3, non-return valve	AI
b	COAX® cartridge MINI Xi10-2	AJ
a	COAX® cartridge MINI Xi10-3	AK
c	COAX® cartridge MINI Xi10-2, non-return valve	AL
d	COAX® cartridge MINI Xi10-3, non-return valve	AM
2. LC30		VGS code
	Level compensator LC30	15

LC 30 is delivered with two MC6S M6x45 fzb screws.

3. Suction cups with fitting	Y	X	VGS Code
No suction cup	111	—	BA
B75P 30°/60° Shore A	149.8	Ø79	BB
B75P 60° Shore A	149.8	Ø79	BC
BF80P 30°/50° Shore A	147.5	Ø84	BD
BF80P 60° Shore A	147.5	Ø84	BE
BX35P 30°/60° Shore A	143.8	Ø37	BF
BX35P 60° Shore A	143.8	Ø37	BG
BX52P 30°/60° Shore A	156	Ø53	BH
BX52P 60° Shore A	156	Ø53	BI
BX75P 30°/60° Shore A	162.7	Ø77.5	BJ
BX75P 60° Shore A	162.7	Ø77.5	BK
F75P 30°/60° Shore A	125.5	Ø77	BL
F75P 60° Shore A	125.5	Ø77	BM
F110P 30°/60° Shore A	131.5	Ø115	BN
F110P 60° Shore A	131.5	Ø115	BO
FC50P 40° Shore A	134.5	Ø50	BP
FC50P 60° Shore A	134.5	Ø50	BQ
FC75P 40° Shore A	135	Ø75	BR
FC75P 60° Shore A	135	Ø75	BS
FC100P 40° Shore A	139.5	Ø100	BT
FC100P 60° Shore A	139.5	Ø100	BU
OBL40x90P 70° Shore A	175	45x95	BV
OB35X90P PU30°/60° Shore A	138.25	42.4x97.4	CA
OB35X90P PU60° Shore A	138.25	42.4x97.4	CB
OB50X140P PU30°/60° Shore A	145.5	59x149	CC
OB50X140P PU60° Shore A	145.5	59x149	CD
OB65X170P PU30°/60° Shore A	152.5	76x181	CE
OB65X170P PU60° Shore A	152.5	76x181	CF
OF25X70P PU40° Shore A	124	27.3x72.3	CG
OF25X70P PU60° Shore A	124	27.3x72.3	CH
OF40X110P PU40° Shore A	128.5	43x113	CI
OF40X110P PU60° Shore A	128.5	43x113	CJ
OF55X150P PU40° Shore A	132	59x154	CK
OF55X150P PU60° Shore A	132	59x154	CL
OF70X175P PU40° Shore A	136	75x180	CM
OF70X175P PU60° Shore A	136	75x180	CN



For more information about LC30, see separate data sheet in SUCTION CUPS ACCESSORIES.